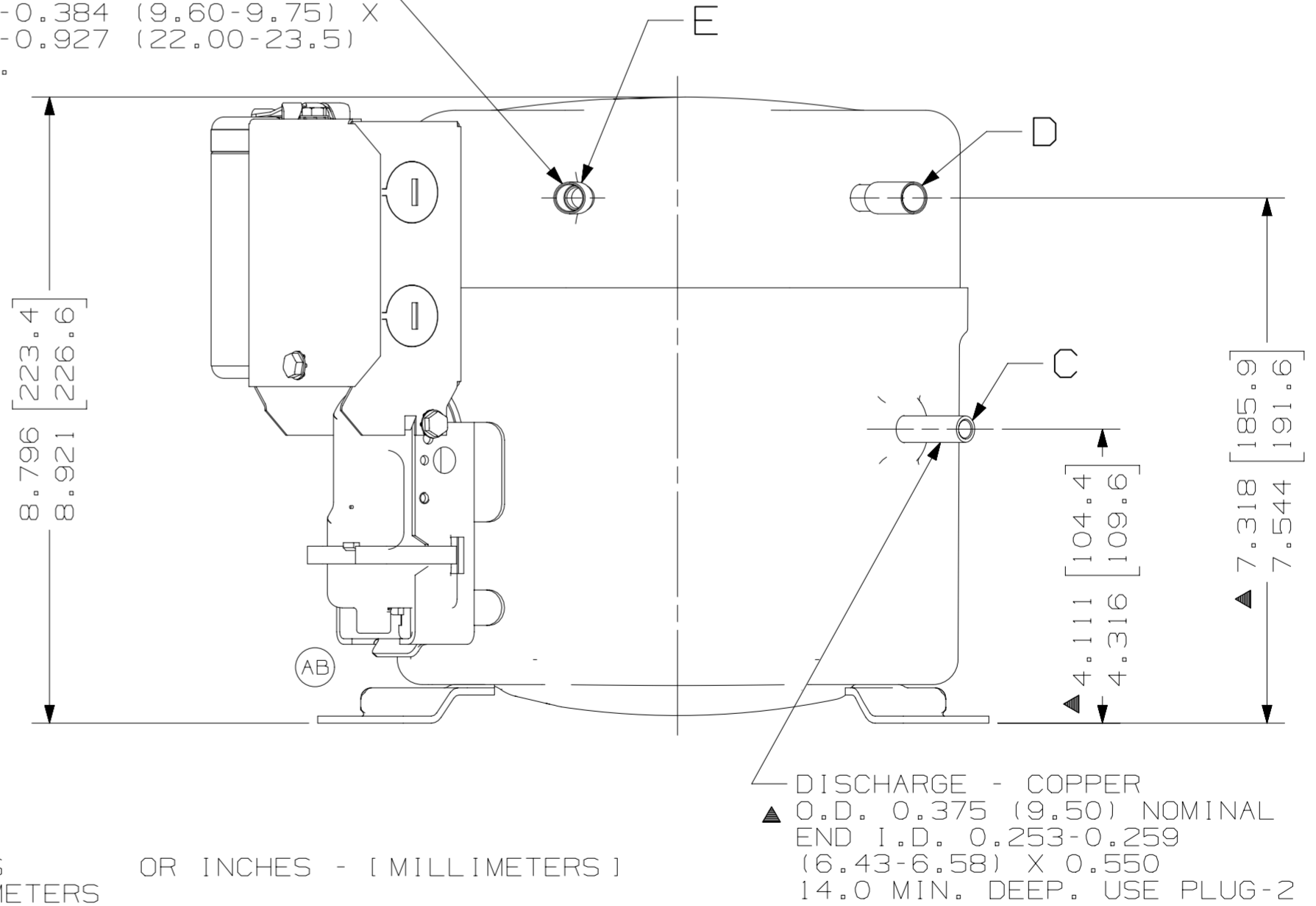
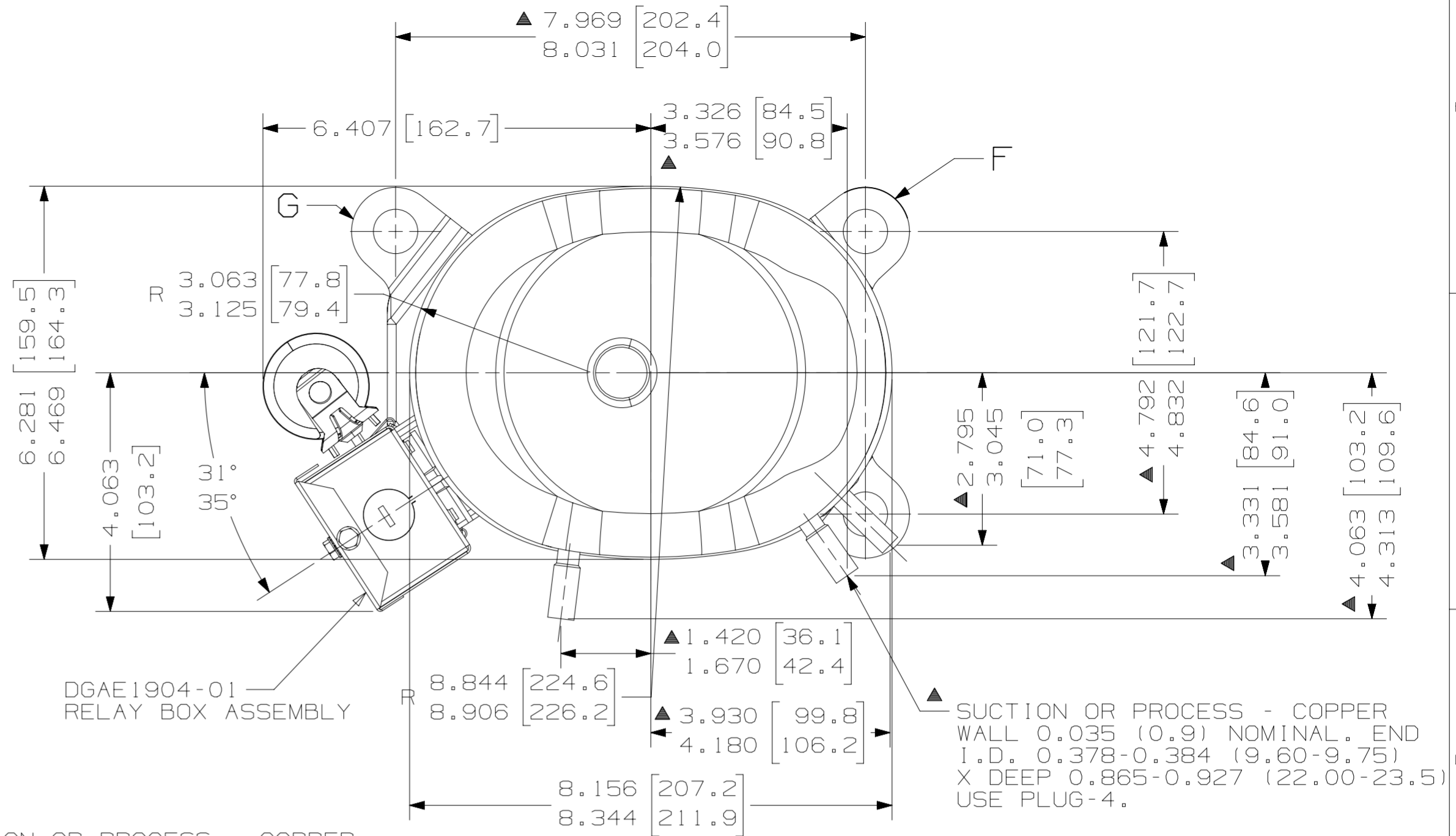


| ITEM | PART NUMBER |
|------|-------------|
| A | AKU1008 |
| B | AKL1016 |
| C | 34719 |
| D | 34718 |
| E | 34718 |
| F | 280-10010 |
| G | 280-10011 |

NOTES

- 1- IF SPECIFIED ON BILL OF MATERIAL ASSEMBLE THE COMPONENTS AS SHOW.
- 2- SEE COMPONENT DRAWINGS FOR DIMENTIONS NOT SHOW.
- ▲ 3- MUST COMPLY WITH TECUMSEH GLOBAL ESPEC-8.



DIMENSIONING= INCHES OR INCHES - (MILLIMETERS)
MILLIMETERS

| | | |
|--|-----------------------------|-------|
| EC102901 17-02-22 GM. MS. | EC05411 PS-11-20 P.20 | DATE |
| ALTERADO PROTETOR ERA: 108-10072 | LIBERACAO | |
| AB B3 | AA | LT LC |
| <p>THIS DRAWING OR PRINT (1) IS THE PROPERTY OF TECUMSEH DO BRASIL LTDA. AND CONTAINS PROPRIETARY AND CONFIDENTIAL INFORMATION BELONGING TO TECUMSEH DO BRASIL. IT IS TO BE USED ONLY FOR THE SPECIFIC PROJECT, EXPRESS AND SPECIFIC CONDITION THAT NET-HERON OR DISCLOSED OR MADE AVAILABLE TO OTHERS WITHOUT THE EXPRESS AND SPECIFIC WRITTEN CONSENT OF TECUMSEH DO BRASIL AND SHALL REMAIN THE PROPERTY OF TECUMSEH DO BRASIL AND NOT OTHERWISE (1) IT SHALL NOT BE COPIED OR TO ANY EXTENT WITH-OUT TECUMSEH DO BRASIL PRIOR EXPRESS AND SPECIFIC WRITTEN CONSENT AND (2) IT SHALL BE RETURNED BY THE RECIPIENT LATTER'S REQUEST PROMPTLY AFTER SUCH REQUEST IS MADE.</p> <p>DO NOT SCALE THIS DRAWING. ALL FER-ROUS MATERIALS MUST NOT BE MAGNETIZED AS RECEIVED OR AT COMPRESSOR ASSEMBLY</p> | | |
| THIRD ANGLE PROJECTION | | |
| UNITS: mm | | |
| DRAWING SIZE: A2 | | |
| <p>0. A SYMBOLS AS PROCEDURE 2.01.031 TECUMSEH OF BRAZIL</p> <p>★ = CATEGORY I ▲ = CATEGORY II ■ = CATEGORY III □ = CATEGORY IV</p> | | |

| | | | | | |
|-----------------|--|-------------------------|--|----------------|--|
| | | <p>SALES COMPRESSOR</p> | | <p>DCAKA32</p> | |
| <p>NAME</p> | | <p>SCALE</p> | | <p>PAGE</p> | |
| <p>DATE</p> | | <p>REF.</p> | | <p>FAMILY</p> | |
| <p>21-04-20</p> | | <p>1:2</p> | | <p>1/1</p> | |
| | | | | <p>AK</p> | |