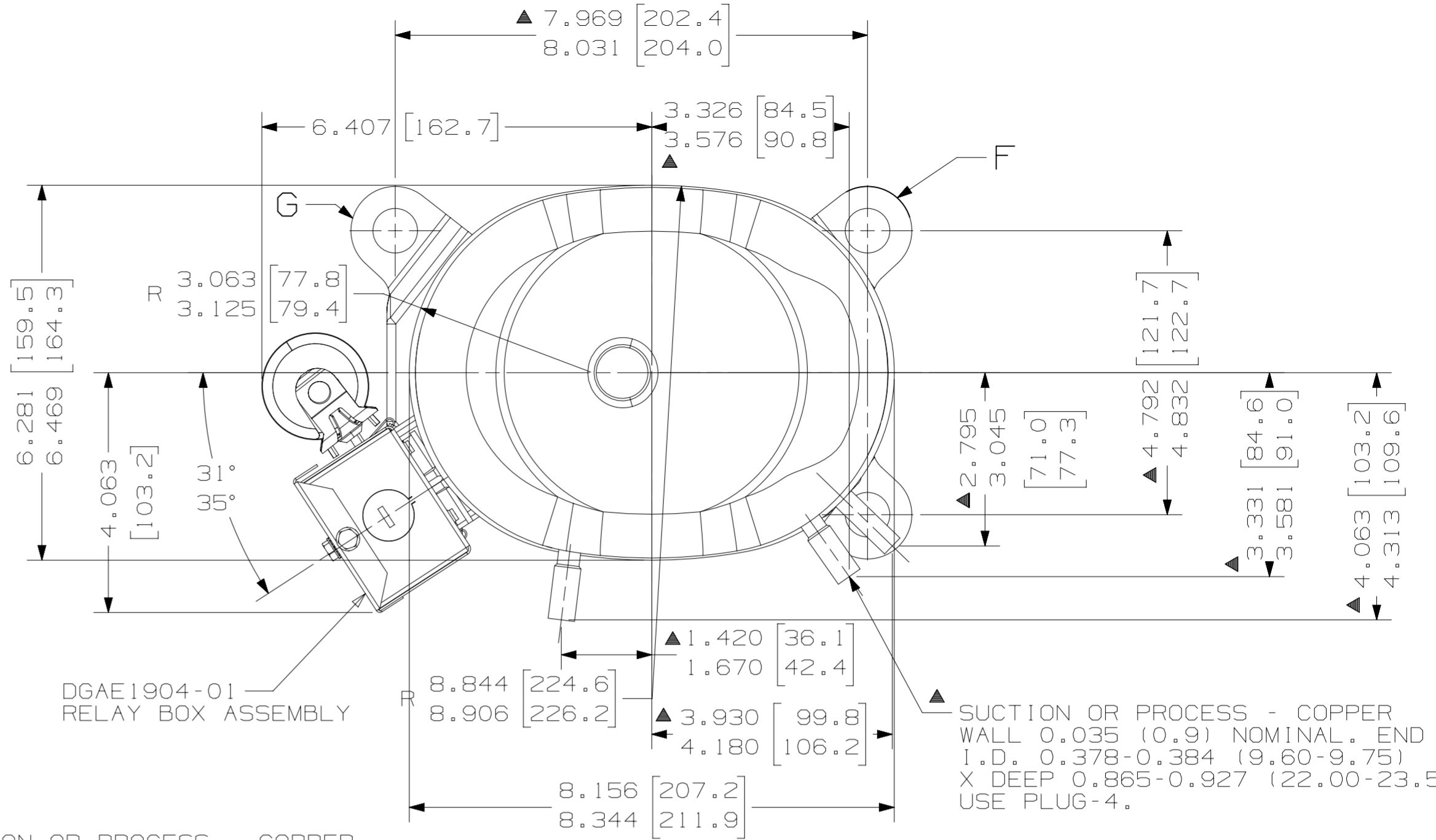


ITEM	PART NUMBER
A	AKU1008
B	AKL1016
C	34719
D	34718
E	34718
F	280-10010
G	280-10011

**NOTES**

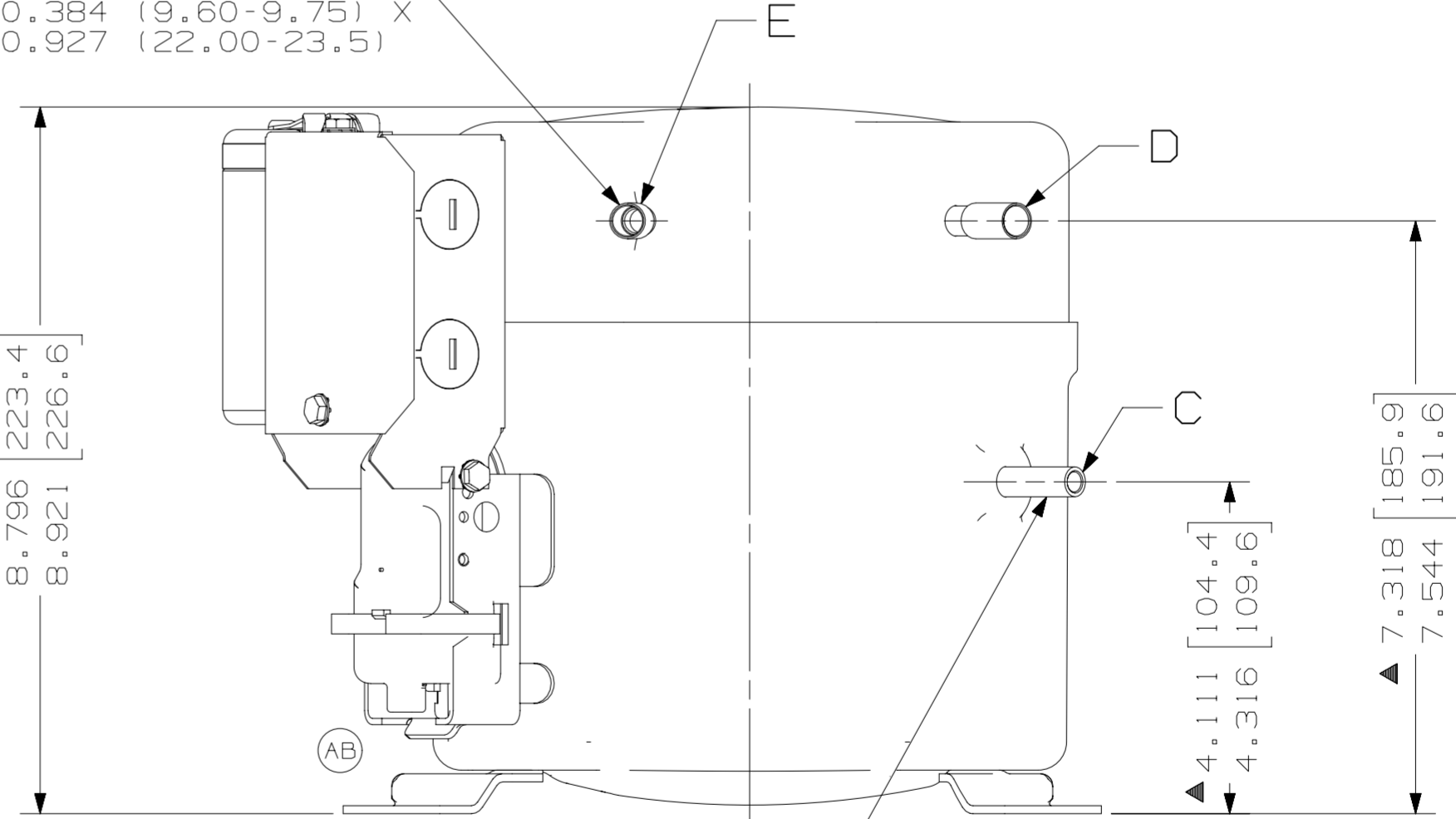
- 1- IF SPECIFIED ON BILL OF MATERIAL ASSEMBLE THE COMPONENTS AS SHOW.
- 2- SEE COMPONENT DRAWINGS FOR DIMENTIONS NOT SHOW.
- ▲ 3- MUST COMPLY WITH TECUMSEH GLOBAL ESPEC-8.



▲ SUCTION OR PROCESS - COPPER  
WALL 0.035 (0.9) NOMINAL. END  
I.D. 0.378-0.384 (9.60-9.75) X  
DEEP 0.865-0.927 (22.00-23.5)  
USE PLUG-4.

DISCHARGE - COPPER  
▲ 0.375 (9.50) NOMINAL  
END I.D. 0.253-0.259  
(6.43-6.58) X 0.550  
(14.0 MIN. DEEP. USE PLUG-2)

DIMENSIONING= INCHES OR INCHES - (MILLIMETERS)  
MILLIMETERS



		<b>SALES COMPRESSOR</b>		PART NO. DCAKA32	
NAME: SALES COMPRESSOR		SCALE: 1:2		PAGE: 1/1	
DATE: 21-04-20		REF.		FAMILY: AK	

EC102901 17-02-22 GM. MS.	EC05411 13-11-20 P.	DATE
ALTERADO PROTETOR ERA: 108-10072	LIBERACAO	CHANGE
AB B3	AA	L/T LC

THIS DRAWING OR PRINT (1) IS THE PROPERTY OF TECUMSEH DO BRASIL LTDA. AND CONTAINS PROPRIETARY AND CONFIDENTIAL INFORMATION BELONGING TO TECUMSEH DO BRASIL. IT IS TO BE USED ONLY FOR THE SPECIFIC CONDITION THAT IT IS PRINTED FOR. IT IS NOT TO BE REPRODUCED, COPIED, EITHER IN WHOLE OR IN PART, OR DISCLOSED OR MADE AVAILABLE TO OTHERS WITHOUT THE EXPRESS AND SPECIFIC WRITTEN CONSENT OF TECUMSEH DO BRASIL AND WITHOUT THE WRITTEN CONSENT OF THE SUPPLIER. ANY VIOLATION OF THESE TERMS SHALL BE CAUSE FOR IMMEDIATE ACTION BY TECUMSEH DO BRASIL AND NOT OTHERWISE. (1/1) SHALL NOT BE COPIED OR TO ANY EXTENT WITHOUT TECUMSEH DO BRASIL PRIOR EXPRESS AND SPECIFIC WRITTEN CONSENT AND (1/1) SHALL BE RETURNED BY THE RECIPIENT LATTER'S REQUEST PROMPTLY AFTER SUCH REQUEST IS MADE.

DO NOT SCALE THIS DRAWING. ALL FERROUS MATERIALS MUST NOT BE MAGNETIZED AS RECEIVED OR AT COMPRESSOR ASSEMBLY

THIRD ANGLE PROJECTION

UNITS: mm  
DRAWING SIZE: A2

0. A SYMBOLS AS PROCEDURE 2.01.031 TECUMSEH OF BRAZIL

- ★ = CATEGORY I
- ▲ = CATEGORY II
- = CATEGORY III
- = CATEGORY IV