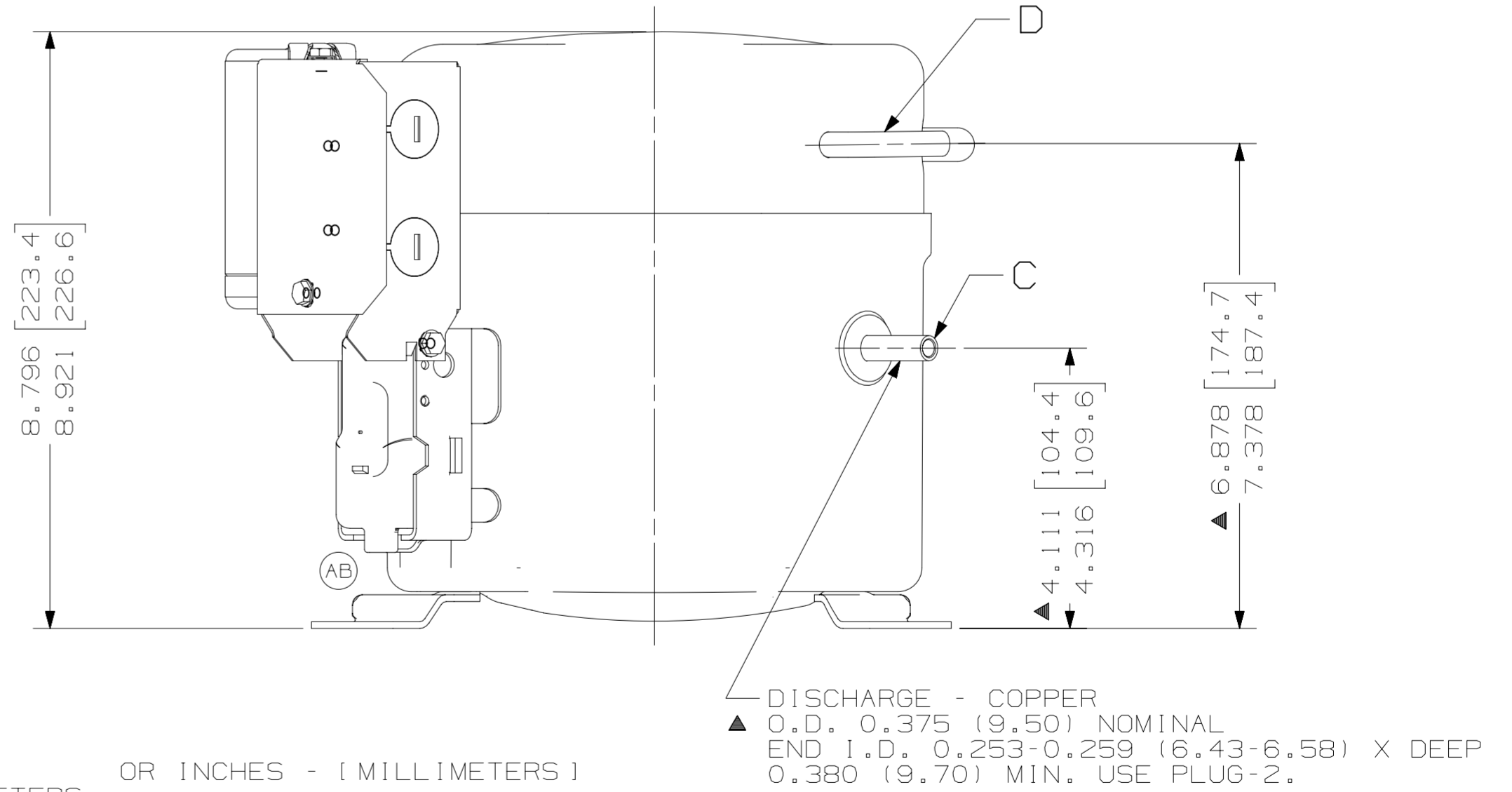


ITEM	PART NUMBER
A	AKU1016
B	AKL1016
C	34719
D	34888
E	34439
F	280-10010
G	280-10011

NOTES

- 1- IF SPECIFIED ON BILL OF MATERIAL ASSEMBLE THE COMPONENTS AS SHOW.
- 2- SEE COMPONENT DRAWINGS FOR DIMENTIONS NOT SHOW.
- ▲ 3- MUST COMPLY WITH TECUMSEH GLOBAL ESPEC-8.

DIMENSIONING= INCHES OR INCHES - [MILLIMETERS]  
MILLIMETERS



REV	DATE	DESCRIPTION
EC102901	17-02-22	ALTERADO PROTETOR DE TERMINAIS DE ENR. 100-10072
EC05424	13-11-20	LIBERACAO

THIRD ANGLE PROJECTION  
UNITS: mm  
DRAWING SIZE: A2  
0. A. SYMBOLS AS PROCEDURE 2.01.031 TECUMSEH OF BRAZIL  
★ = CATEGORY I  
▲ = CATEGORY II  
■ = CATEGORY III  
□ = CATEGORY IV

SALES COMPRESSOR  
DCAKA47  
SCALE 1:2  
PAGE 1/1  
FAMILY AK  
DATE 16-04-20  
REF.