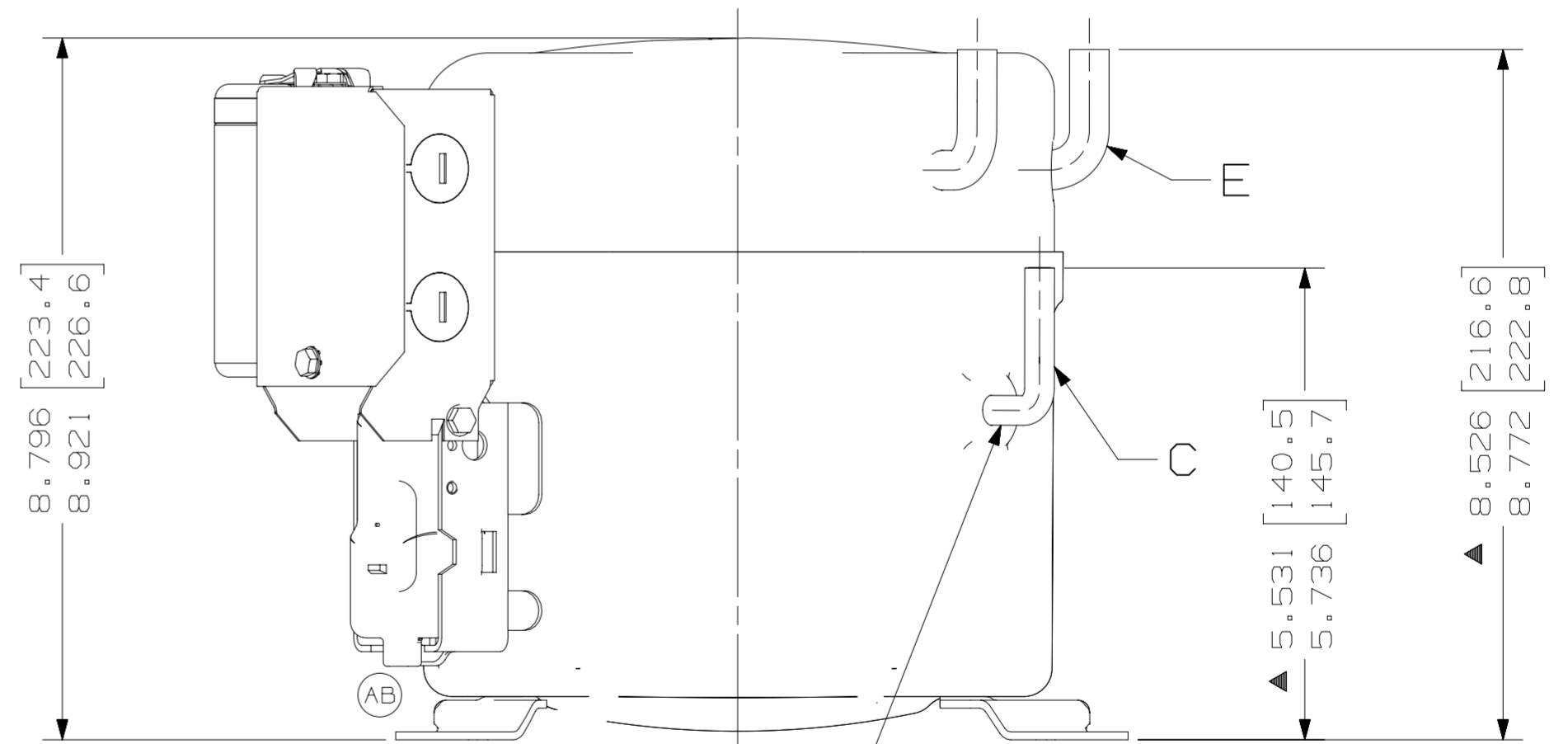


ITEM	PART NUMBER
A	AKU1020
B	AKL1019
C	34525
D	34439
E	34439
F	280-10011
G	280-10010

NOTES

- 1- IF SPECIFIED ON BILL OF MATERIAL ASSEMBLE THE COMPONENTS AS SHOW.
- 2- SEE COMPONENT DRAWINGS FOR DIMENTIONS NOT SHOW.
- ▲ 3- MUST COMPLY WITH TECUMSEH GLOBAL ESPEC-8.

DIMENSIONING= INCHES OR INCHES - [MILLIMETERS]
MILLIMETERS



DISCHARGE - COPPER
▲ O.D. 0.375 (9.50) NOMINAL
END I.D. 0.253-0.259 (6.43-6.58)
USE PLUG-2.

THIRD ANGLE PROJECTION
UNITS: mm
DRAWING SIZE: A2
0. A. SYMBOLS AS PROCEDURE 2.01.031 TECUMSEH OF BRAZIL
★ = CATEGORY I
▲ = CATEGORY II
■ = CATEGORY III
□ = CATEGORY IV



NAME	SALES COMPRESSOR	PART NO.	DCAKB37
SCALE	1:2	PAGE	1/1
DATE	22-04-20	FAMILY	AK

REV.	DESCRIPTION	DATE
EC102901	ALTERADO PROTETOR DE TERNANUS DEB-108-10072	17-02-22
EC95416	LIBERACAO	03-11-20

THIS DRAWING OR PRINT (1) IS THE PROPERTY OF TECUMSEH DO BRASIL LTDA. AND CONTAINS PROPRIETARY AND CONFIDENTIAL INFORMATION BELONGING TO TECUMSEH DO BRASIL. IT IS TO BE KEPT IN STRICTLY CONFIDENTIAL AND EXPRESS AND SPECIFIC CONDITION THAT NEITHER IT NOR THE INFORMATION CONTAINED THEREON OR DISCLOSED OR MADE AVAILABLE TO OTHERS WITHOUT THE EXPRESS AND SPECIFIC WRITTEN CONSENT OF TECUMSEH DO BRASIL AND SHALL BE RETURNED TO TECUMSEH DO BRASIL AS SOON AS POSSIBLE AFTER THE WORK IS COMPLETED. ANY REPRODUCTION OR USE OF THIS DRAWING OR PRINT WITHOUT THE EXPRESS AND SPECIFIC WRITTEN CONSENT AND (1) SHALL BE RETURNED BY THE RECIPIENT LATTER'S REQUEST PROMPTLY AFTER SUCH REQUEST IS MADE.