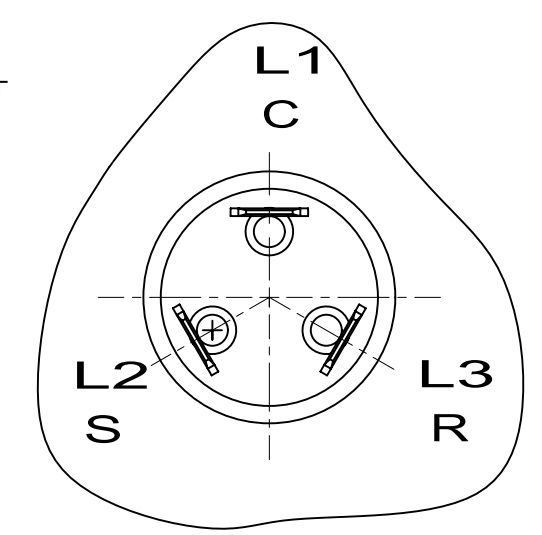
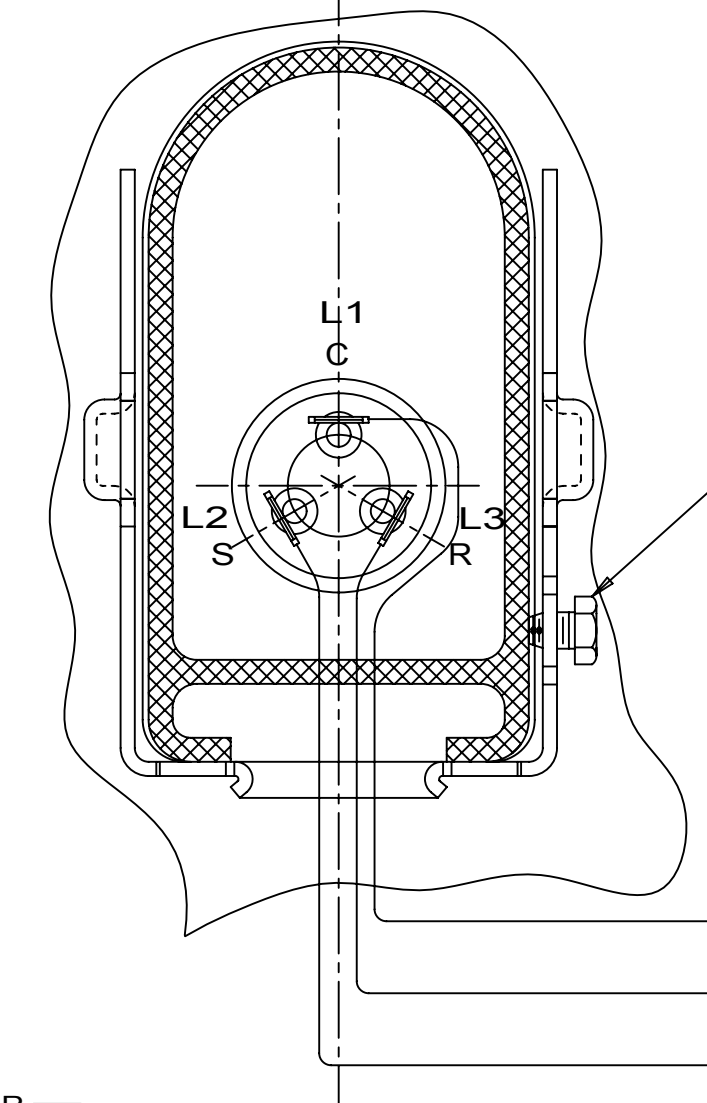
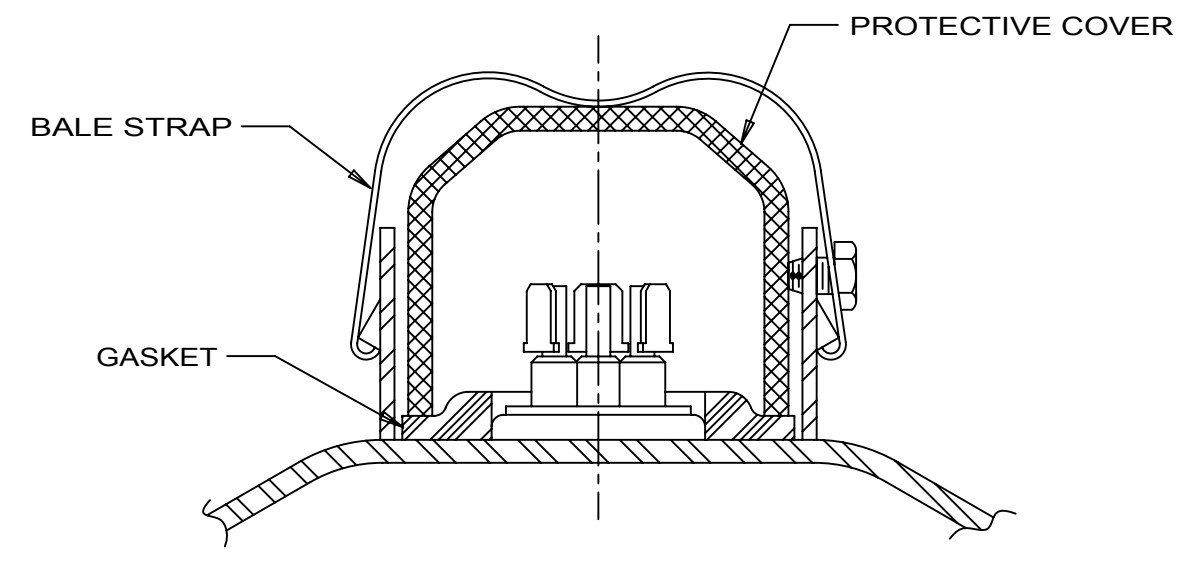


CRANKCASE HEATER LEADS. THE PATH OF THESE LEADS (FROM CRANKCASE HEATER TO PROTECTIVE COVER) TO BE IN A CLOCKWISE DIRECTION TO AVOID CONTACT WITH DISCHARGE TUBE.

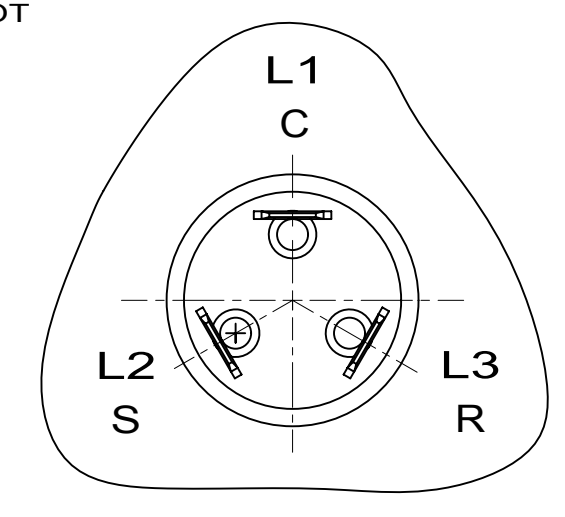
COMPRESSOR UNIT GROUND (SCREW IS NOT PROVIDED BY T.P. CO.)



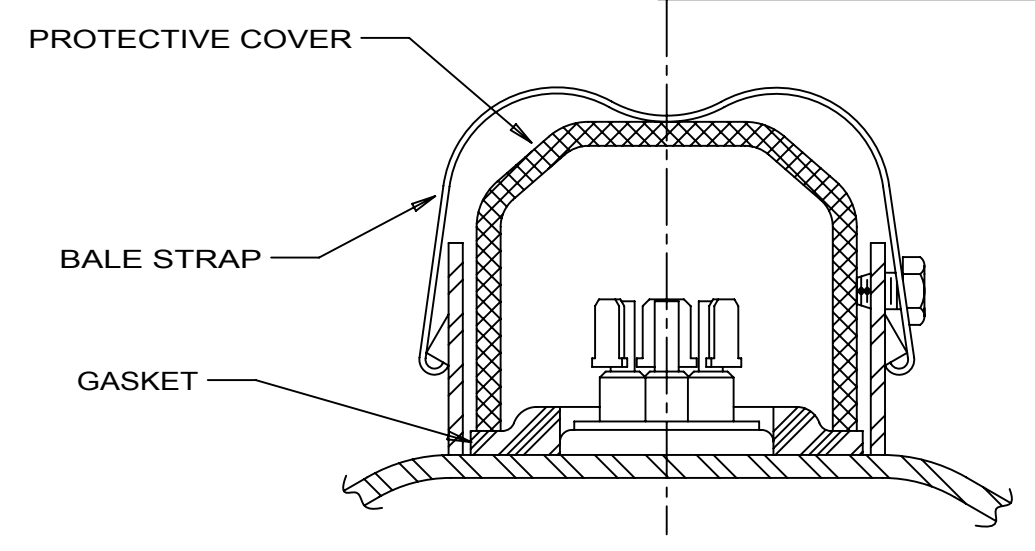
TERMINAL MAY BE THIS SIZE



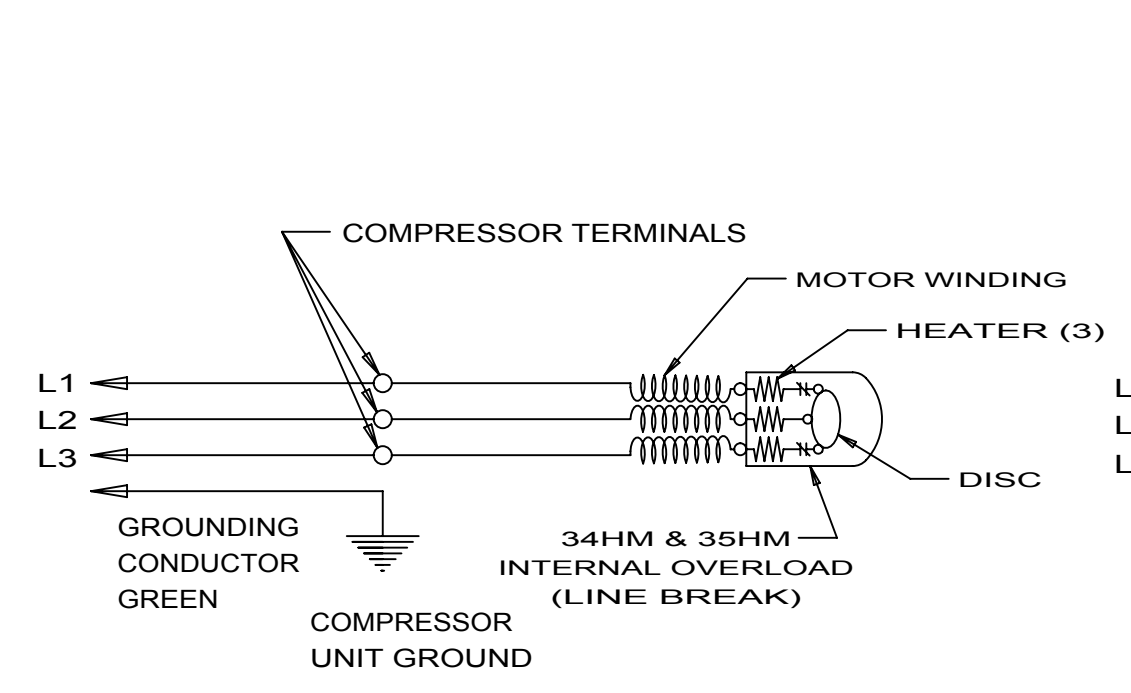
COMPRESSOR UNIT GROUND (SCREW IS NOT PROVIDED BY T.P. CO.)



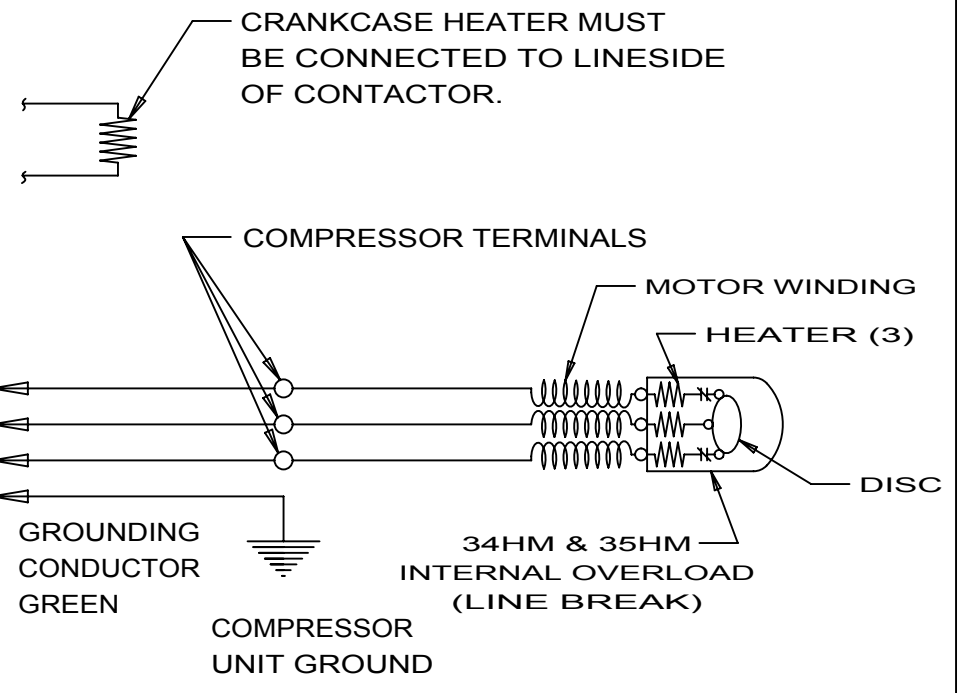
TERMINAL MAY BE THIS SIZE



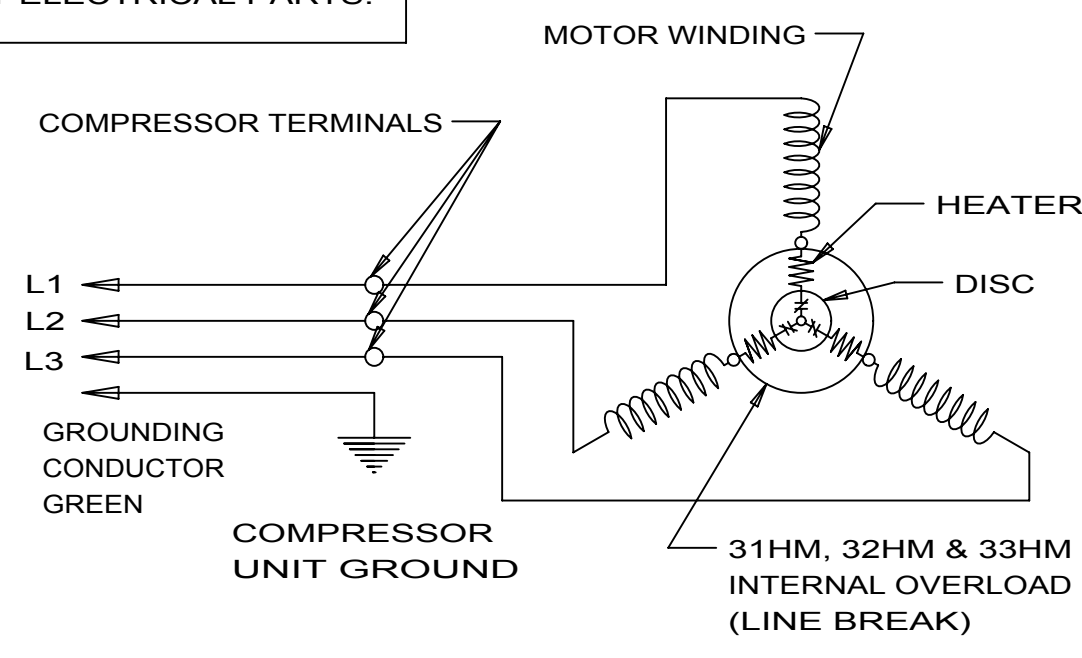
**WARNING - WIRING DIAGRAM MUST BE FOLLOWED AS SHOWN. ANY MISWIRING CAN CAUSE SERIOUS ELECTRICAL HAZARD AND POTENTIAL DAMAGE OR RUPTURE OF COMPONENT ELECTRICAL PARTS.**



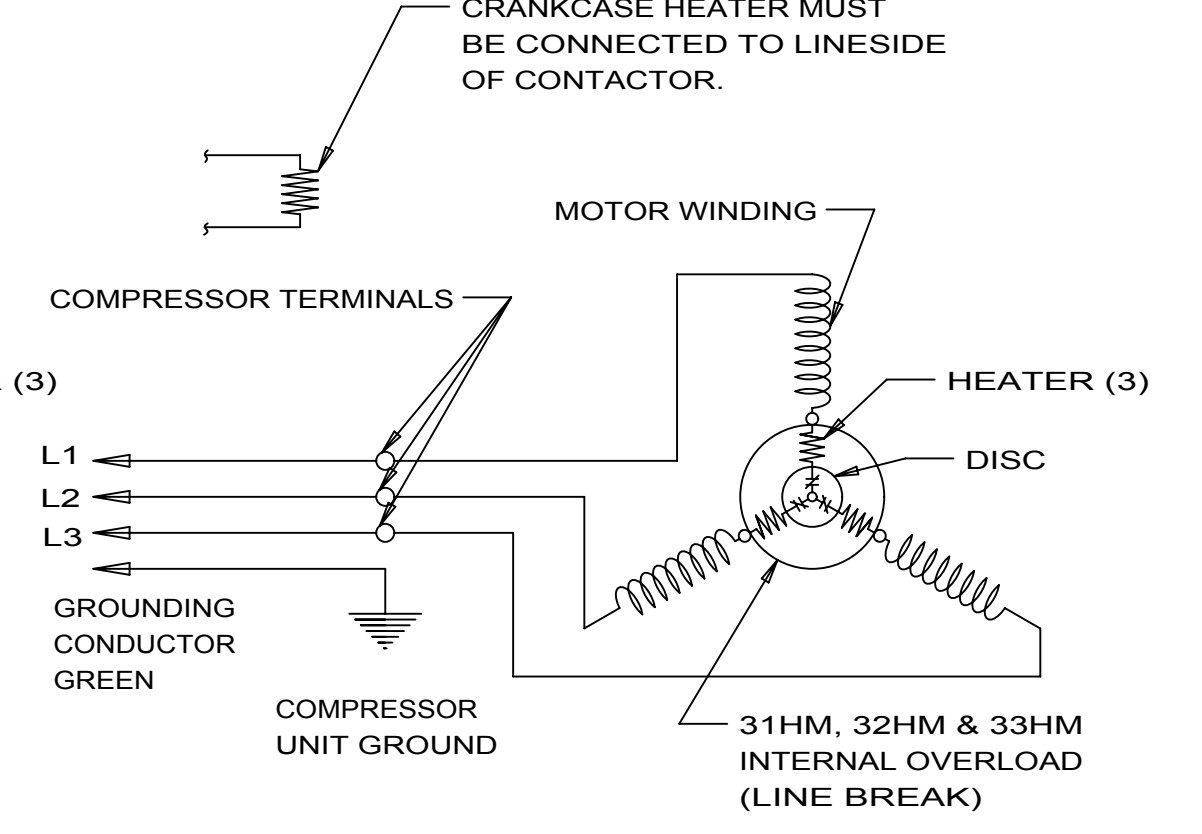
SCHMATIC WIRING DIAGRAM - 3 PHASE INTERNAL OVERLOAD (LINE BREAK)  
REF DWG MD472-24



SCHMATIC WIRING DIAGRAM - 3 PHASE INTERNAL OVERLOAD AND (LINE BREAK)  
REF DWG MD472-43



SCHMATIC WIRING DIAGRAM - 3 PHASE INTERNAL OVERLOAD (LINE BREAK)  
REF DWG MD472-24



SCHMATIC WIRING DIAGRAM - 3 PHASE INTERNAL OVERLOAD (LINE BREAK) AND CRANKCASE HEATER. REF DWG MD472-43

AW - 3 PHASE - INTERNAL OVERLOAD (LINE BREAK) - CRANKCASE HATER.  
AW - 3 PHASE - INTERNAL OVERLOAD (LINE BREAK).

Q.A. SYMBOLS

D	RDS	17JUL09	T.M.G	5DEC03	SJS	4/16/97	DATE	THIS DRAWING OR PRINT (IS THE PROPERTY OF TECUMSEH PRODUCTS COMPANY AND IS TO BE USED ONLY FOR THE PROJECT AND LOCATION SPECIFICALLY IDENTIFIED IN THE DRAWING. ANY REUSE, REPRODUCTION, OR DISTRIBUTION OF THIS DRAWING OR PRINT WITHOUT THE EXPRESS WRITTEN CONSENT AND (IV) APPROVED IN WRITING BY TECUMSEH PRODUCTS COMPANY IS STRICTLY PROHIBITED. THE USER SHALL BE RESPONSIBLE FOR OBTAINING ALL NECESSARY PERMITS AND APPROVALS FROM ALL OTHERS WITHOUT THE EXPRESS AND WRITTEN CONSENT OF TECUMSEH PRODUCTS COMPANY. THIS DRAWING IS THE PROPERTY OF TECUMSEH PRODUCTS COMPANY AND IS TO BE USED ONLY FOR THE PROJECT AND LOCATION SPECIFICALLY IDENTIFIED IN THE DRAWING. ANY REUSE, REPRODUCTION, OR DISTRIBUTION OF THIS DRAWING OR PRINT WITHOUT THE EXPRESS WRITTEN CONSENT AND (IV) APPROVED IN WRITING BY TECUMSEH PRODUCTS COMPANY IS STRICTLY PROHIBITED. THE USER SHALL BE RESPONSIBLE FOR OBTAINING ALL NECESSARY PERMITS AND APPROVALS FROM ALL OTHERS WITHOUT THE EXPRESS AND WRITTEN CONSENT OF TECUMSEH PRODUCTS COMPANY.	DIS.CODE	ELECTRICAL HOOK-UP							
	EC26258 CHANGED L2 & L3	#242665-000 REVISED WIRING DIAGRAM UPDATED TO NX								#235647 ADDED NOTE	#227799 REDRAWN NO CHANGE	AW	DWN: R.M.D.	CK:	APR:	SCALE: 1"=1"	THIS PRINT SUPERSEDES ALL PRINTS PRIOR TO
	6D	8B								2F	5F	AW	MATERIAL				PART NO. DEAW-2