

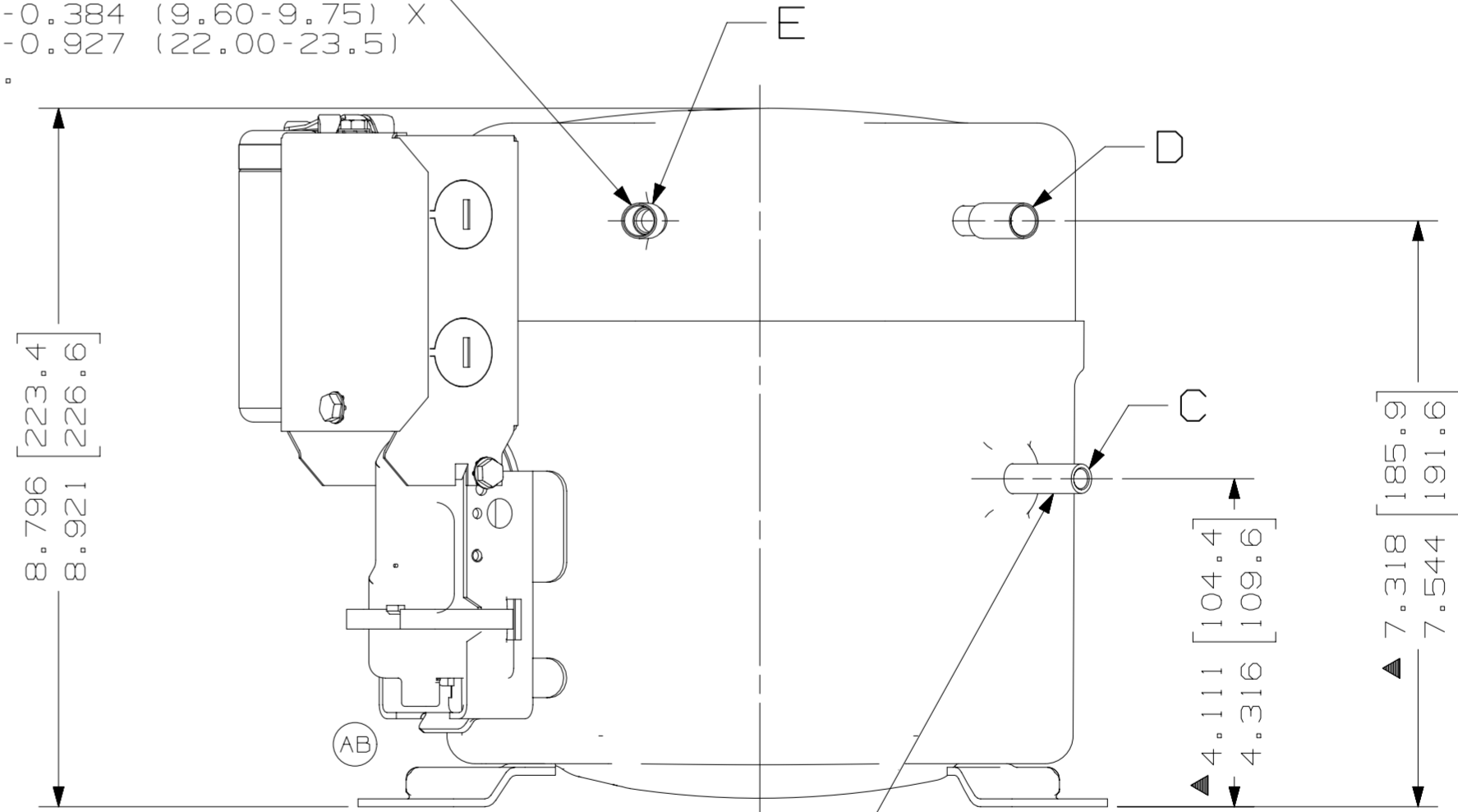
▲ SUCTION OR PROCESS - COPPER  
WALL 0.035 (0.9) NOMINAL. END  
I.D. 0.378-0.384 (9.60-9.75) X  
DEEP 0.865-0.927 (22.00-23.5)  
USE PLUG-4.

SUCTION OR PROCESS - COPPER  
WALL 0.035 (0.9) NOMINAL. END  
I.D. 0.378-0.384 (9.60-9.75)  
X DEEP 0.865-0.927 (22.00-23.5)  
USE PLUG-4.

ITEM	PART NUMBER
A	AKU1008
B	AKL1016
C	34719
D	34718
E	34718
F	280-10010
G	280-10011

NOTES

- 1- IF SPECIFIED ON BILL OF MATERIAL ASSEMBLE THE COMPONENTS AS SHOW.
- 2- SEE COMPONENT DRAWINGS FOR DIMENTIONS NOT SHOW.
- ▲ 3- MUST COMPLY WITH TECUMSEH GLOBAL ESPEC-8.



DISCHARGE - COPPER  
▲ O.D. 0.375 (9.50) NOMINAL  
END I.D. 0.253-0.259  
(6.43-6.58) X 0.550  
14.0 MIN. DEEP. USE PLUG-2

DIMENSIONING= INCHES OR INCHES - (MILLIMETERS)  
MILLIMETERS

REV	DATE	DESCRIPTION
EC102901 17-02-22 GM. MS.	EC05411 23-11-20 P.20	ALTERADO PROTETOR ERA: 108-10072
AB B3	AA	LIBERACAO

THIS DRAWING OR PRINT (1) IS THE PROPERTY OF TECUMSEH DO BRASIL LTDA. AND CONTAINS PROPRIETARY AND CONFIDENTIAL INFORMATION BELONGING TO TECUMSEH DO BRASIL. IT IS TO BE KEPT IN STRICTLY CONFIDENTIAL AND NOT TO BE REPRODUCED OR DISCLOSED OR MADE AVAILABLE TO OTHERS WITHOUT THE EXPRESS AND SPECIFIC WRITTEN CONSENT OF TECUMSEH DO BRASIL AND ANY SPECIFIC INFORMATION AS SHOWN HEREON IS THE PROPERTY OF TECUMSEH DO BRASIL AND NOT OTHERWISE (1) IT SHALL NOT BE COPIED OR TO ANY EXTENT WITH-OUT TECUMSEH DO BRASIL PRIOR EXPRESS AND SPECIFIC WRITTEN CONSENT AND (2) IT SHALL BE RETURNED BY THE RECIPIENT LATTER'S REQUEST PROMPTLY AFTER SUCH REQUEST IS MADE.

DO NOT SCALE THIS DRAWING. ALL FER-ROUS MATERIALS MUST NOT BE MAGNETIZED AS RECEIVED OR AT COMPRESSOR ASSEMBLY

THIRD ANGLE PROJECTION
UNITS: mm
DRAWING SIZE: A2
0. A SYMBOLS AS PROCEDURE 2.01.031 TECUMSEH OF BRAZIL
★ = CATEGORY I
▲ = CATEGORY II
■ = CATEGORY III
□ = CATEGORY IV

SALES COMPRESSOR

DCAKA32

SCALE 1:2

PAGE 1/1

FAMILY AK

DATE 21-04-20

REF.