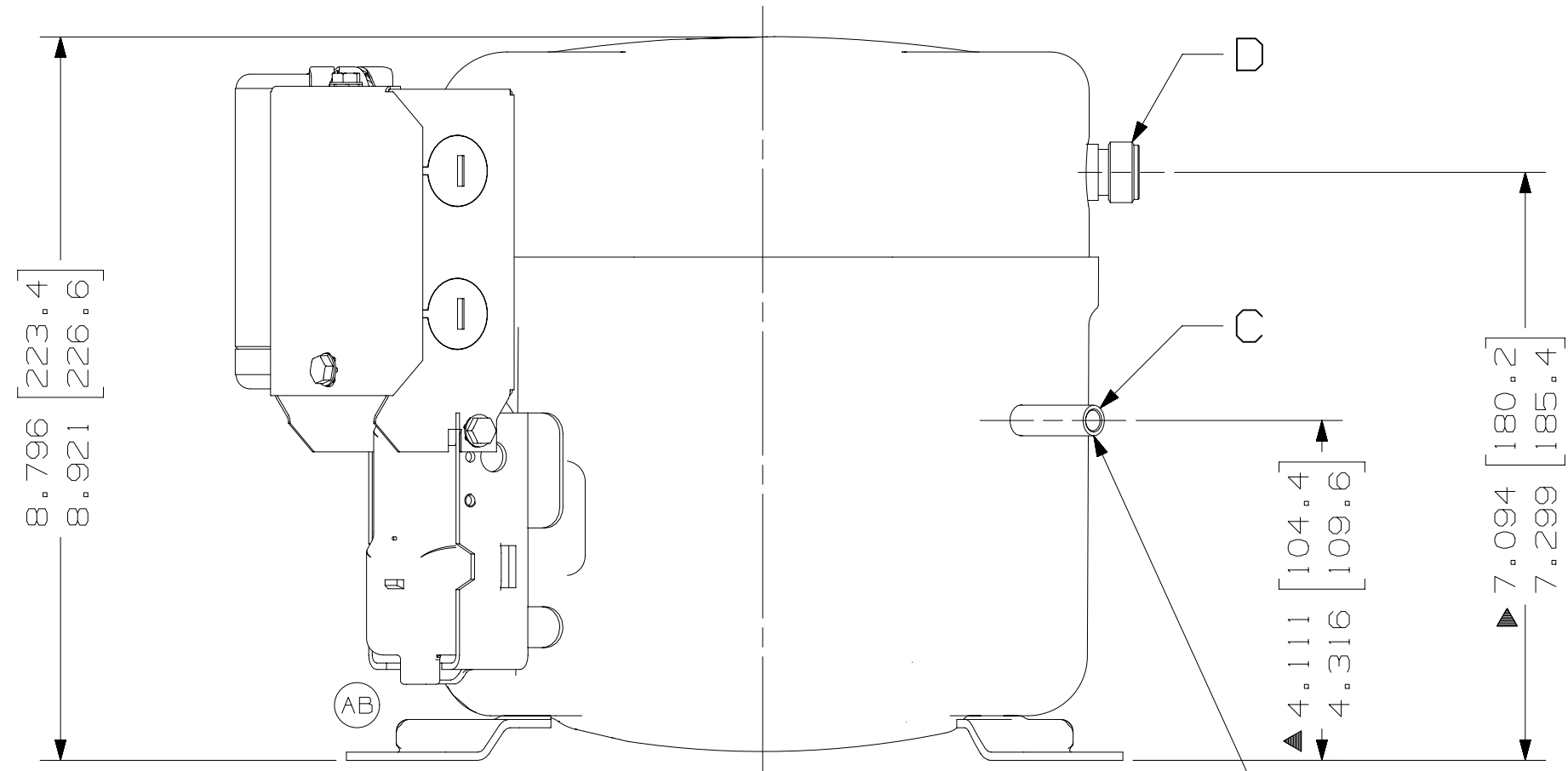


DGAE1904
RELAY BOX ASSEMBLY

SUCTION
3/4"-16 UNF 2A THD.
PLUG-4, 30334 GASKET
70281-29 PLASTIC CAP

ITEM	PART NUMBER
A	AKU1010
B	AKL1016
C	34719
D	122-10047
E	280-10010
F	280-10011



DISCHARGE - COPPER
O.D. 0.375 (9.50) NOMINAL
END I.D. 0.253-0.259
(6.43-6.58) X DEEP 0.380
(9.70) MIN. USE PLUG-2.

DIMENSIONING= INCHES OR INCHES - [MILLIMETERS]
MILLIMETERS

NOTES

- 1- IF SPECIFIED ON BILL OF MATERIAL ASSEMBLE THE COMPONENTS AS SHOW.
- 2- SEE COMPONENT DRAWINGS FOR DIMENTIONS NOT SHOW.
- ▲ 3- MUST COMPLY WITH TECUMSEH GLOBAL ESPEC-8.

LT	LC	CHANGE	DATE
AB	B3	ALTERADO PROTETOR DE TERMINAIS ERM-106-10072	17-02-22
AA	--	LIBERACAO	13-11-20

EC102001 17-02-22 GM. MS. PS. 13-11-20 C. 0

EC95418 13-11-20 C. 0

THIS DRAWING OR PRINT (1) IS THE PROPERTY OF TECUMSEH DO BRASIL LTDA. AND CONTAINS PROPRIETARY AND CONFIDENTIAL INFORMATION BELONGING TO TECUMSEH DO BRASIL. IT IS TO BE KEPT IN STRICT CONFIDENCE AND NOT TO BE REPRODUCED OR DISCLOSED OR MADE AVAILABLE TO OTHERS WITHOUT THE EXPRESS AND SPECIFIC WRITTEN CONSENT OF TECUMSEH DO BRASIL AND WITHOUT THE EXPRESS AND SPECIFIC WRITTEN CONSENT OF TECUMSEH DO BRASIL. IT SHALL NOT BE COPIED OR TO ANY EXTENT WITH-OUT TECUMSEH DO BRASIL PRIOR EXPRESS AND SPECIFIC WRITTEN CONSENT AND IT/1 SHALL BE RETURNED BY THE RECIPIENT LATTER'S REQUEST PROMPTLY AFTER SUCH REQUEST IS MADE.

DO NOT SCALE THIS DRAWING. ALL FER-ROUS MATERIALS MUST NOT BE MAGNETIZED AS RECEIVED OR AT COMPRESSION ASSEMBLY

THIRD ANGLE PROJECTION

UNITS: mm

DRAWING SIZE: A2

0. A. SYMBOLS AS PROCEDURE 2.01.031 TECUMSEH OF BRAZIL

- ★ = CATEGORY I
- ▲ = CATEGORY II
- = CATEGORY III
- = CATEGORY IV

SALES COMPRESSOR

DCAKA38

SCALE 1:2

PAGE 1/1

FAMILY AK

DATE 16-04-20

REF.

NAME

PART NO.