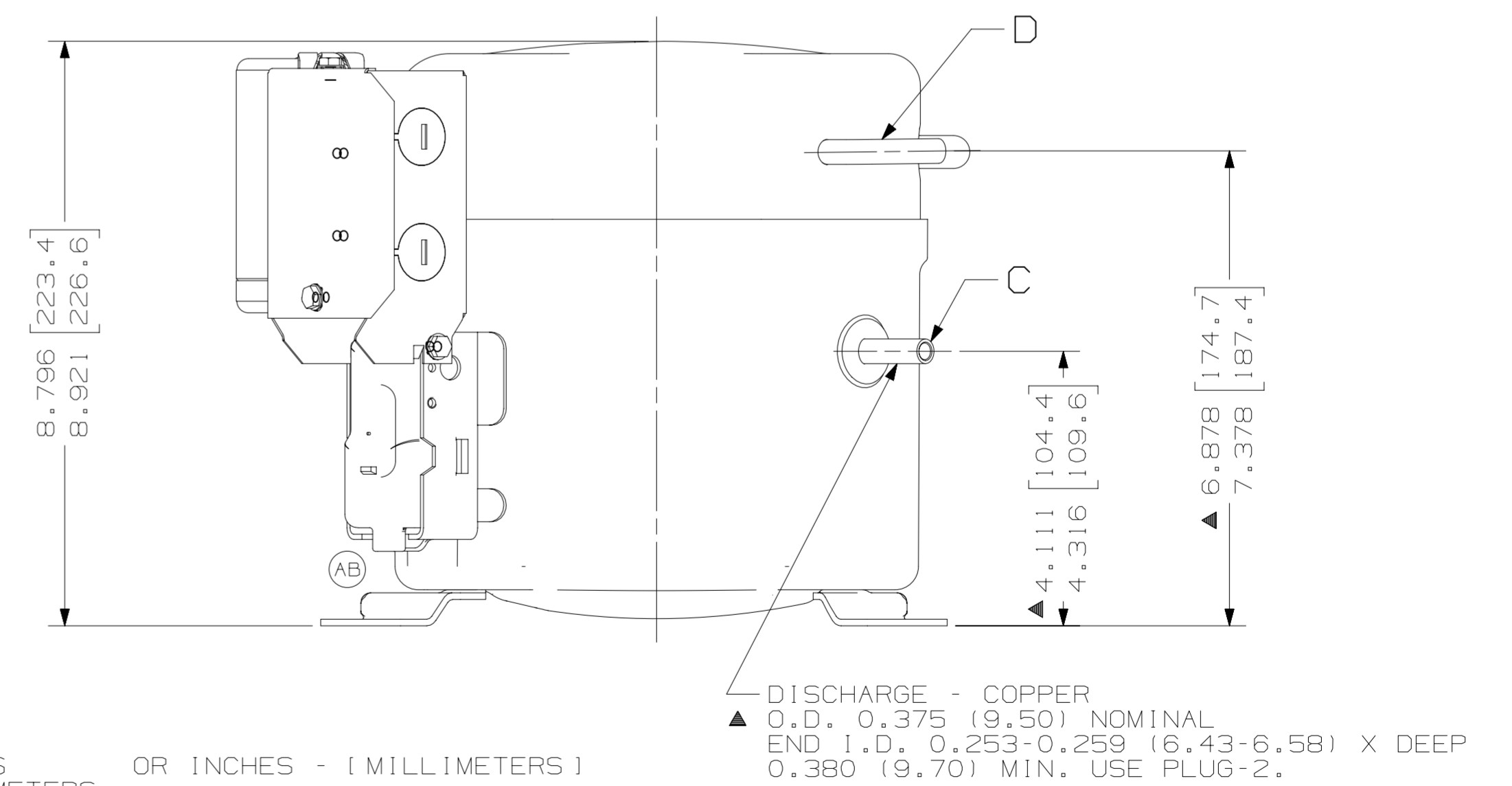


ITEM	PART NUMBER
A	AKU1016
B	AKL1016
C	34719
D	34888
E	34439
F	280-10010
G	280-10011

NOTES

- 1- IF SPECIFIED ON BILL OF MATERIAL ASSEMBLE THE COMPONENTS AS SHOW.
- 2- SEE COMPONENT DRAWINGS FOR DIMENTIONS NOT SHOW.
- ▲ 3- MUST COMPLY WITH TECUMSEH GLOBAL ESPEC-8.

DIMENSIONING= INCHES OR INCHES - [MILLIMETERS]
MILLIMETERS



REV	DATE	DESCRIPTION
EC102901 17-02-22 GM. MS.	13-11-20	ALTERADO PROTETOR DE TERMINAIS ERVA-100-10072
EC05424 05-11-20		LIBERACAO

THIS DRAWING OR PRINT (1) IS THE PROPERTY OF TECUMSEH DO BRASIL LTDA. AND CONTAINS PROPRIETARY AND CONFIDENTIAL INFORMATION BELONGING TO TECUMSEH DO BRASIL. IT IS TO BE USED ONLY FOR THE PURPOSES SPECIFIED HEREIN AND SPECIFIC CONDITION THAT NEITHER IT NOR THE INFORMATION CONTAINED THEREON OR DISCLOSED OR MADE AVAILABLE TO OTHERS WITHOUT THE EXPRESS AND SPECIFIC WRITTEN CONSENT OF TECUMSEH DO BRASIL AND ANY INFORMATION, KNOWLEDGE, ASSETS, TRADE SECRETS, AND SPECIFIC INFORMATION RECEIVED BY TECUMSEH DO BRASIL AND NOT OTHERWISE (1) IT SHALL NOT BE COPIED OR TO ANY EXTENT WITH-OUT TECUMSEH DO BRASIL PRIOR EXPRESS AND SPECIFIC WRITTEN CONSENT AND (2) IT SHALL BE RETURNED BY THE RECIPIENT LATTER'S REQUEST PROMPTLY AFTER SUCH REQUEST IS MADE.

DO NOT SCALE THIS DRAWING. ALL FERROUS MATERIALS MUST NOT BE MAGNETIZED AS RECEIVED OR AT COMPRESSOR ASSEMBLY

THIRD ANGLE PROJECTION

UNITS: mm

DRAWING SIZE: A2

0. A. SYMBOLS AS PROCEDURE 2.01.031 TECUMSEH OF BRAZIL

- ★ = CATEGORY I
- ▲ = CATEGORY II
- = CATEGORY III
- = CATEGORY IV

SALES COMPRESSOR

DCAKA47

SCALE: 1:2

PAGE: 1/1

DATE: 16-04-20

REF.

FAMILY: AK