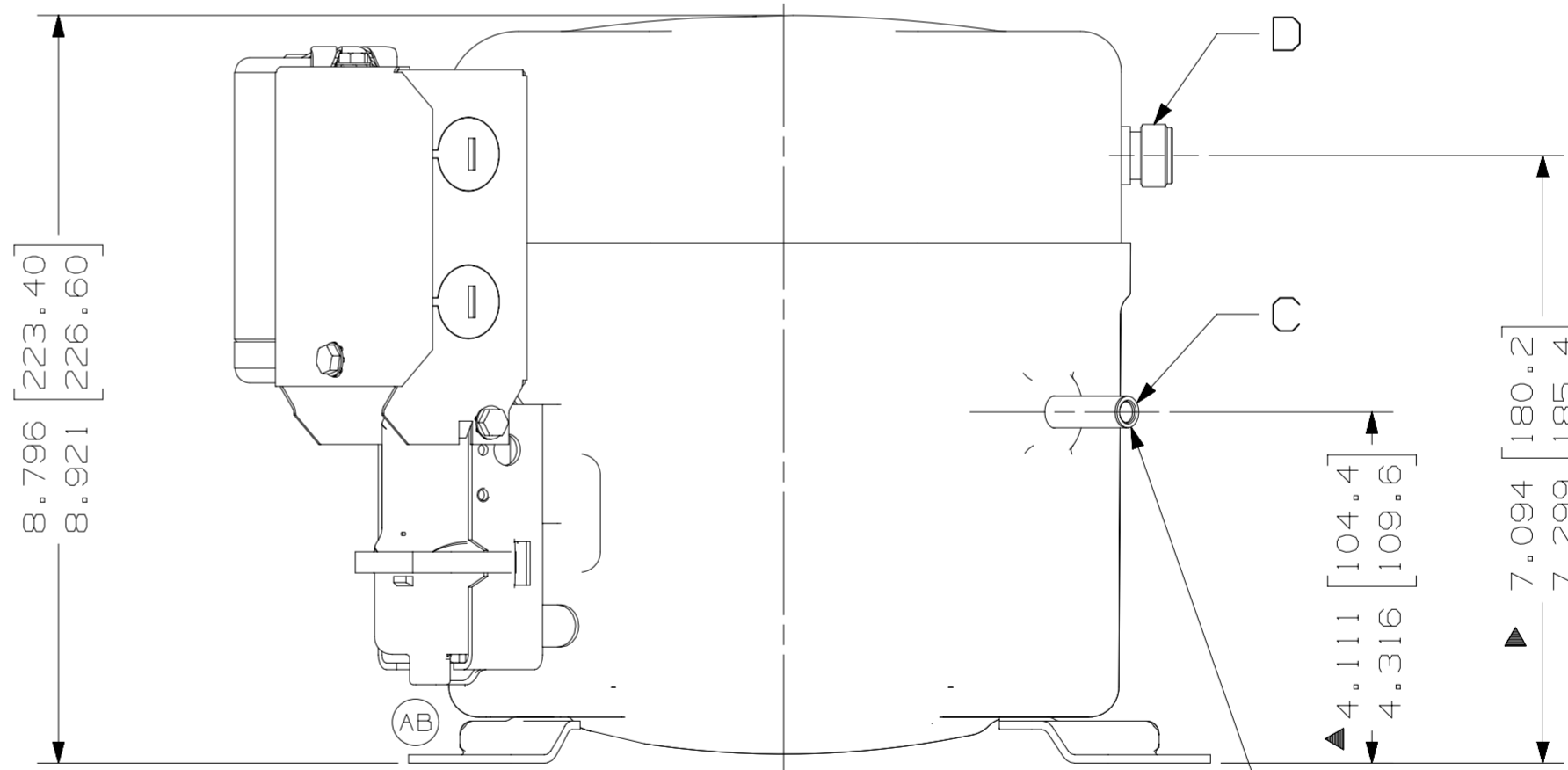


ITEM	PART NUMBER
A	AKU1010
B	AKL1017
C	34719
D	122-10047
E	280-10011
F	280-10010

DGAE1904  
RELAY BOX ASSEMBLY

SUCTION  
3/4"-16 UNF 2A THD.  
PLUG-4, 30334 GASKET  
70281-29 PLASTIC CAP



DIMENSIONING= INCHES OR INCHES - [MILLIMETERS]  
MILLIMETERS

NOTES

- 1- IF SPECIFIED ON BILL OF MATERIAL ASSEMBLE THE COMPONENTS AS SHOW.
- 2- SEE COMPONENT DRAWINGS FOR DIMENTIONS NOT SHOW.
- ▲ 3- MUST COMPLY WITH TECUMSEH GLOBAL ESPEC-8.

LT	LC	CHANGE	DATE
AB	B3	ALTERADO PROTETOR DE TERMINAIS ERA: 108-10072	EC102901 17-02-22 G.M. MS.
AA	--	LIBERACAO	EC95421 03-11-20 C.

THIS DRAWING OR PRINT (1) IS THE PROPERTY OF TECUMSEH DO BRASIL LTDA. AND CONTAINS PROPRIETARY AND CONFIDENTIAL INFORMATION BELONGING TO TECUMSEH DO BRASIL. IT IS TO BE USED ONLY FOR THE MANUFACTURE, REPAIR, AND SPECIFIC CONDITION THAT NECESSARILY FOR THE INFORMATION CONTAINED THEREON OR DISCLOSED OR MADE AVAILABLE TO OTHERS WITHOUT THE EXPRESS AND SPECIFIC WRITTEN CONSENT OF TECUMSEH DO BRASIL AND SHALL NOT BE COPIED OR TO ANY EXTENT WITH-OUT TECUMSEH DO BRASIL PRIOR EXPRESS AND SPECIFIC WRITTEN CONSENT AND IT/VI SHALL BE RETURNED BY THE RECIPIENT LATTER'S REQUEST PROMPTLY AFTER SUCH REQUEST IS MADE.

DO NOT SCALE THIS DRAWING. ALL FERROUS MATERIALS MUST NOT BE MAGNETIZED AS RECEIVED OR AT COMPRESSOR ASSEMBLY

THIRD ANGLE PROJECTION

UNITS: mm  
DRAWING SIZE: A2

0. A. SYMBOLS AS PROCEDURE 2.01.031 TECUMSEH OF BRAZIL

- ★ = CATEGORY I
- ▲ = CATEGORY II
- = CATEGORY III
- = CATEGORY IV

NAME: SALES COMPRESSOR  
PART NO.: DCAKB38

SCALE: 1:2  
PAGE: 1/1

DATE: 22-04-20  
REF.:  
FAMILY: AK