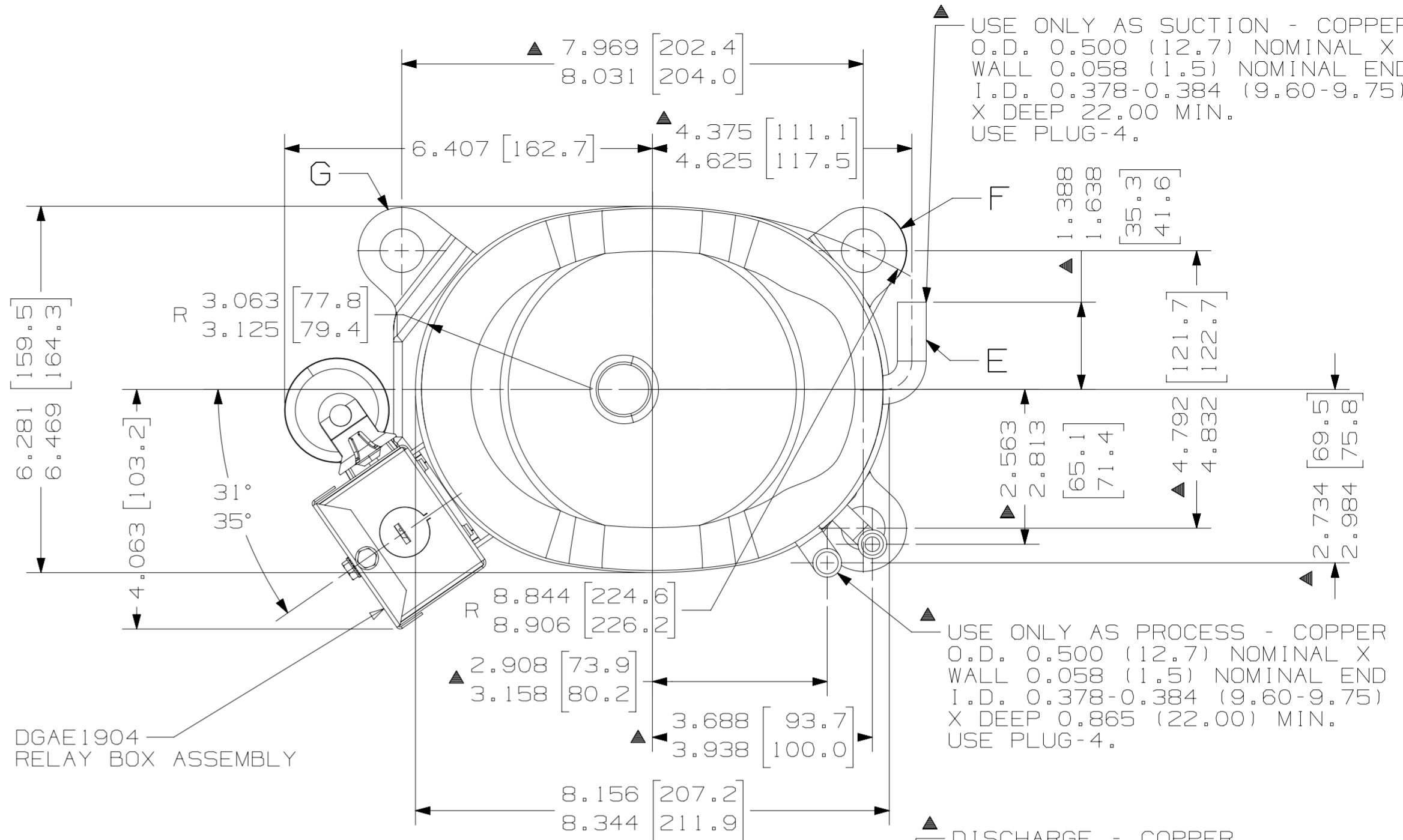


ITEM	PART NUMBER
A	AKU1017
B	AKL1015
C	34844
D	34439
E	34439
F	280-10010
G	280-10011

**NOTES**

- 1- IF SPECIFIED ON BILL OF MATERIAL ASSEMBLE THE COMPONENTS AS SHOW.
- 2- SEE COMPONENT DRAWINGS FOR DIMENTIONS NOT SHOW.
- ▲ 3- MUST COMPLY WITH TECUMSEH GLOBAL ESPEC-8.

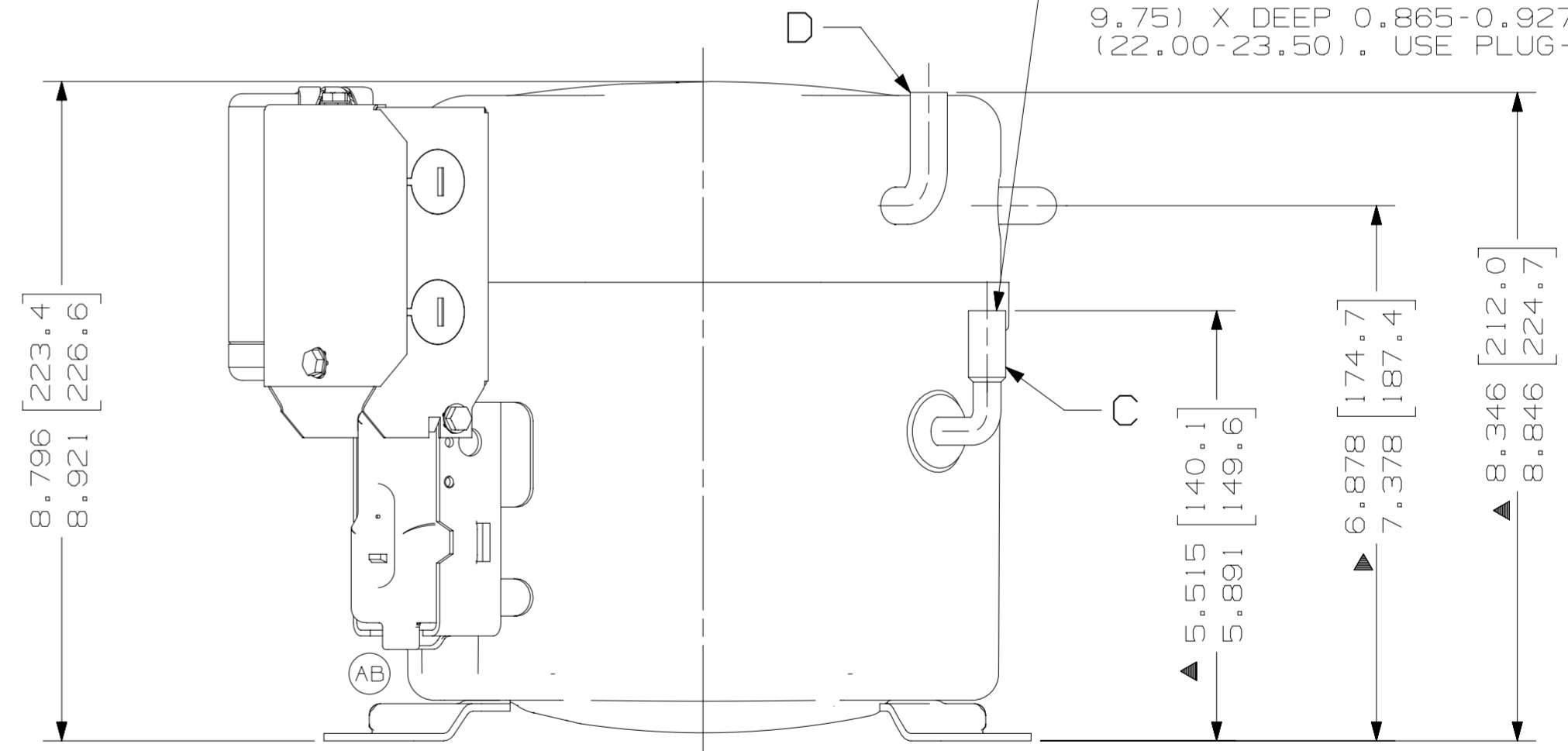


DGAE1904  
RELAY BOX ASSEMBLY

USE ONLY AS SUCTION - COPPER  
O.D. 0.500 (12.7) NOMINAL X  
WALL 0.058 (1.5) NOMINAL END  
I.D. 0.378-0.384 (9.60-9.75)  
X DEEP 22.00 MIN.  
USE PLUG-4.

USE ONLY AS PROCESS - COPPER  
O.D. 0.500 (12.7) NOMINAL X  
WALL 0.058 (1.5) NOMINAL END  
I.D. 0.378-0.384 (9.60-9.75)  
X DEEP 0.865 (22.00) MIN.  
USE PLUG-4.

DISCHARGE - COPPER  
END I.D. 0.378-0.384 (9.60-  
9.75) X DEEP 0.865-0.927  
(22.00-23.50). USE PLUG-4



DIMENSIONING= INCHES OR INCHES - [MILLIMETERS]  
MILLIMETERS

REV	DATE	DESCRIPTION
EC102901	17-02-22	ALTERADO PROTETOR DE TERMINAIS ERM - 108-10072
EC95425	03-11-20	LIBERACAO

THIS DRAWING OR PRINT (1) IS THE PROPERTY OF TECUMSEH DO BRASIL LTDA. AND CONTAINS PROPRIETARY AND CONFIDENTIAL INFORMATION BELONGING TO TECUMSEH DO BRASIL. IT IS TO BE KEPT IN STRICTLY CONFIDENTIAL CONDITION AND NOT TO BE REPRODUCED, COPIED, EITHER IN WHOLE OR IN PART, OR DISCLOSED OR MADE AVAILABLE TO OTHERS WITHOUT THE EXPRESS AND SPECIFIC WRITTEN CONSENT OF TECUMSEH DO BRASIL AND NOT OTHERWISE (1/1) SHALL NOT BE COPIED OR TO ANY EXTENT WITHOUT TECUMSEH DO BRASIL PRIOR EXPRESS AND SPECIFIC WRITTEN CONSENT AND IT/1 SHALL BE RETURNED BY THE RECIPIENT LATTER'S REQUEST PROMPTLY AFTER SUCH REQUEST IS MADE.

DO NOT SCALE THIS DRAWING. ALL FERROUS MATERIALS MUST NOT BE MAGNETIZED AS RECEIVED OR AT COMPRESSOR ASSEMBLY

THIRD ANGLE PROJECTION

UNITS: mm

DRAWING SIZE: A2

0. A SYMBOLS AS PROCEDURE 2.01.031 TECUMSEH OF BRAZIL

- ★ = CATEGORY I
- ▲ = CATEGORY II
- = CATEGORY III
- = CATEGORY IV

Tecumseh

NAME: SALES COMPRESSOR		PART NO.: DCAKA48	
DATE: 16-04-20		SCALE: 1:2	
REF.:		PAGE: 1/1	
FAMILY: AK			