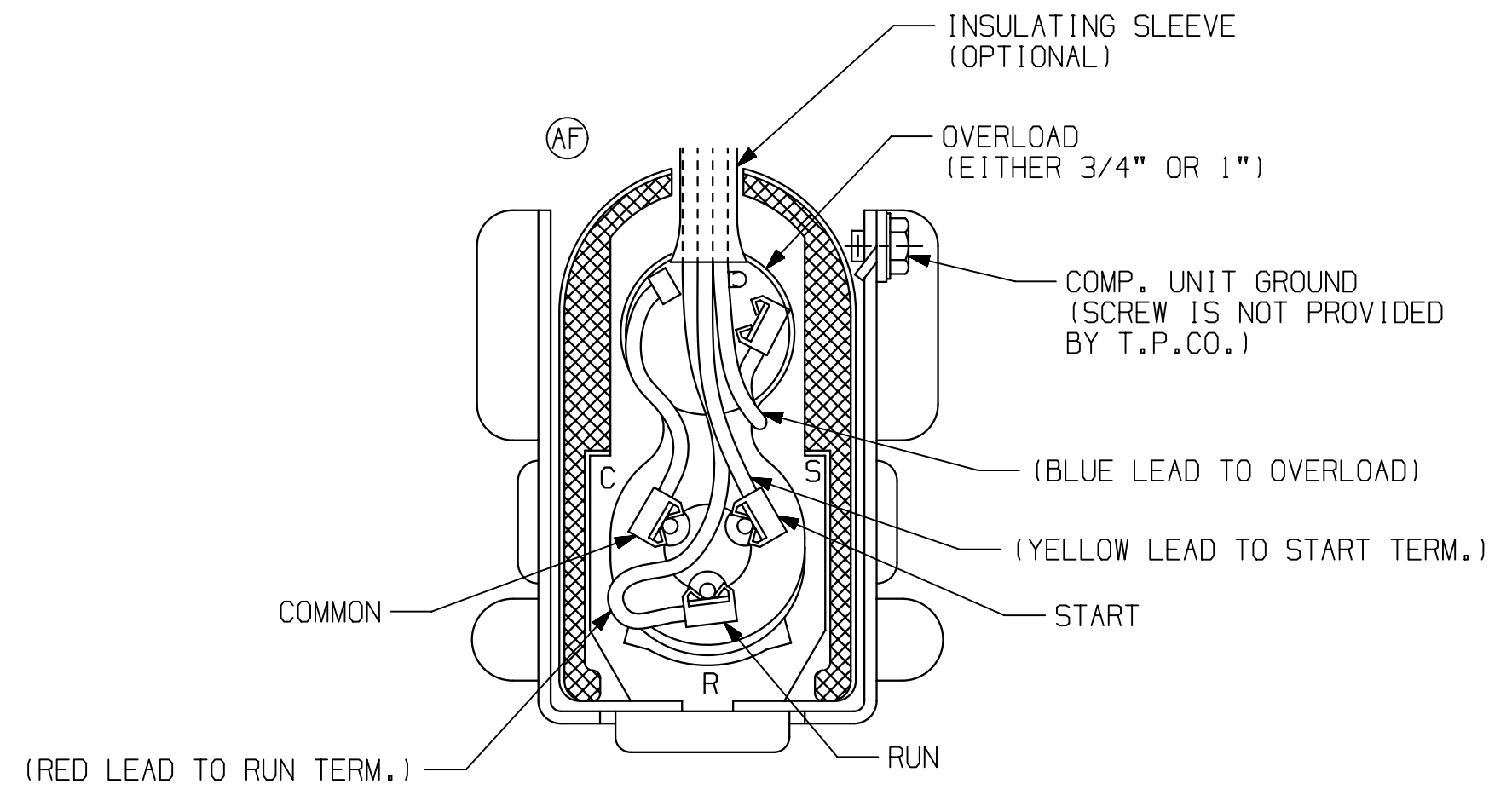


AG ELECTRICAL HOOK-UP REF. AK2



ELECTRICAL HOOK-UP REF. AK

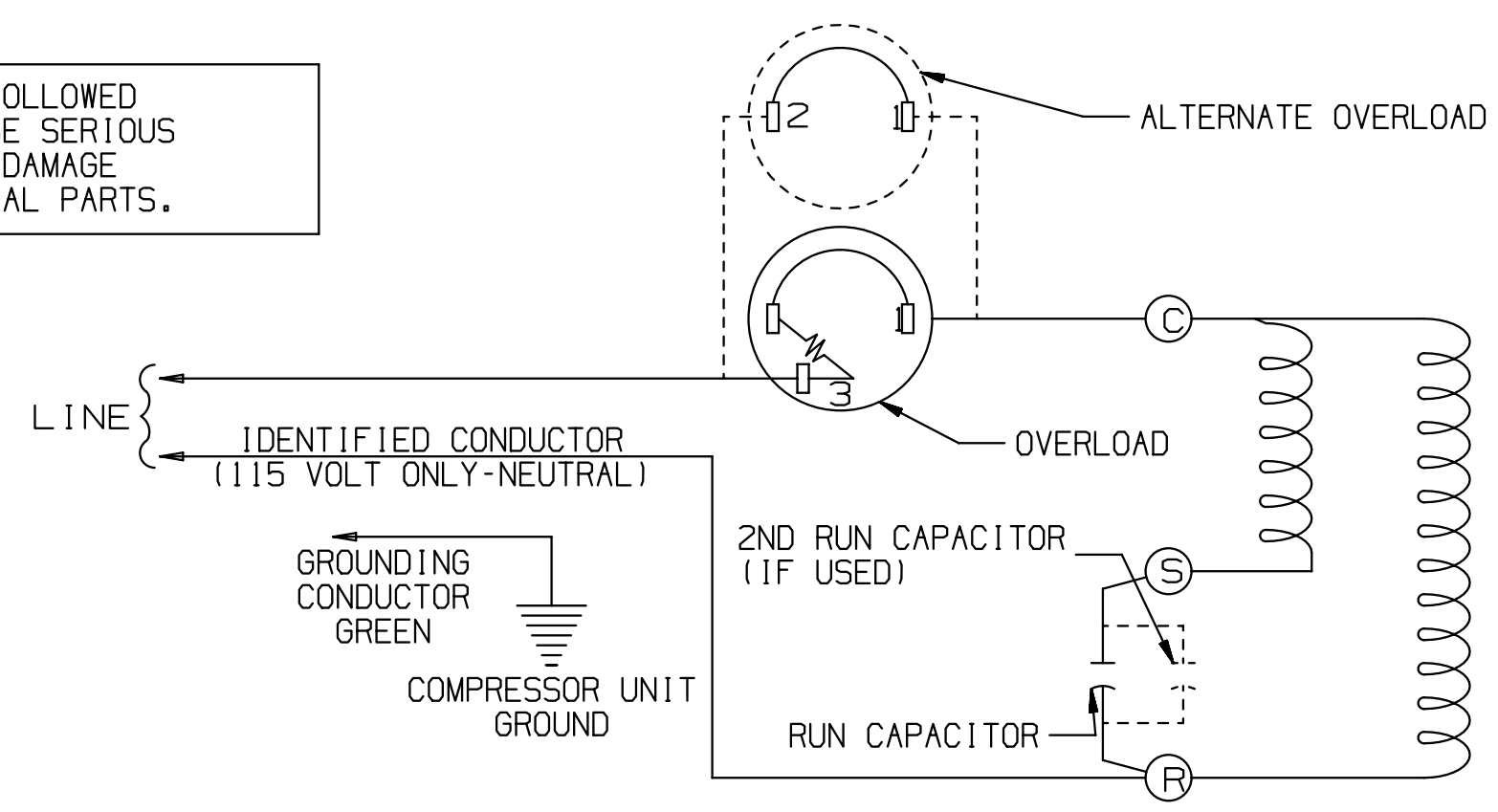
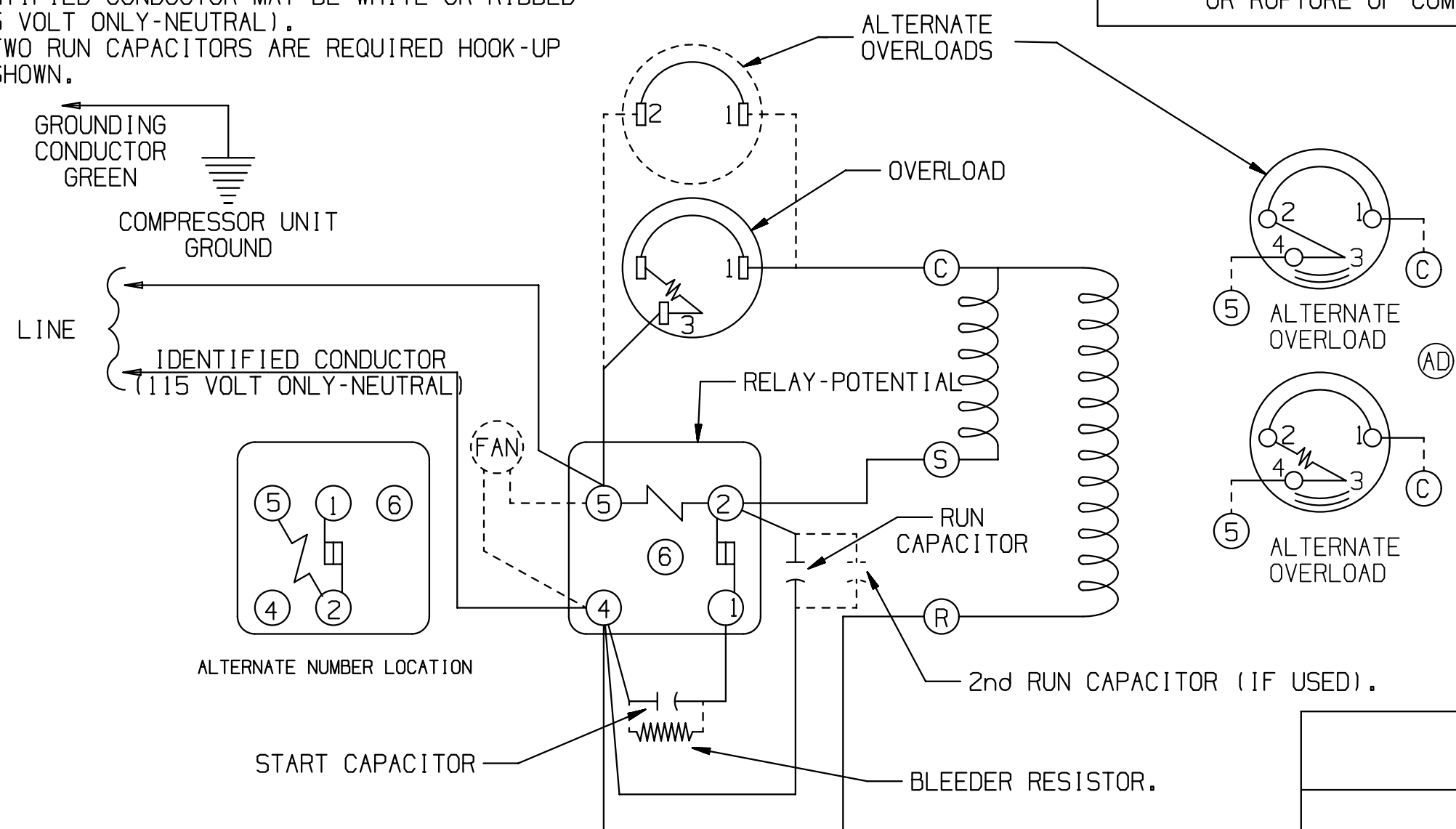
--NOTES--

1. ASSEMBLE PARTS AS SHOWN IF SPECIFIED ON B/M.
2. IDENTIFIED CONDUCTOR MAYBE WHITE OR RIBBED (115 VOLT ONLY-NEUTRAL).
3. IF TWO RUN CAPACITORS ARE REQUIRED HOOK-UP AS SHOWN.

NOTE:

1. ASSEMBLE PARTS AS SHOWN IF SPECIFIED ON B/M.
2. IDENTIFIED CONDUCTOR MAY BE WHITE OR RIBBED (115 VOLT ONLY-NEUTRAL).
3. IF TWO RUN CAPACITORS ARE REQUIRED HOOK-UP AS SHOWN.

WARNING-WIRING DIAGRAM MUST BE FOLLOWED AS SHOWN. ANY MISWIRING CAN CAUSE SERIOUS ELECTRICAL HAZARD AND POTENTIAL DAMAGE OR RUPTURE OF COMPONENT ELECTRICAL PARTS.



115 OR 230 VOLT - SCHEMATIC WIRING DIAGRAM - PSC. (REF. DWG. MD472-4)

AK-115 OR 230 V.-PCS.  
AK-115 OR 230 V.-CSR OR CSR START CAPACITOR ASSIST.

3D, VNX8 B

ENGLISH

Q.A. SYMBOLS

- ★ = CATEGORY I
- ▲ = CATEGORY III
- = CATEGORY IIII
- = CATEGORY IV

AK

115 OR 230 VOLT-SCHEMATIC WIRING DIAGRAM CSR OR CSR START CAPACITOR ASSIST (REF.DWG. MD472-35)

|   |  |  |   |  |                                |                  |  |
|---|--|--|---|--|--------------------------------|------------------|--|
| TS<br>13FEB17   | LOT<br>08JUL08                             | EAC<br>31MAY06   | EAC<br>07DEC04  | HINMAN<br>07/28/97   | DATE                           | DIS.CODE<br>34SU | NAME<br>ELECTRICAL HOOK-UP                   |
| AG 7D<br>EC76989<br>AK2 FAN OVERLOAD<br>OVERLOAD HOLDER, BASKET | AF 5E<br>EC19615<br>REVISE WIRE<br>ROUTING | AE 7E<br>F244883-000<br>REVISE WIRE<br>ENDS<br>OF THE WIRE<br>AS SHOWN ON<br>MARKED-UP<br>PRINT. | AD 5B<br>F241512-041<br>ADDED NEW<br>ELECTRICAL<br>VIEWS FOR<br>THE BASKET<br>DESIGN. | AC --<br>F231504-022<br>REVISED TO SHOW<br>OVERLOAD HOLDER | AB --<br>REDDRAWN<br>NO CHANGE |                  | SCALE<br>1"=1"                               |
| MATERIAL  |  |  |   |  |                                |                  | THIS PRINT SUPERSEDES<br>ALL PRINTS PRIOR TO |
| TECUMSEH PRODUCTS CO.<br>ANN ARBOR, MICHIGAN                    |  |  |   |  |                                |                  | PART NO.<br>DEAK 1                           |