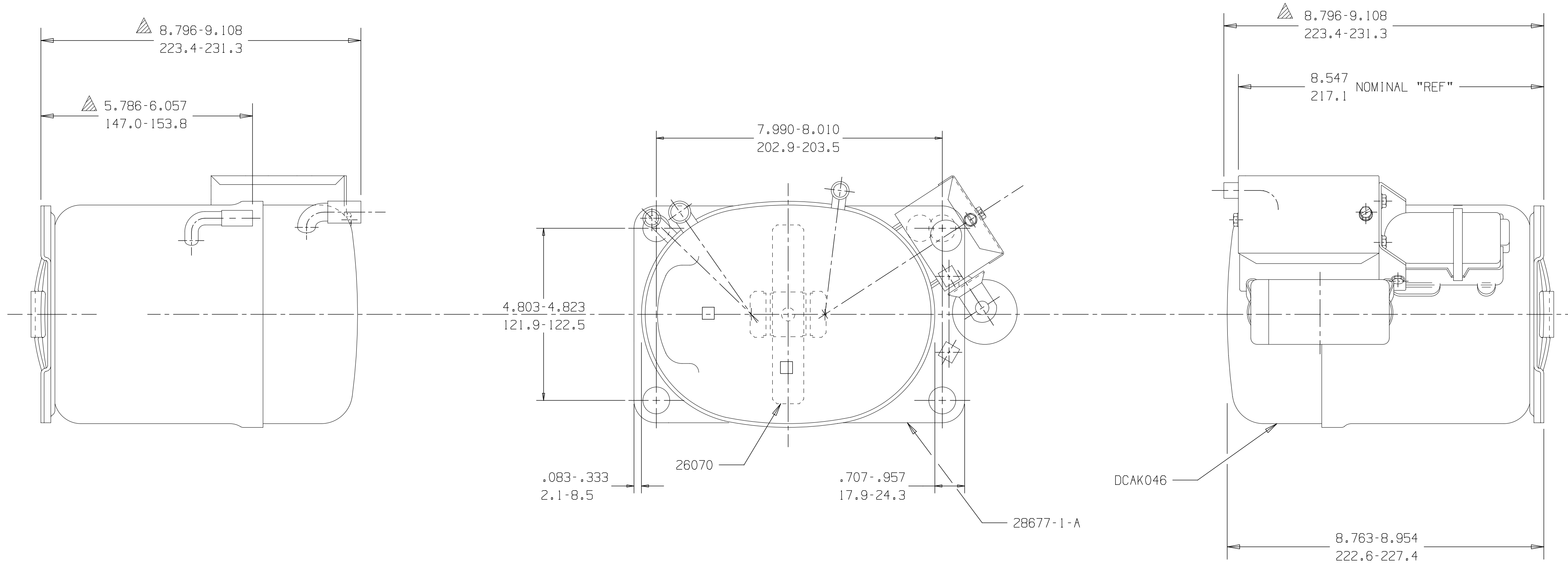


PART NO.  
DCAK046-1



NOTE!

1. IF SPECIFIED ON BILL OF MATERIAL ASSEMBLE THESE PARTS AS SHOWN.
2. SEE COMPONENT DRAWINGS FOR DIMENSIONS NOT SHOWN.

DIMENSIONING =  $\frac{\text{INCHES}}{\text{MILLIMETERS}}$  OR INCHES - (MILLIMETERS)

Q.A. SYMBOLS

- ★ = CATEGORY I
- ▲ = CATEGORY III
- = CATEGORY IIII
- = CATEGORY IV

AK

REL -- #239494-001		DATE	DIS. CODE		NAME		SALES COMPRESSOR	
LT	LC	CHANGE	DATE	DWN.	CK	WRIGHT OSMAYOO		THIS PRINT SUPERSEDES ALL PRINTS PRIOR TO
TECUMSEH PRODUCTS CO.							PART NO.	
TECUMSEH, MICHIGAN							DCAK046-1	
INTERNAL USE ONLY							q:\ak\ak-dcak046-01_rel - c.prt	