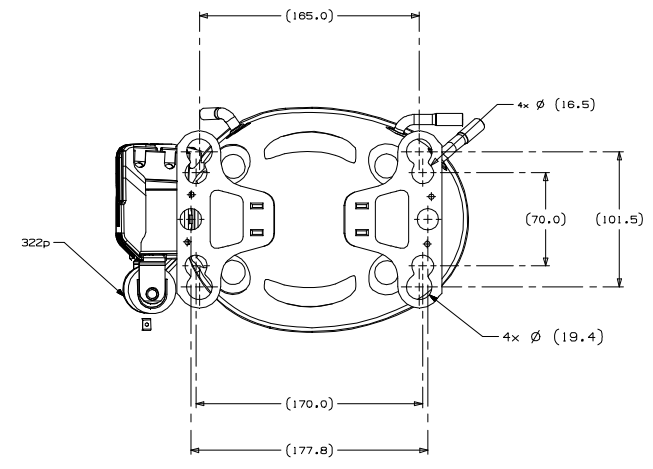
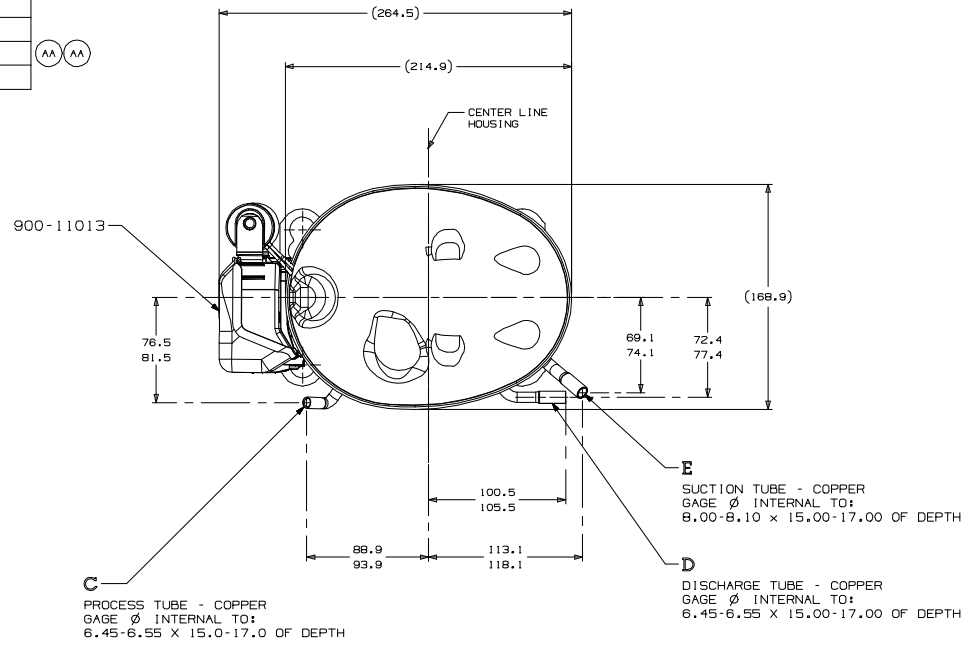
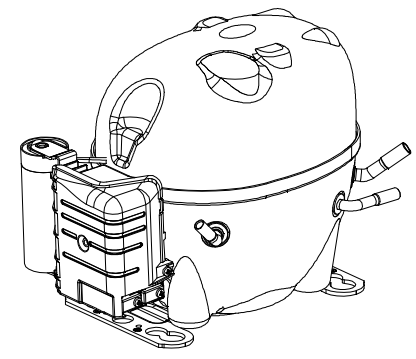
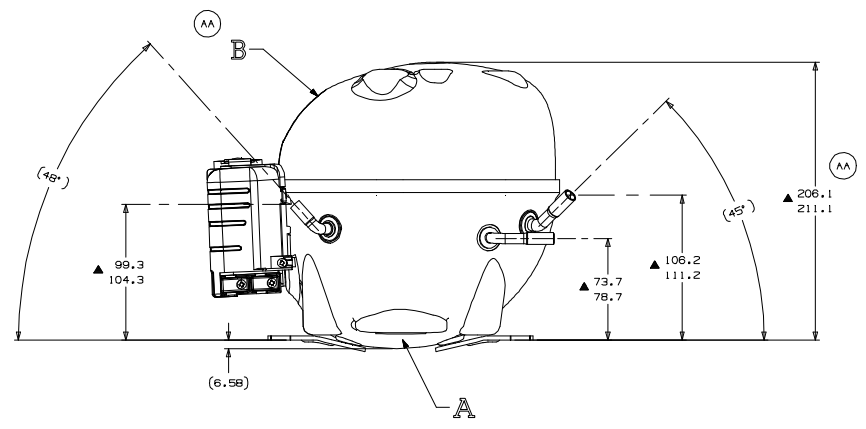


ITEN	PART NUMBER
A	320-10678
B	320-10661
C	14947663
D	580-10244
E	580-10789



AUXILIARY VIEW
FIXING DIMENSIONS



PERSPECTIVE VIEW
SCALE 1:2

- NOTES:
- 1- IF SPECIFIED IN BM, ASSEMBLE PARTS AS SHOWN.
 - 2- SEE SPEC. "A-B" & A-C FOR PROCESS.
 - 3- THERE CAN BE NO CREASES IN THE TUBES (CREASES ARE SIGNS OR MARKS THAT ARE IN SOMETHING THAT BENDS).
 - 4- AFTER THE FOLDS IN THE TUBES, CANNOT BE ACCELERATED TO AREA EXCEEDING 30%.
 - 5- TUBES OF SUCTION, DISCHARGE AND PROCESS MUST BE FREE OF INK ON 15.8mm (5/8") FROM TOP OF THE TUBES AS SPEC. TECUMSEH A-B4.
 - 6- FOR SUPPLIER ENVIRONMENTAL REGULATORY REQUIREMENTS, SEE TECUMSEH GLOBAL SPEC-B.

LIBERACAO		REVISOR		TITULO		UNIDADE		NOME		PART. NO.	
DIO		18-01-21		FAC. CES		UNITS: mm		SALES COMPRESSOR		DCAL003	
CO		01/28/20		EPR. A		DIMENS. SIZE: A1		DNI.		SCALE	
010		01/28/20		EPR. A		PROJ. 2-28-201		RAMIRO		1:3	
010		01/28/20		EPR. A		TUBOS DE BOMBA		APR.		PAGE	
010		01/28/20		EPR. A		ALTAER. TUBO		ANERE ZAVATTA		1/1	
010		01/28/20		EPR. A		ITEM "D" DA		REF.		FAMILY	
010		01/28/20		EPR. A		SOLIC. ENG.		DATE		AL.	
010		01/28/20		EPR. A		TUBO		02-04-20			

UNITS: mm

PROJ. 2-28-201

SALES COMPRESSOR

DCAL003

RAMIRO

ANERE ZAVATTA

02-04-20

1:3

1/1

AL.

