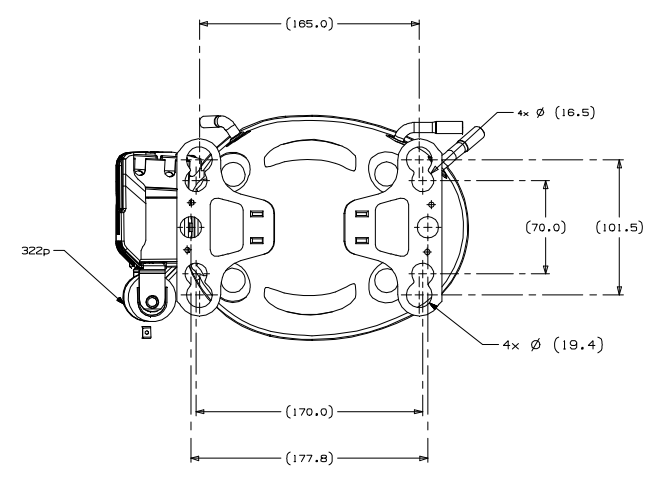
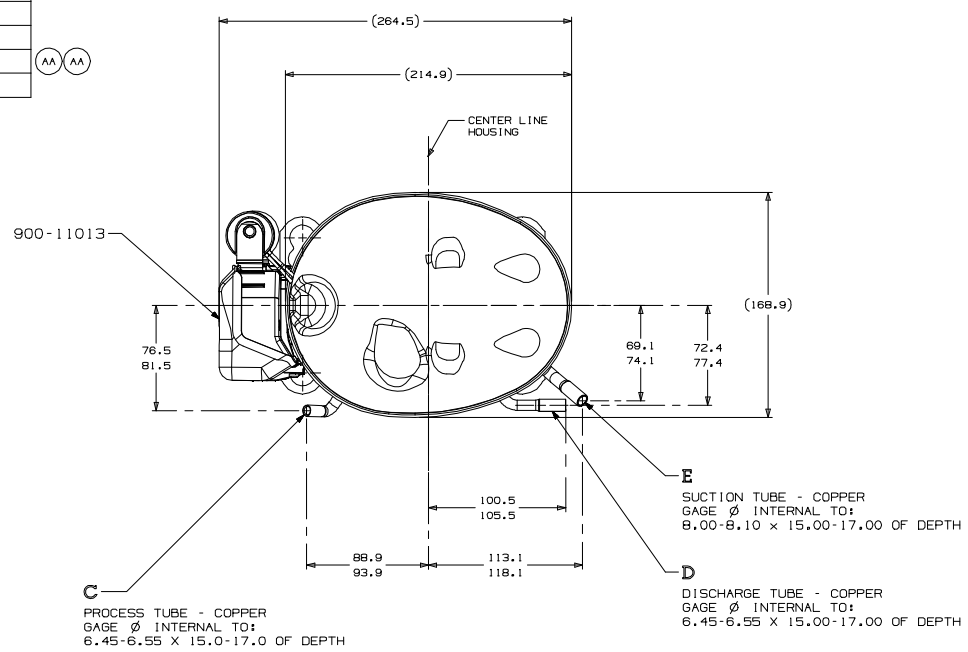
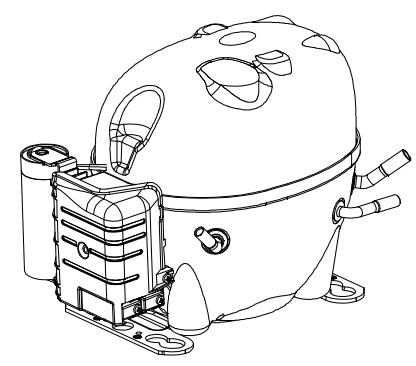
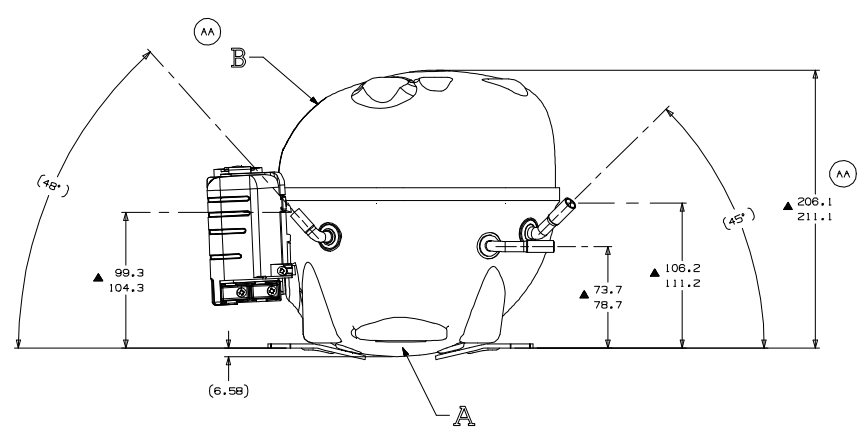


ITEN	PART NUMBER
A	320-10678
B	320-10661
C	14947663
D	580-10244
E	580-10789

AA AA



AUXILIARY VIEW
FIXING DIMENSIONS



PERSPECTIVE VIEW
SCALE 1:2

- NOTES:
- 1- IF SPECIFIED IN BM, ASSEMBLE PARTS AS SHOWN.
 - 2- SEE SPEC. "A-B" & A-C FOR PROCESS.
 - 3- THERE CAN BE NO CREASES IN THE TUBES (CREASES ARE SIGNS OR MARKS THAT ARE IN SOMETHING THAT BENDS).
 - 4- AFTER THE FOLDS IN THE TUBES, CANNOT BE ACCELERATED TO AREA EXCEEDING 30%.
 - 5- TUBES OF SUCTION, DISCHARGE AND PROCESS MUST BE FREE OF INK ON 15.8mm (5/8") FROM TOP OF THE TUBES AS SPEC. TECUMSEH A-B4.
 - 6- FOR SUPPLIER ENVIRONMENTAL REGULATORY REQUIREMENTS, SEE TECUMSEH GLOBAL SPEC-B.

LIBERACAO		REVISÃO		UNITS: mm	
DIO		18-01-21		DRAWING SIZE: A1	
TIMPA		LAC.		1:3	
CO		OCS		1:1	
EIA 204-P-20049		EIA 204-P-20049		1:4	
EIA 204-P-20049		EIA 204-P-20049		1:5	
EIA 204-P-20049		EIA 204-P-20049		1:6	
EIA 204-P-20049		EIA 204-P-20049		1:7	
EIA 204-P-20049		EIA 204-P-20049		1:8	
EIA 204-P-20049		EIA 204-P-20049		1:9	
EIA 204-P-20049		EIA 204-P-20049		1:10	
EIA 204-P-20049		EIA 204-P-20049		1:11	
EIA 204-P-20049		EIA 204-P-20049		1:12	
EIA 204-P-20049		EIA 204-P-20049		1:13	
EIA 204-P-20049		EIA 204-P-20049		1:14	
EIA 204-P-20049		EIA 204-P-20049		1:15	
EIA 204-P-20049		EIA 204-P-20049		1:16	
EIA 204-P-20049		EIA 204-P-20049		1:17	
EIA 204-P-20049		EIA 204-P-20049		1:18	
EIA 204-P-20049		EIA 204-P-20049		1:19	
EIA 204-P-20049		EIA 204-P-20049		1:20	
EIA 204-P-20049		EIA 204-P-20049		1:21	
EIA 204-P-20049		EIA 204-P-20049		1:22	
EIA 204-P-20049		EIA 204-P-20049		1:23	
EIA 204-P-20049		EIA 204-P-20049		1:24	
EIA 204-P-20049		EIA 204-P-20049		1:25	
EIA 204-P-20049		EIA 204-P-20049		1:26	
EIA 204-P-20049		EIA 204-P-20049		1:27	
EIA 204-P-20049		EIA 204-P-20049		1:28	
EIA 204-P-20049		EIA 204-P-20049		1:29	
EIA 204-P-20049		EIA 204-P-20049		1:30	
EIA 204-P-20049		EIA 204-P-20049		1:31	
EIA 204-P-20049		EIA 204-P-20049		1:32	
EIA 204-P-20049		EIA 204-P-20049		1:33	
EIA 204-P-20049		EIA 204-P-20049		1:34	
EIA 204-P-20049		EIA 204-P-20049		1:35	
EIA 204-P-20049		EIA 204-P-20049		1:36	
EIA 204-P-20049		EIA 204-P-20049		1:37	
EIA 204-P-20049		EIA 204-P-20049		1:38	
EIA 204-P-20049		EIA 204-P-20049		1:39	
EIA 204-P-20049		EIA 204-P-20049		1:40	
EIA 204-P-20049		EIA 204-P-20049		1:41	
EIA 204-P-20049		EIA 204-P-20049		1:42	
EIA 204-P-20049		EIA 204-P-20049		1:43	
EIA 204-P-20049		EIA 204-P-20049		1:44	
EIA 204-P-20049		EIA 204-P-20049		1:45	
EIA 204-P-20049		EIA 204-P-20049		1:46	
EIA 204-P-20049		EIA 204-P-20049		1:47	
EIA 204-P-20049		EIA 204-P-20049		1:48	
EIA 204-P-20049		EIA 204-P-20049		1:49	
EIA 204-P-20049		EIA 204-P-20049		1:50	
EIA 204-P-20049		EIA 204-P-20049		1:51	
EIA 204-P-20049		EIA 204-P-20049		1:52	
EIA 204-P-20049		EIA 204-P-20049		1:53	
EIA 204-P-20049		EIA 204-P-20049		1:54	
EIA 204-P-20049		EIA 204-P-20049		1:55	
EIA 204-P-20049		EIA 204-P-20049		1:56	
EIA 204-P-20049		EIA 204-P-20049		1:57	
EIA 204-P-20049		EIA 204-P-20049		1:58	
EIA 204-P-20049		EIA 204-P-20049		1:59	
EIA 204-P-20049		EIA 204-P-20049		1:60	
EIA 204-P-20049		EIA 204-P-20049		1:61	
EIA 204-P-20049		EIA 204-P-20049		1:62	
EIA 204-P-20049		EIA 204-P-20049		1:63	
EIA 204-P-20049		EIA 204-P-20049		1:64	
EIA 204-P-20049		EIA 204-P-20049		1:65	
EIA 204-P-20049		EIA 204-P-20049		1:66	
EIA 204-P-20049		EIA 204-P-20049		1:67	
EIA 204-P-20049		EIA 204-P-20049		1:68	
EIA 204-P-20049		EIA 204-P-20049		1:69	
EIA 204-P-20049		EIA 204-P-20049		1:70	
EIA 204-P-20049		EIA 204-P-20049		1:71	
EIA 204-P-20049		EIA 204-P-20049		1:72	
EIA 204-P-20049		EIA 204-P-20049		1:73	
EIA 204-P-20049		EIA 204-P-20049		1:74	
EIA 204-P-20049		EIA 204-P-20049		1:75	
EIA 204-P-20049		EIA 204-P-20049		1:76	
EIA 204-P-20049		EIA 204-P-20049		1:77	
EIA 204-P-20049		EIA 204-P-20049		1:78	
EIA 204-P-20049		EIA 204-P-20049		1:79	
EIA 204-P-20049		EIA 204-P-20049		1:80	
EIA 204-P-20049		EIA 204-P-20049		1:81	
EIA 204-P-20049		EIA 204-P-20049		1:82	
EIA 204-P-20049		EIA 204-P-20049		1:83	
EIA 204-P-20049		EIA 204-P-20049		1:84	
EIA 204-P-20049		EIA 204-P-20049		1:85	
EIA 204-P-20049		EIA 204-P-20049		1:86	
EIA 204-P-20049		EIA 204-P-20049		1:87	
EIA 204-P-20049		EIA 204-P-20049		1:88	
EIA 204-P-20049		EIA 204-P-20049		1:89	
EIA 204-P-20049		EIA 204-P-20049		1:90	
EIA 204-P-20049		EIA 204-P-20049		1:91	
EIA 204-P-20049		EIA 204-P-20049		1:92	
EIA 204-P-20049		EIA 204-P-20049		1:93	
EIA 204-P-20049		EIA 204-P-20049		1:94	
EIA 204-P-20049		EIA 204-P-20049		1:95	
EIA 204-P-20049		EIA 204-P-20049		1:96	
EIA 204-P-20049		EIA 204-P-20049		1:97	
EIA 204-P-20049		EIA 204-P-20049		1:98	
EIA 204-P-20049		EIA 204-P-20049		1:99	
EIA 204-P-20049		EIA 204-P-20049		1:100	



SALES COMPRESSOR		PART NO. DCAL003	
DATE: 02-04-20	REF:	SCALE: 1:3	PAGE: 1/1
APR. ANERE ZAVATTA		FAMILY: AL	