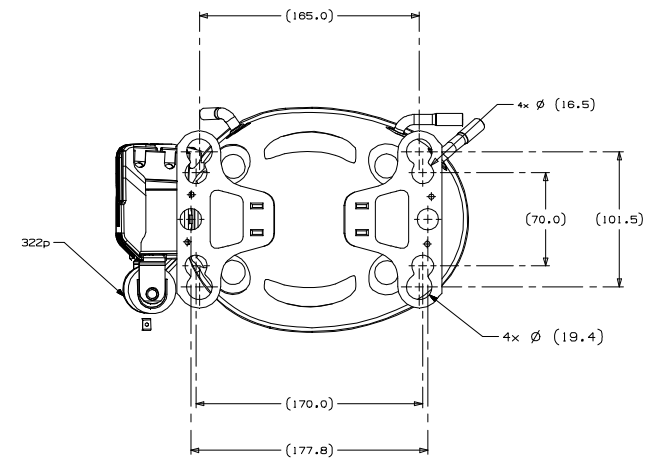
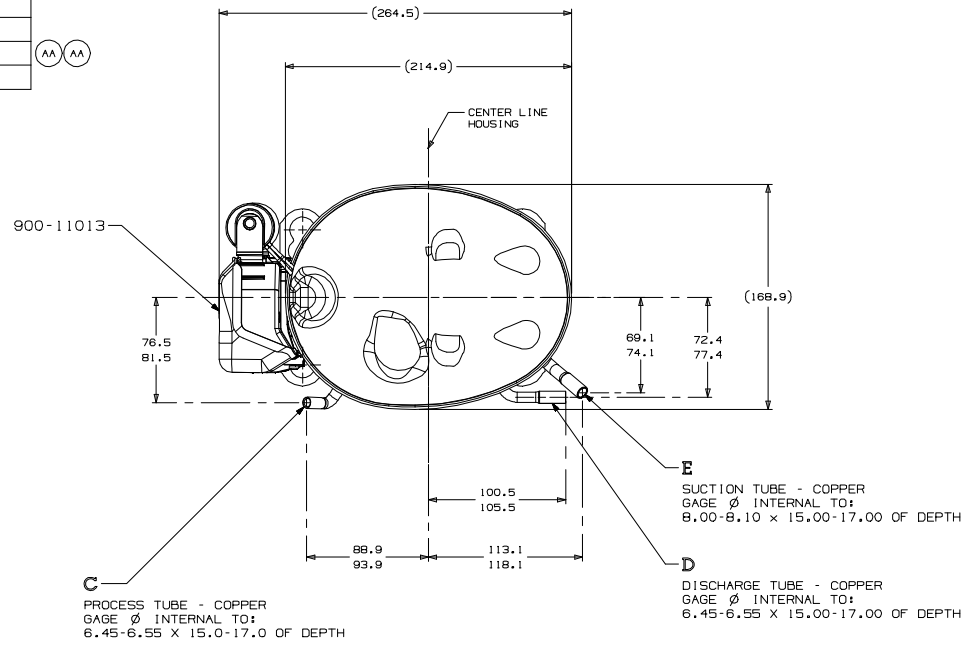
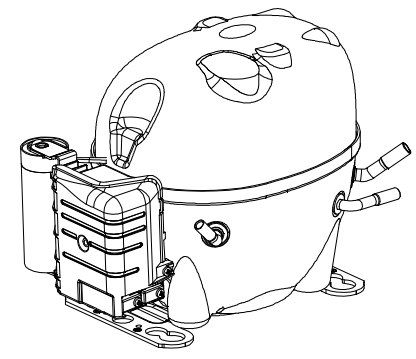
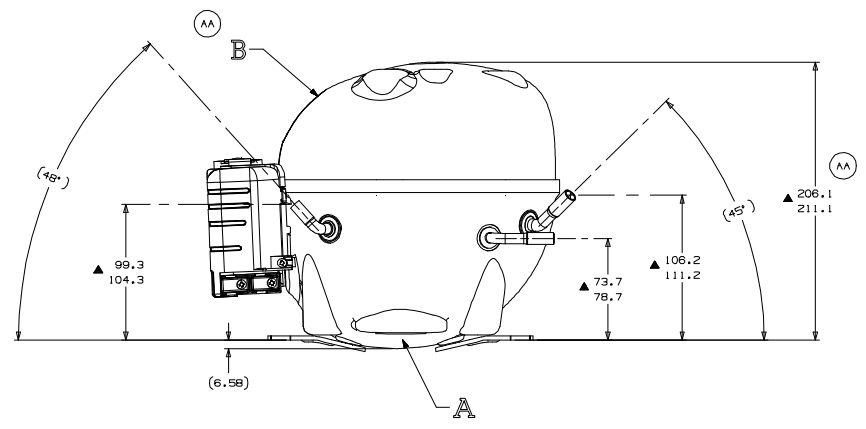


ITEN	PART NUMBER
A	320-10678
B	320-10661
C	14947663
D	580-10244
E	580-10789



AUXILIARY VIEW
FIXING DIMENSIONS



PERSPECTIVE VIEW
SCALE 1:2

- NOTES:
- 1- IF SPECIFIED IN BM, ASSEMBLE PARTS AS SHOWN.
 - 2- SEE SPEC. "A-B" & A-C FOR PROCESS.
 - 3- THERE CAN BE NO CREASES IN THE TUBES (CREASES ARE SIGNS OR MARKS THAT ARE IN SOMETHING THAT BENDS).
 - 4- AFTER THE FOLDS IN THE TUBES, CANNOT BE ACCELERATED TO AREA EXCEEDING 30%.
 - 5- TUBES OF SUCTION, DISCHARGE AND PROCESS MUST BE FREE OF INK ON 15.8mm (5/8") FROM TOP OF THE TUBES AS SPEC. TECUMSEH A-B4.
 - 6- FOR SUPPLIER ENVIRONMENTAL REGULATORY REQUIREMENTS, SEE TECUMSEH GLOBAL SPEC-B.

LIBERACAO		REVISOR		TITULO		UNIDADE		NOME		PART. NO.	
DIO		18-01-21		LAC		CDS		SALES COMPRESSOR		DCAL003	
TIMPA		18-01-21		LAC		CDS		DNI.		SCALE	
CO		18-01-21		LAC		CDS		P&D		1:3	
CO		18-01-21		LAC		CDS		APR.		PAGE	
CO		18-01-21		LAC		CDS		RAMIRO		1/1	
CO		18-01-21		LAC		CDS		ANERE ZAVATTA		FAMILY	
CO		18-01-21		LAC		CDS		REF.		AL.	
CO		18-01-21		LAC		CDS		DATE		02-04-20	
CO		18-01-21		LAC		CDS		CATEGORY I		CATEGORY II	
CO		18-01-21		LAC		CDS		CATEGORY III		CATEGORY IV	

UNITS: mm

TECUMSEH