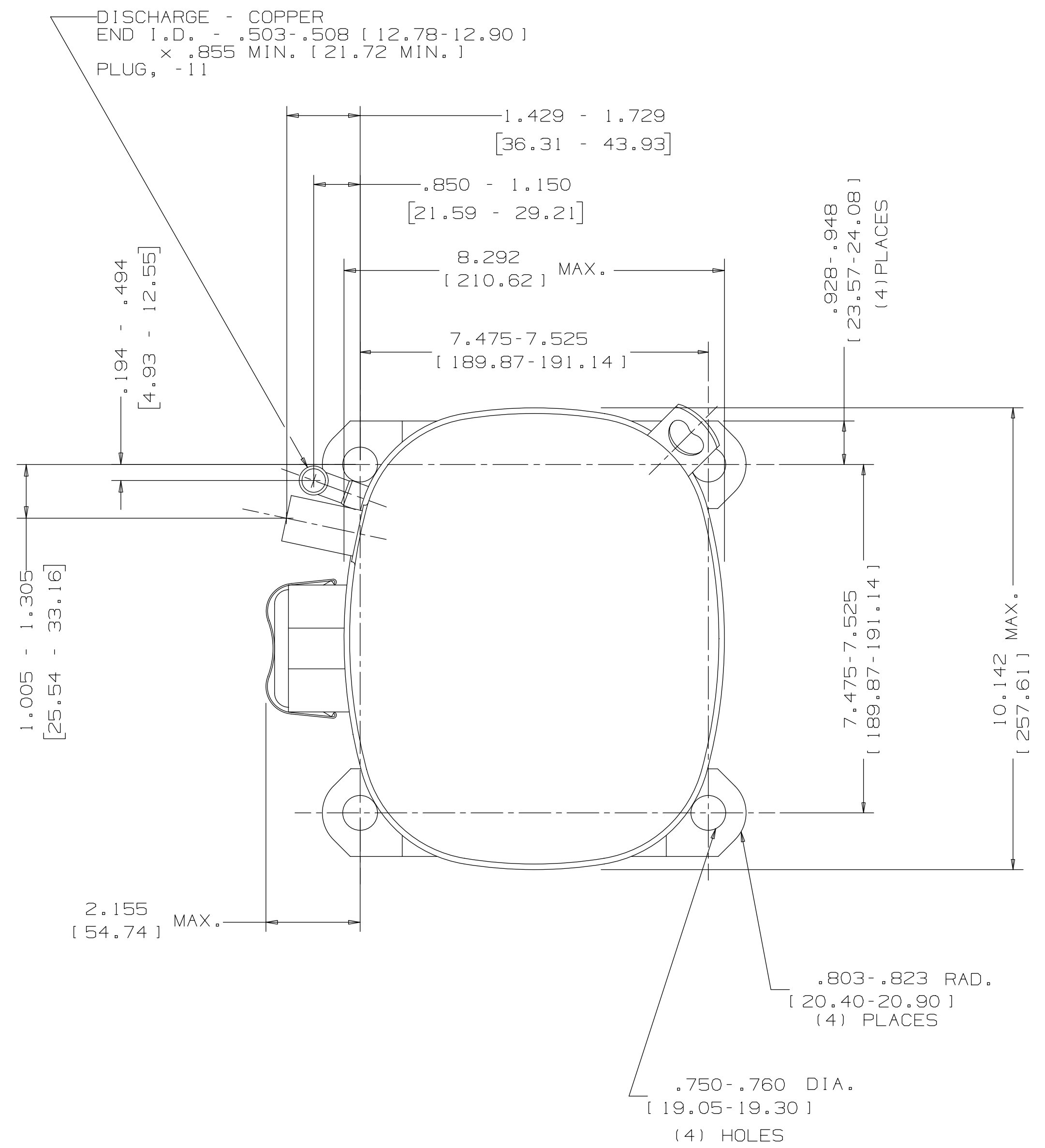


SUCTION - COPPER
I.D. - .878-.883 [22.30-22.43] x
ENTIRE LENGTH
PLUG, -21



DISCHARGE - COPPER
END I.D. - .503-.508 [12.78-12.90]
x .855 MIN. [21.72 MIN.]
PLUG, -11

DIMENSIONS IN BRACKETS ARE MILLIMETERS

AV

CK. #239337-000 R - EXTRANEUS INFO REMOVED 22MAY00 C.M.S.		CK. #239834-000 P 6A WAS 26233-1 14NOV98 J.C.		CK. #235604-017 N 5A WAS H4676-5 - - REMOVED CHANGES J.C. 23FEB99		LT LC CHANGE DATE THIS DRAWING OR PRINT SHALL BE THE PROPERTY OF TECUMSEH PRODUCTS CO. AND SHALL REMAIN THE PROPERTY OF TECUMSEH PRODUCTS CO. IF IT IS REPRODUCED OR TRANSMITTED IN ANY FORM OR BY ANY MEANS, ELECTRONIC OR MECHANICAL, INCLUDING PHOTOCOPYING, RECORDING, OR BY ANY INFORMATION STORAGE AND RETRIEVAL SYSTEM, WITHOUT THE EXPRESS AND WRITTEN PERMISSION OF TECUMSEH PRODUCTS CO. ANY UNAUTHORIZED REPRODUCTION OR TRANSMISSION OF THIS DRAWING OR PRINT IS PROHIBITED.		DIS. CODE NAME SALES COMPRESSOR DWN. BRODERICK 7-25-86 CK.		THIS PRINT SUPERSEDES ALL PRINTS PRIOR TO DRAWING NO. DCAV029	
MATERIAL NOTED						INTERNAL USE ONLY qt:\av\av-dcav029_r-c.prt		Q.A. SYMBOLS		DRAWING NO. DCAV029	