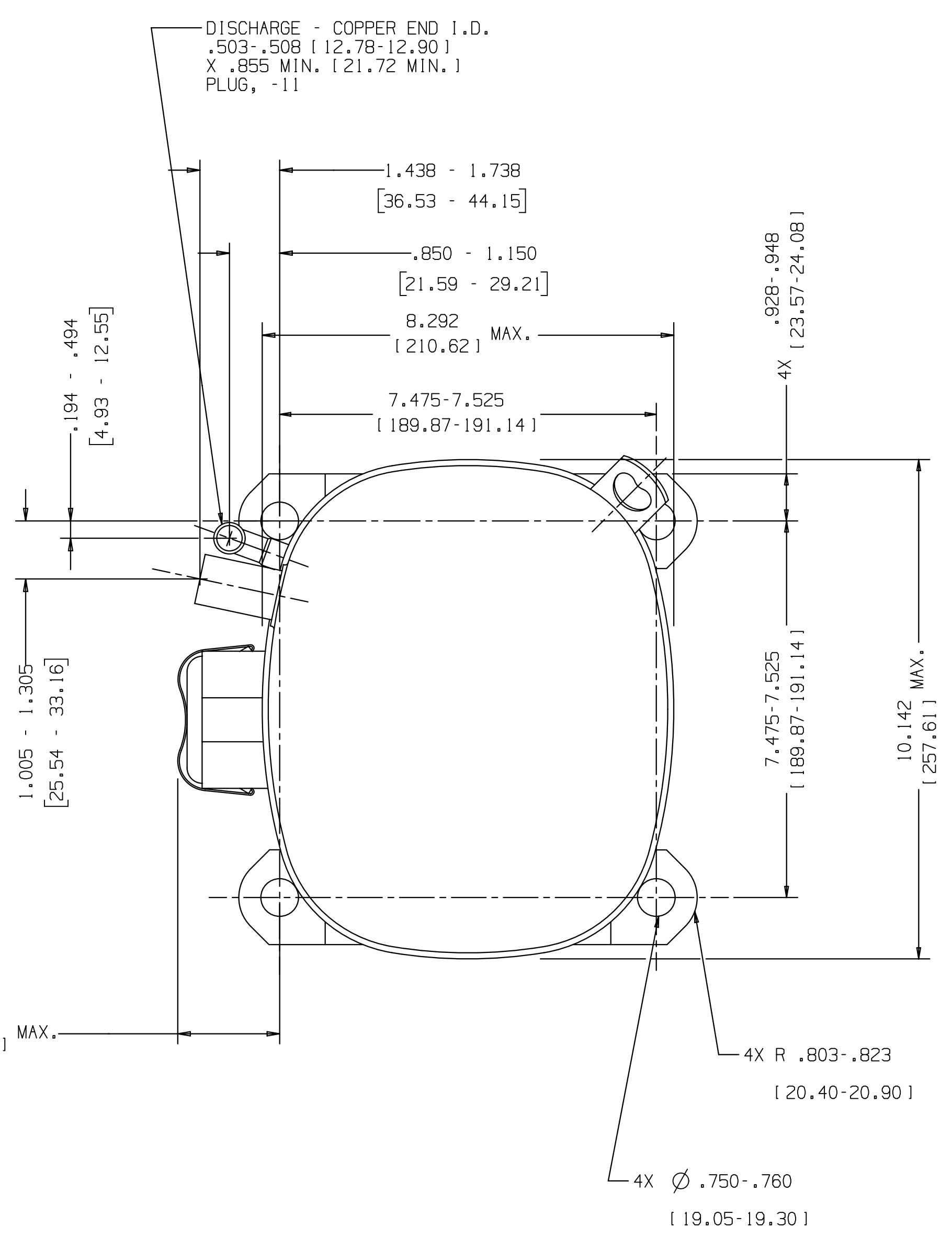


SUCTION - COPPER I.D.  
.878-.883 [22.30-22.43]  
X ENTIRE LENGTH  
PLUG, -21



DISCHARGE - COPPER END I.D.  
.503-.508 [12.78-12.90]  
X .855 MIN. [21.72 MIN.]  
PLUG, -11

NOTE:  
DIMENSIONING: INCHES [MILLIMETERS]

2D.VNX8

Q.A. SYMBOLS	
★	= CATEGORY I
▲	= CATEGORY II
■	= CATEGORY III
AV	= CATEGORY IV

DESIGNER S 6E DIM. MODIFIED WAS 10.084-11.08	SP/PM 2/MAY/14	CK.	APR.	#239337-000 EXTRANEQUS INFO REMOVED	C.M.S. Z2MAY10	CK.	APR.	#239337-000 WAS 28223-1	JJC 14NOV99	CK.	APR.	#239337-000 WAS HA677-6	JJC 29FEB99	REMOVED CHANGES	DATE	DIS.CODE	NAME	SCALE	THIS PRINT SUPERSEDES ALL PRINTS PRIOR TO
SALES COMPRESSOR																	1:2		
TECUMSEH PRODUCTS CO. ANN ARBOR, MICHIGAN																		DRAWING NO.	
MATERIAL																		DCAV027	