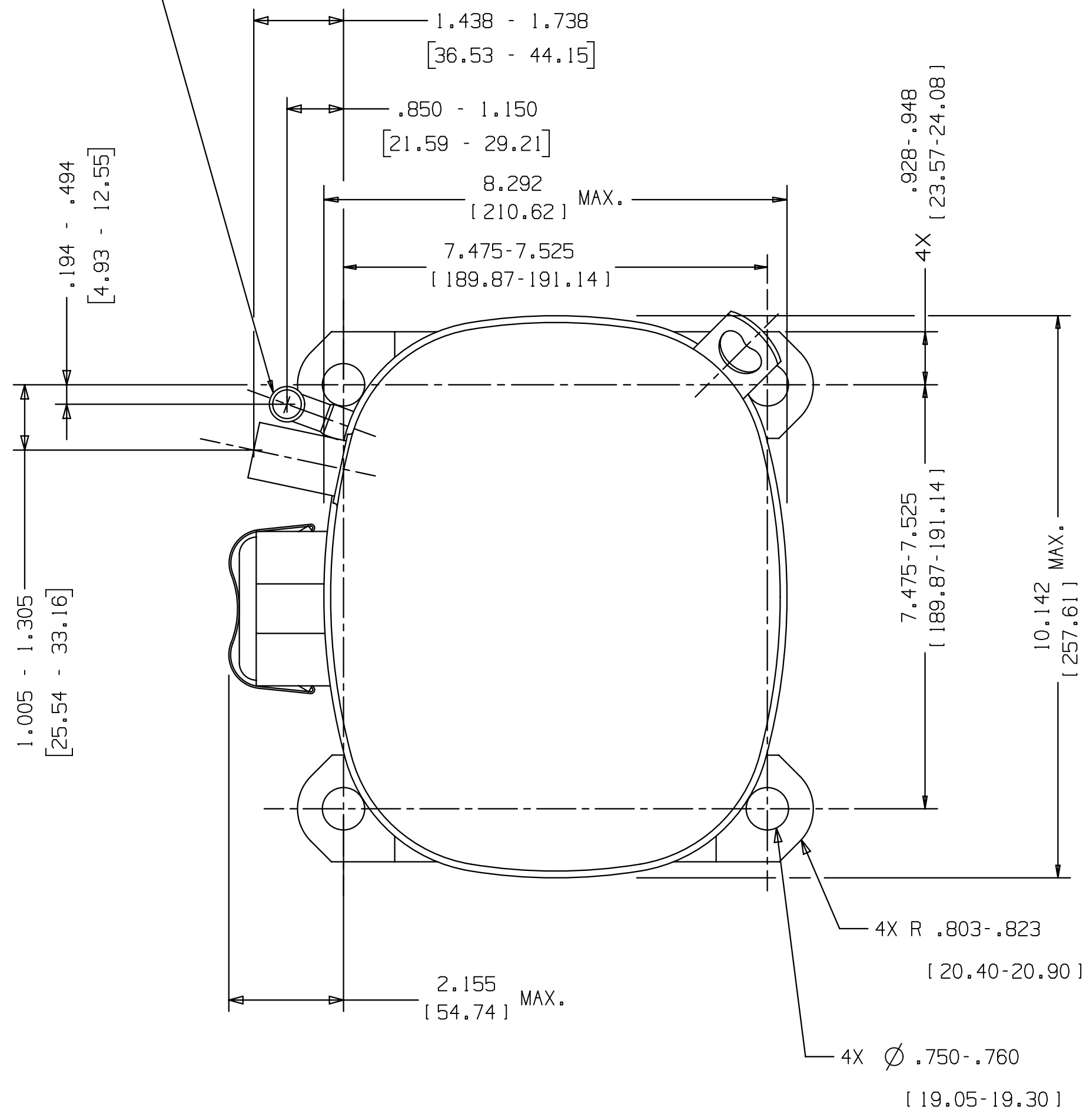


SUCTION - COPPER I.D.
.878-.883 [22.30-22.43]
X ENTIRE LENGTH
PLUG, -21

DISCHARGE - COPPER END I.D.
.503-.508 [12.78-12.90]
X .855 MIN. [21.72 MIN.]
PLUG, -11



NOTE:
DIMENSIONING: INCHES [MILLIMETERS]

2D, VNX8

Q.A. SYMBOLS	
★	= CATEGORY I
▲	= CATEGORY II
■	= CATEGORY III
□	= CATEGORY IV

S 6E		EC39055 DIM. MODIFIED DIM. 11.648-11.884 WAS 11.368-11.824 04-JUN-14		SRIFRAM		APR.	
R -		#239337-000 EXTRANEIOUS INFO REMOVED		C.M.S.		APR.	
P 6A		#239834-000 WAS 26233-1		JJC		APR.	
N 5A		#235604-017 WAS 14677-4		JJC		APR.	
LT	LC	CHANGE	DATE	DO NOT SCALE THIS DRAWING OR PRINT. ALL IS THE PROPERTY OF TECUMSEH AND CONTAINS PROPRIETARY AND CONFIDENTIAL INFORMATION. ALL IS MADE AVAILABLE TO THE PUBLIC UNDER THE PROVISIONS OF THE SPECIFIC CONDITIONS OF THE PURCHASE ORDER. ANY INFORMATION CONTAINED HEREIN IS UNCLASSIFIED AND IS NOT TO BE DISCLOSED OR MADE AVAILABLE TO ANY OTHER PERSON OR ENTITY WITHOUT THE SPECIFIC WRITTEN CONSENT OF TECUMSEH. ANY INFORMATION CONTAINED HEREIN IS UNCLASSIFIED AND IS NOT TO BE DISCLOSED OR MADE AVAILABLE TO ANY OTHER PERSON OR ENTITY WITHOUT THE SPECIFIC WRITTEN CONSENT OF TECUMSEH. ANY INFORMATION CONTAINED HEREIN IS UNCLASSIFIED AND IS NOT TO BE DISCLOSED OR MADE AVAILABLE TO ANY OTHER PERSON OR ENTITY WITHOUT THE SPECIFIC WRITTEN CONSENT OF TECUMSEH.			
DIS. CODE		NAME		SALES COMPRESSOR			
SCALE		1:2		THIS PRINT SUPERSEDES ALL PRINTS PRIOR TO			
MATERIAL		TECUMSEH PRODUCTS CO.		DRAWING NO.			
		ANN ARBOR, MICHIGAN		DCAV034			