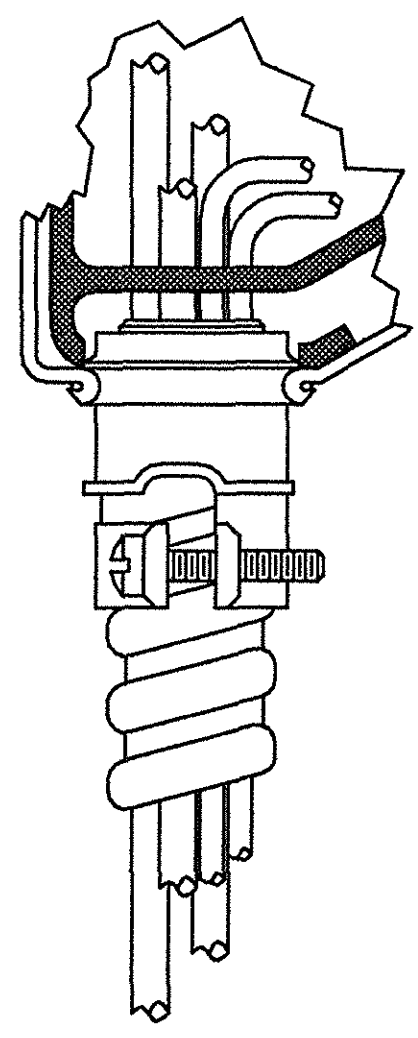
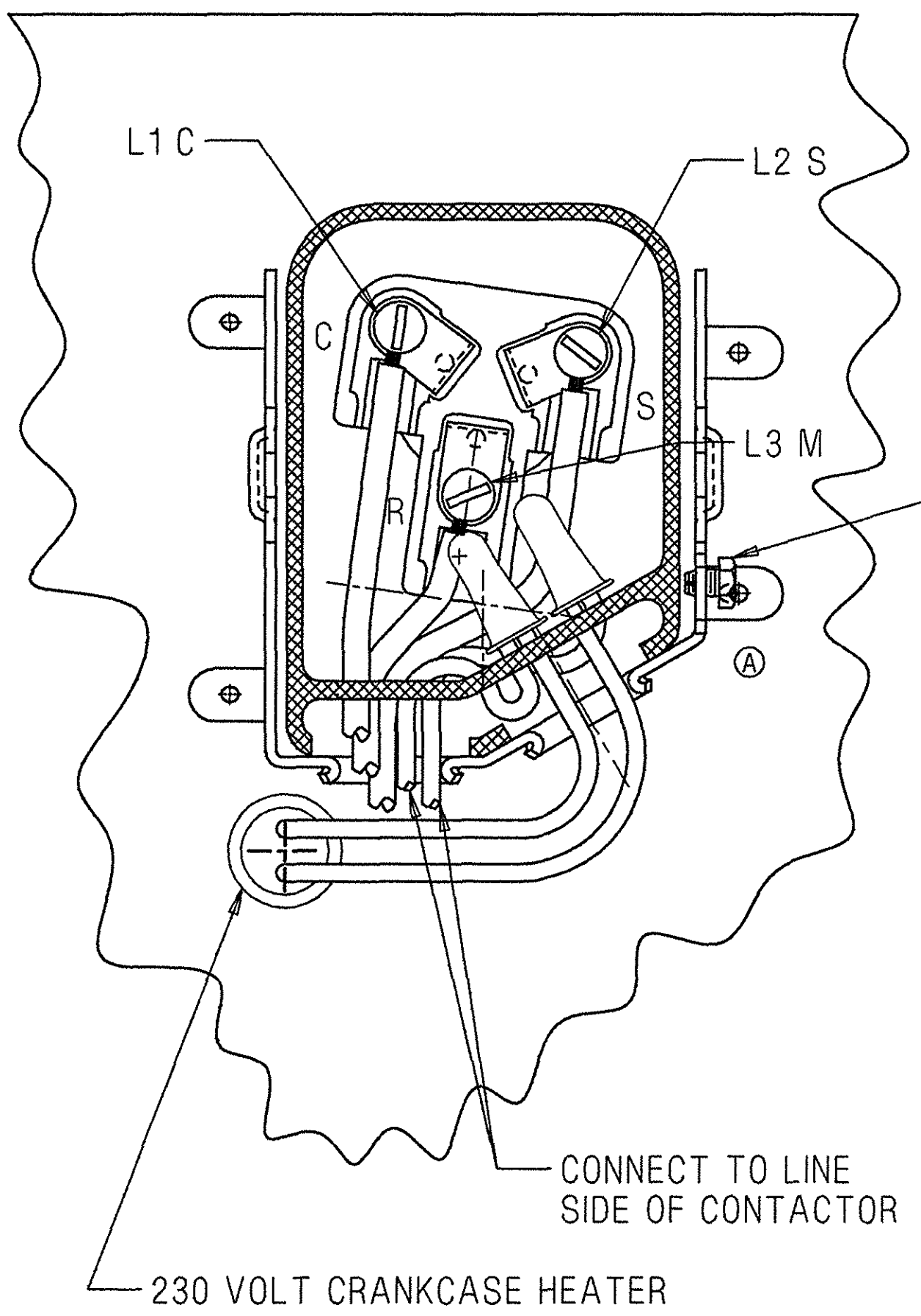


SCHEMATIC WIRING DIAGRAM - 3 PHASE INTERNAL OVERLOAD (LINE BREAK) CRANKCASE HEATER. REF. DWG. MD472-43



ALTERNATE IF CONDUIT IS USED.



ⓑ COMPRESSOR UNIT GROUND (SCREW IS NOT PROVIDED BY T.P. CO.)

WARNING-WIRING DIAGRAM MUST BE FOLLOWED AS SHOWN, ANY MISWIRING CAN CAUSE SERIOUS ELECTRICAL HAZARD AND POTENTIAL DAMAGE OR RUPTURE OF COMPONENT ELECTRICAL PARTS.

AV-3 PHASE-INTERNAL OVERLOAD (LINE BREAK)-CRANKCASE HEATER.

Q.A. SYMBOLS

AV

#223682 ADDED #5C UNIT GROUND 4/9/97		SJS 4/9/97		DATE		<small>THIS DRAWING IS THE PROPERTY OF TECUMSEH PRODUCTS CO. IT IS TO BE USED ONLY FOR THE PROJECT AND CONTAINS INFORMATION BELONGING TO TECUMSEH. IT IS TO BE KEPT IN CONFIDENTIALITY AND NOT DISCLOSED TO ANY OTHERS WITHOUT THE EXPRESS AND WRITTEN PERMISSION OF TECUMSEH PRODUCTS CO. ANY INFORMATION OBTAINED FROM THIS DRAWING IS TO BE KEPT IN CONFIDENTIALITY AND NOT DISCLOSED TO ANY OTHERS WITHOUT THE EXPRESS AND WRITTEN PERMISSION OF TECUMSEH PRODUCTS CO. ANY INFORMATION OBTAINED FROM THIS DRAWING IS TO BE KEPT IN CONFIDENTIALITY AND NOT DISCLOSED TO ANY OTHERS WITHOUT THE EXPRESS AND WRITTEN PERMISSION OF TECUMSEH PRODUCTS CO. ANY INFORMATION OBTAINED FROM THIS DRAWING IS TO BE KEPT IN CONFIDENTIALITY AND NOT DISCLOSED TO ANY OTHERS WITHOUT THE EXPRESS AND WRITTEN PERMISSION OF TECUMSEH PRODUCTS CO.</small>		DIS. CODE 3452		NAME ELECTRICAL HOOK-UP	
#229431 REVISED #A 68 3/18/94		T.M.G. 3/18/94		DATE		<small>THIS DRAWING IS THE PROPERTY OF TECUMSEH PRODUCTS CO. IT IS TO BE USED ONLY FOR THE PROJECT AND CONTAINS INFORMATION BELONGING TO TECUMSEH. IT IS TO BE KEPT IN CONFIDENTIALITY AND NOT DISCLOSED TO ANY OTHERS WITHOUT THE EXPRESS AND WRITTEN PERMISSION OF TECUMSEH PRODUCTS CO. ANY INFORMATION OBTAINED FROM THIS DRAWING IS TO BE KEPT IN CONFIDENTIALITY AND NOT DISCLOSED TO ANY OTHERS WITHOUT THE EXPRESS AND WRITTEN PERMISSION OF TECUMSEH PRODUCTS CO. ANY INFORMATION OBTAINED FROM THIS DRAWING IS TO BE KEPT IN CONFIDENTIALITY AND NOT DISCLOSED TO ANY OTHERS WITHOUT THE EXPRESS AND WRITTEN PERMISSION OF TECUMSEH PRODUCTS CO.</small>		SCALE 1" = 1"		THIS PRINT SUPERSEDES ALL PRINTS PRIOR TO	
REL #222456		REL #222456		DATE		<small>THIS DRAWING IS THE PROPERTY OF TECUMSEH PRODUCTS CO. IT IS TO BE USED ONLY FOR THE PROJECT AND CONTAINS INFORMATION BELONGING TO TECUMSEH. IT IS TO BE KEPT IN CONFIDENTIALITY AND NOT DISCLOSED TO ANY OTHERS WITHOUT THE EXPRESS AND WRITTEN PERMISSION OF TECUMSEH PRODUCTS CO. ANY INFORMATION OBTAINED FROM THIS DRAWING IS TO BE KEPT IN CONFIDENTIALITY AND NOT DISCLOSED TO ANY OTHERS WITHOUT THE EXPRESS AND WRITTEN PERMISSION OF TECUMSEH PRODUCTS CO.</small>		MATERIAL		PART NO. DEAV-4	
L.T. L.C. CHANGE		L.T. L.C. CHANGE		DATE		<small>THIS DRAWING IS THE PROPERTY OF TECUMSEH PRODUCTS CO. IT IS TO BE USED ONLY FOR THE PROJECT AND CONTAINS INFORMATION BELONGING TO TECUMSEH. IT IS TO BE KEPT IN CONFIDENTIALITY AND NOT DISCLOSED TO ANY OTHERS WITHOUT THE EXPRESS AND WRITTEN PERMISSION OF TECUMSEH PRODUCTS CO. ANY INFORMATION OBTAINED FROM THIS DRAWING IS TO BE KEPT IN CONFIDENTIALITY AND NOT DISCLOSED TO ANY OTHERS WITHOUT THE EXPRESS AND WRITTEN PERMISSION OF TECUMSEH PRODUCTS CO.</small>		INTERNAL USE ONLY UGIDISK51(SHERMAN)AV-DEAV041B-C.PRT			