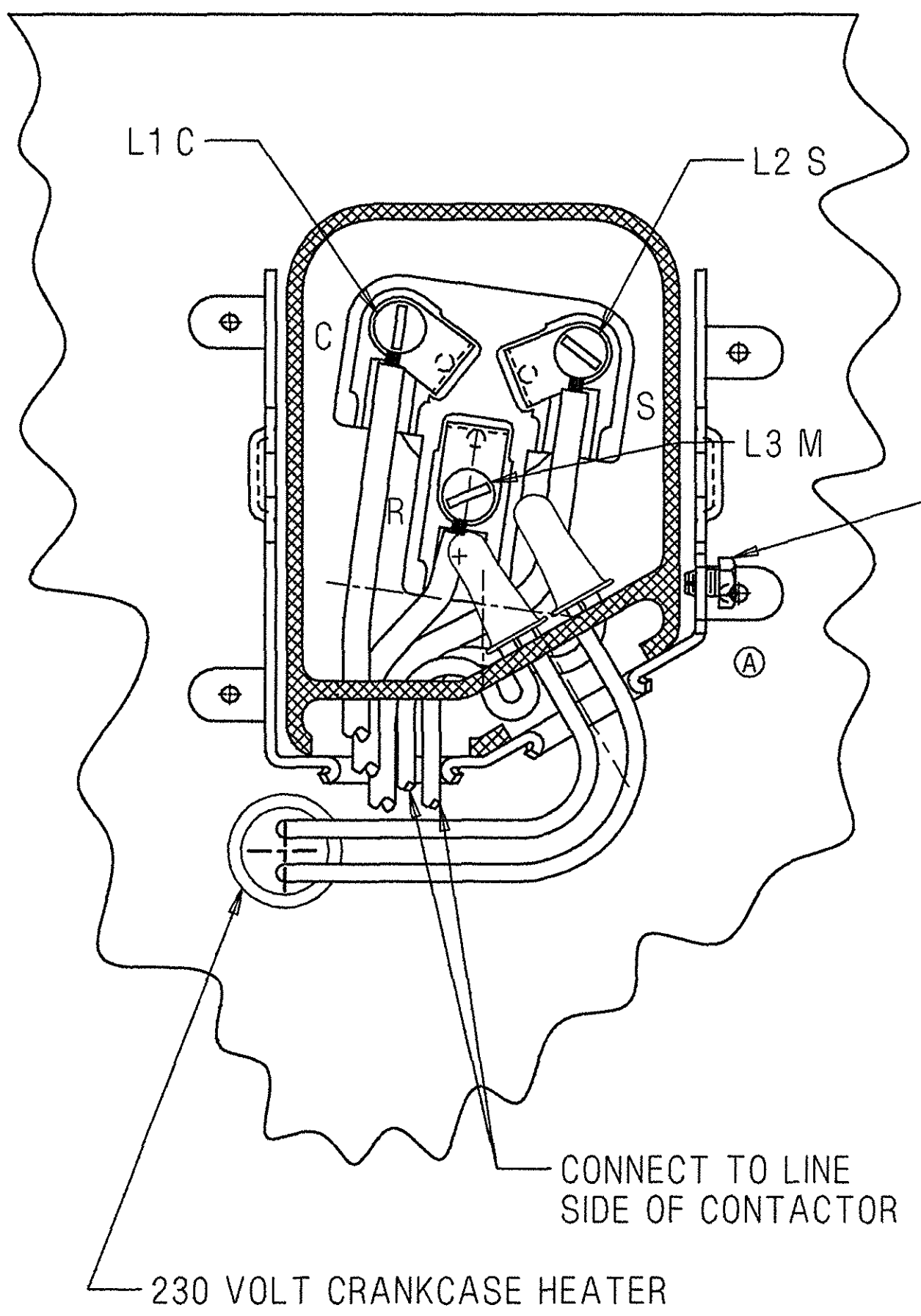
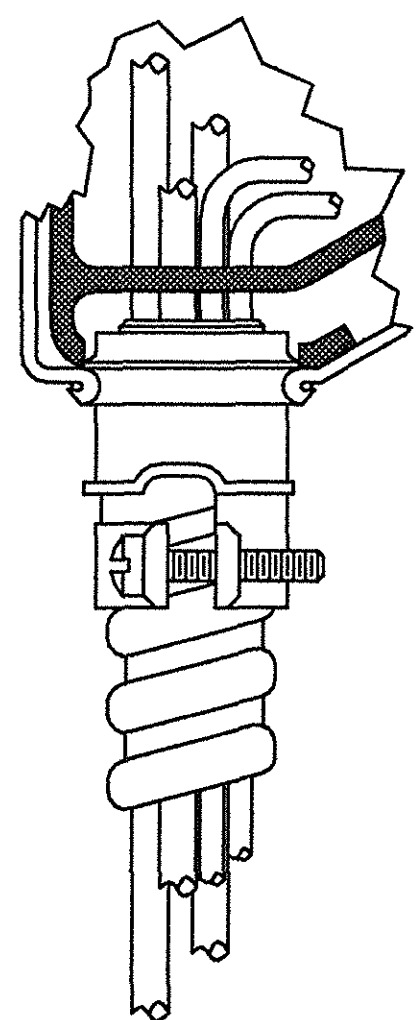


SCHEMATIC WIRING DIAGRAM - 3 PHASE INTERNAL OVERLOAD (LINE BREAK) CRANKCASE HEATER. REF. DWG. MD472-43



ⓑ COMPRESSOR UNIT GROUND (SCREW IS NOT PROVIDED BY T.P. CO.)

WARNING-WIRING DIAGRAM MUST BE FOLLOWED AS SHOWN, ANY MISWIRING CAN CAUSE SERIOUS ELECTRICAL HAZARD AND POTENTIAL DAMAGE OR RUPTURE OF COMPONENT ELECTRICAL PARTS.

AV-3 PHASE-INTERNAL OVERLOAD (LINE BREAK)-CRANKCASE HEATER.

Q.A. SYMBOLS

AV

#223682 ADDED SJS 4/9/97		#229431 T.M.G. 3/18/94		DATE	DATE	DIS. CODE	NAME
#5C UNIT GROUND		#229431 REVISED TERMINAL GUARD		REL #222456		3452	ELECTRICAL HOOK-UP
<p><small>PROPERTY OF SHERMAN ENGINEERING, INC. THIS DRAWING IS THE PROPERTY OF SHERMAN ENGINEERING, INC. IT IS TO BE USED ONLY FOR THE PROJECT AND SITE SPECIFICALLY IDENTIFIED HEREIN. IT IS NOT TO BE REPRODUCED, COPIED, OR TRANSMITTED IN ANY FORM OR BY ANY MEANS, ELECTRONIC OR MECHANICAL, INCLUDING PHOTOCOPYING, RECORDING, OR BY ANY INFORMATION STORAGE AND RETRIEVAL SYSTEM. WITHOUT THE EXPRESS AND EXCLUSIVE WRITTEN PERMISSION OF SHERMAN ENGINEERING, INC., NO PART OF THIS DRAWING SHALL BE REPRODUCED OR TRANSMITTED IN ANY FORM OR BY ANY MEANS, ELECTRONIC OR MECHANICAL, INCLUDING PHOTOCOPYING, RECORDING, OR BY ANY INFORMATION STORAGE AND RETRIEVAL SYSTEM. WITHOUT THE EXPRESS AND EXCLUSIVE WRITTEN PERMISSION OF SHERMAN ENGINEERING, INC., NO PART OF THIS DRAWING SHALL BE REPRODUCED OR TRANSMITTED IN ANY FORM OR BY ANY MEANS, ELECTRONIC OR MECHANICAL, INCLUDING PHOTOCOPYING, RECORDING, OR BY ANY INFORMATION STORAGE AND RETRIEVAL SYSTEM.</small></p>						SCALE	THIS PRINT SUPERSEDES ALL PRINTS PRIOR TO
						1" = 1"	
<p>TECUMSEH PRODUCTS CO. TECUMSEH, MICHIGAN</p>							PART NO.
<p>INTERNAL USE ONLY UGIDISK51(SHERMAN)AV-DEAV041B-C.PRT</p>							DEAV-4