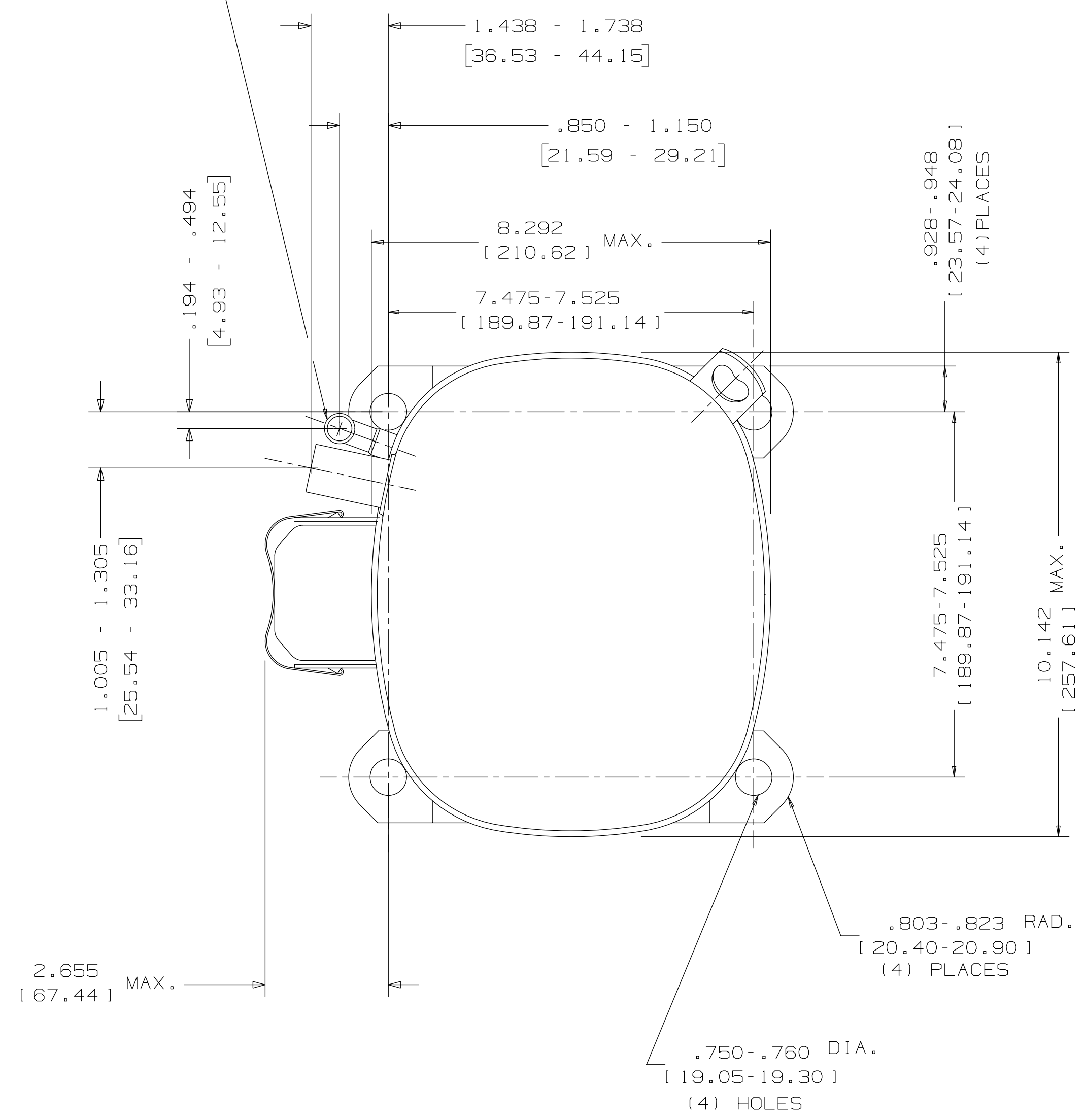
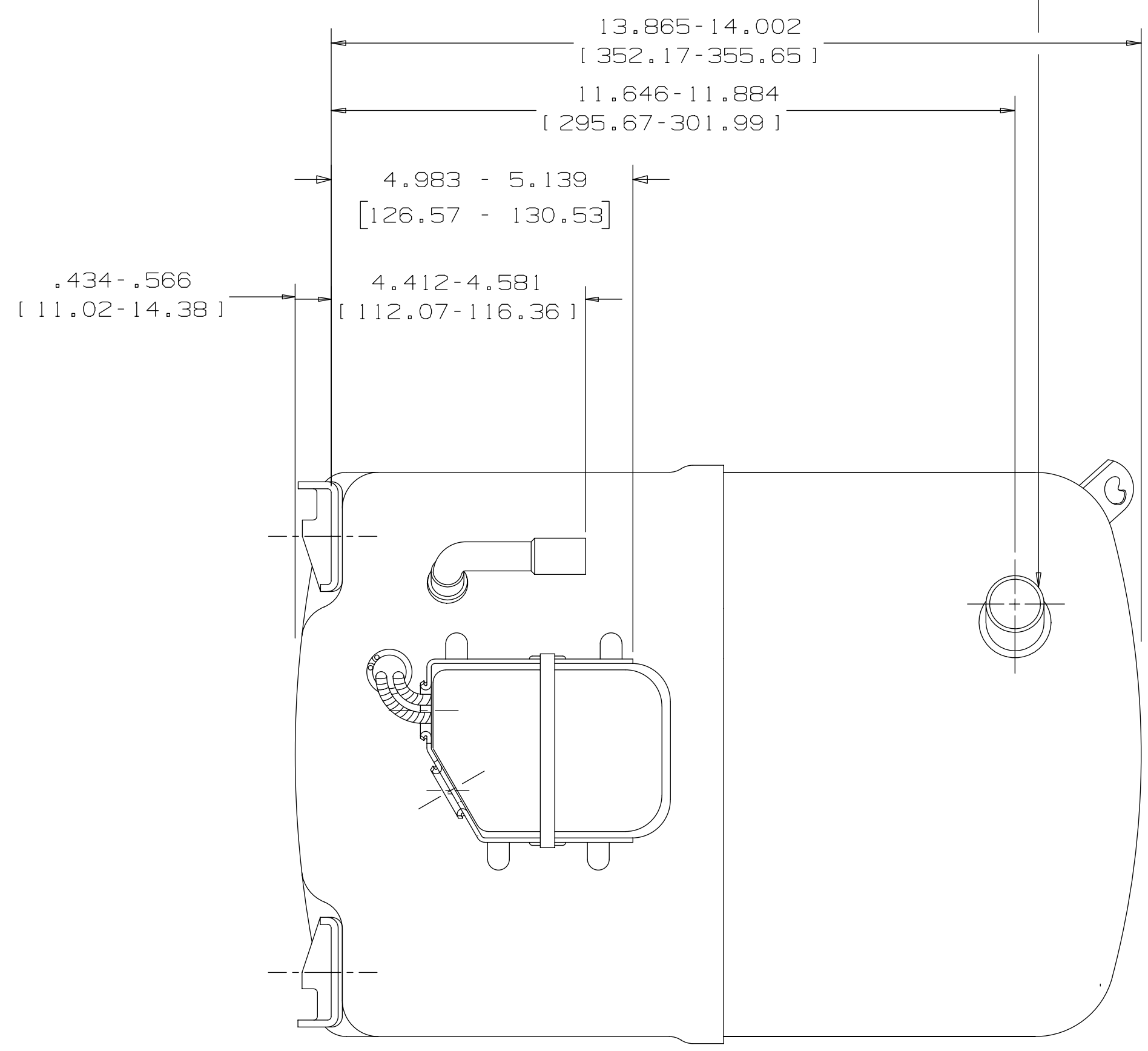


SUCTION - COPPER
I.D. - .878-.883 [22.30-22.43]
× ENTIRE LENGTH
PLUG, -21

DISCHARGE - COPPER
END I.D. - .503-.508 [12.78-12.90]
× .855 MIN. [21.72 MIN.]
PLUG, -11



DIMENSIONS IN BRACKETS ARE MILLIMETERS

3Ø AV

CK. #239337-000 C.M.S. INFO REMOVED 24MAY00 APR.		CK. #239834-000 JJC WAS 26223-1 14NOV89 APR.		CK. #235604-017 JJC WAS HAG77-5 02MRR89 APR.		CK. #235604-006 W.F.M. WAS HAG19-6 9-19-97 APR.		THIS DRAWING OR PRINT SHALL BE THE PROPERTY OF TECUMSEH PRODUCTS CO. COMPANY, TECUMSEH, MICHIGAN. IT IS TO BE RETURNED TO THE COMPANY WITHIN 30 DAYS OF RECEIPT. INFORMATION BELONGING TO TECUMSEH, INCLUDING BUT NOT LIMITED TO, DESIGN, DRAWINGS, PATENTS, TRADE SECRETS, AND OTHER INFORMATION, IS TO BE KEPT CONFIDENTIAL AND NOT DISCLOSED TO ANY OTHER PARTY WITHOUT THE EXPRESS WRITTEN CONSENT AND APPROVAL OF TECUMSEH PRODUCTS CO. COMPANY. ANY UNAUTHORIZED DISCLOSURE OR USE OF THIS INFORMATION SHALL BE AT THE DISCRETION OF TECUMSEH PRODUCTS CO. COMPANY. THIS DRAWING IS THE PROPERTY OF TECUMSEH PRODUCTS CO. COMPANY AND IS TO BE KEPT CONFIDENTIAL AND NOT DISCLOSED TO ANY OTHER PARTY WITHOUT THE EXPRESS WRITTEN CONSENT AND APPROVAL OF TECUMSEH PRODUCTS CO. COMPANY. ANY UNAUTHORIZED DISCLOSURE OR USE OF THIS INFORMATION SHALL BE AT THE DISCRETION OF TECUMSEH PRODUCTS CO. COMPANY.		DIS. CODE NAME SALES COMPRESSOR		THIS PRINT SUPERSEDES ALL PRINTS PRIOR TO	
P -		N 6A		M 5A		L 5A		LT LC CHANGE DATE		DWN. BRODERICK 4/9/92		DRAWING NO. DCAV045	
MATERIAL NOTED		INTERNAL USE ONLY qt:\av\av-dcav045.p-c.prt		TECUMSEH PRODUCTS CO. TECUMSEH, MICHIGAN		DRAWING NO. DCAV045		Q.A. SYMBOLS		Q.A. SYMBOLS		Q.A. SYMBOLS	