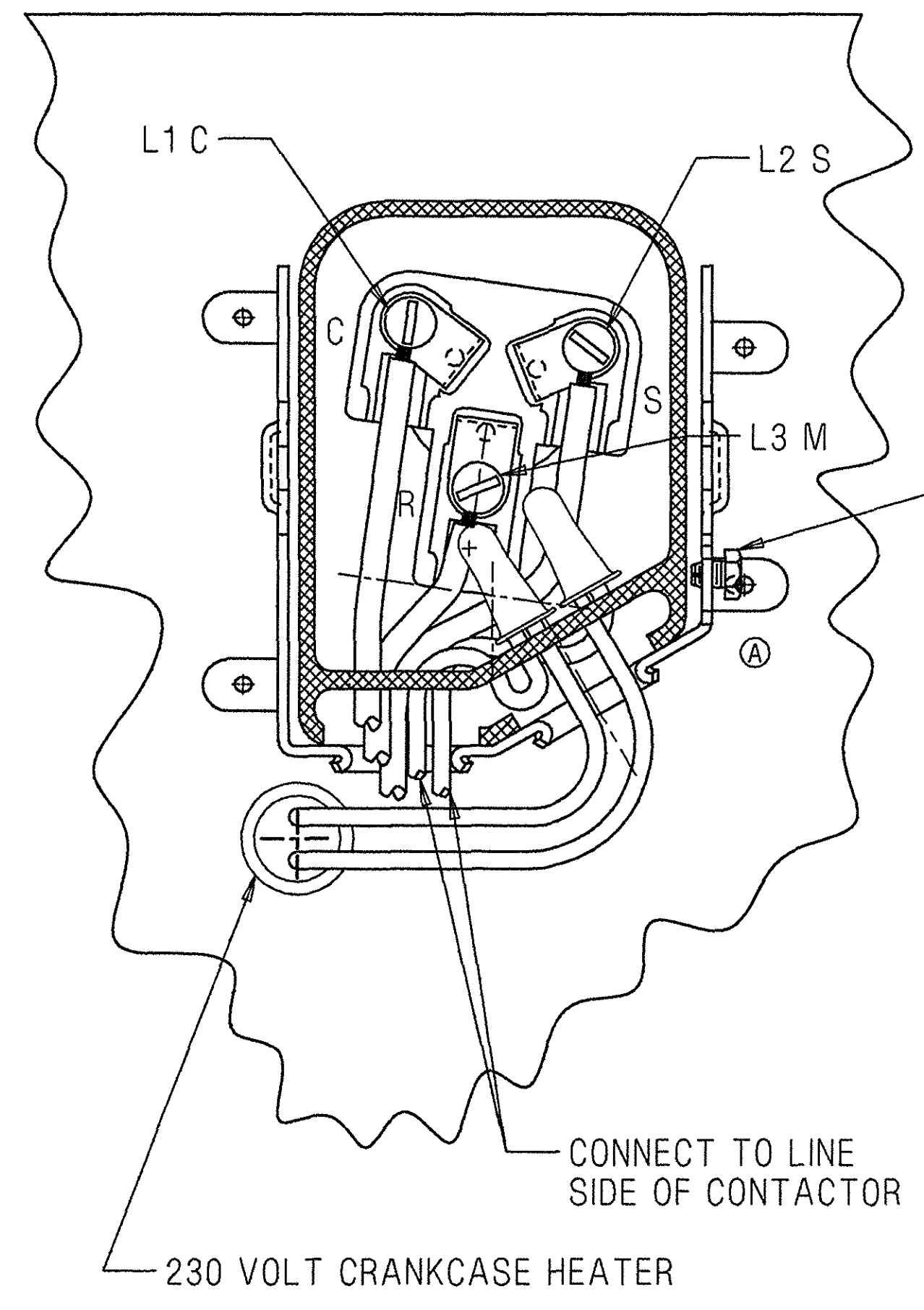
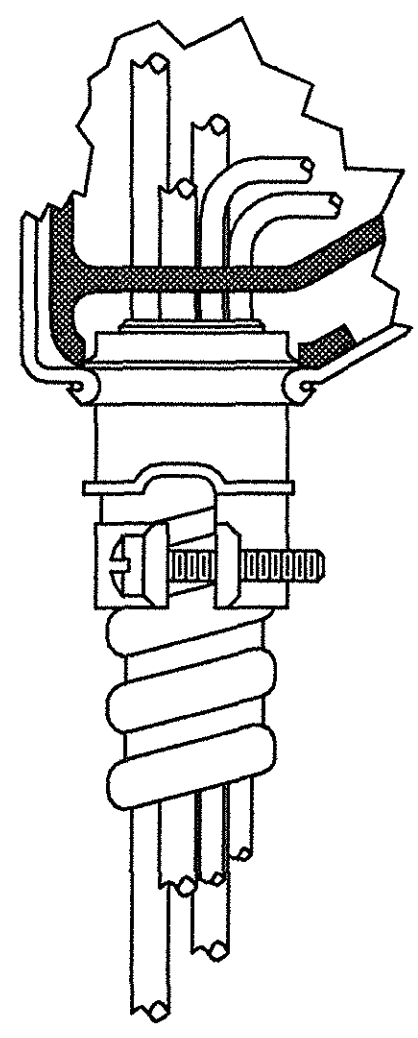


SCHEMATIC WIRING DIAGRAM - 3 PHASE INTERNAL OVERLOAD (LINE BREAK) CRANKCASE HEATER. REF. DWG. MD472-43



WARNING-WIRING DIAGRAM MUST BE FOLLOWED AS SHOWN, ANY MISWIRING CAN CAUSE SERIOUS ELECTRICAL HAZARD AND POTENTIAL DAMAGE OR RUPTURE OF COMPONENT ELECTRICAL PARTS.

AV-3 PHASE-INTERNAL OVERLOAD (LINE BREAK)-CRANKCASE HEATER.

Q.A. SYMBOLS

AV

#223682 ADDED SJS 4/9/97		#229431 T.M.G. 3/18/94		DATE	REL.#222456	DIS. CODE	NAME	ELECTRICAL HOOK-UP	
#5C UNIT GROUND		#68 REVISED TERMINAL GUARD		CHANGE	DATE	3452	SCALE		THIS PRINT SUPERSEDES ALL PRINTS PRIOR TO
B		A		L.T. LC	CHANGE	1" = 1"		PART NO.	
B		A		TECUMSEH PRODUCTS CO. TECUMSEH, MICHIGAN		INTERNAL USE ONLY		DEAV-4	
B		A		UGIDISK51(SHERMAN)AV-DEAV041CB-C.PRT		INTERNAL USE ONLY		UGIDISK51(SHERMAN)AV-DEAV041CB-C.PRT	