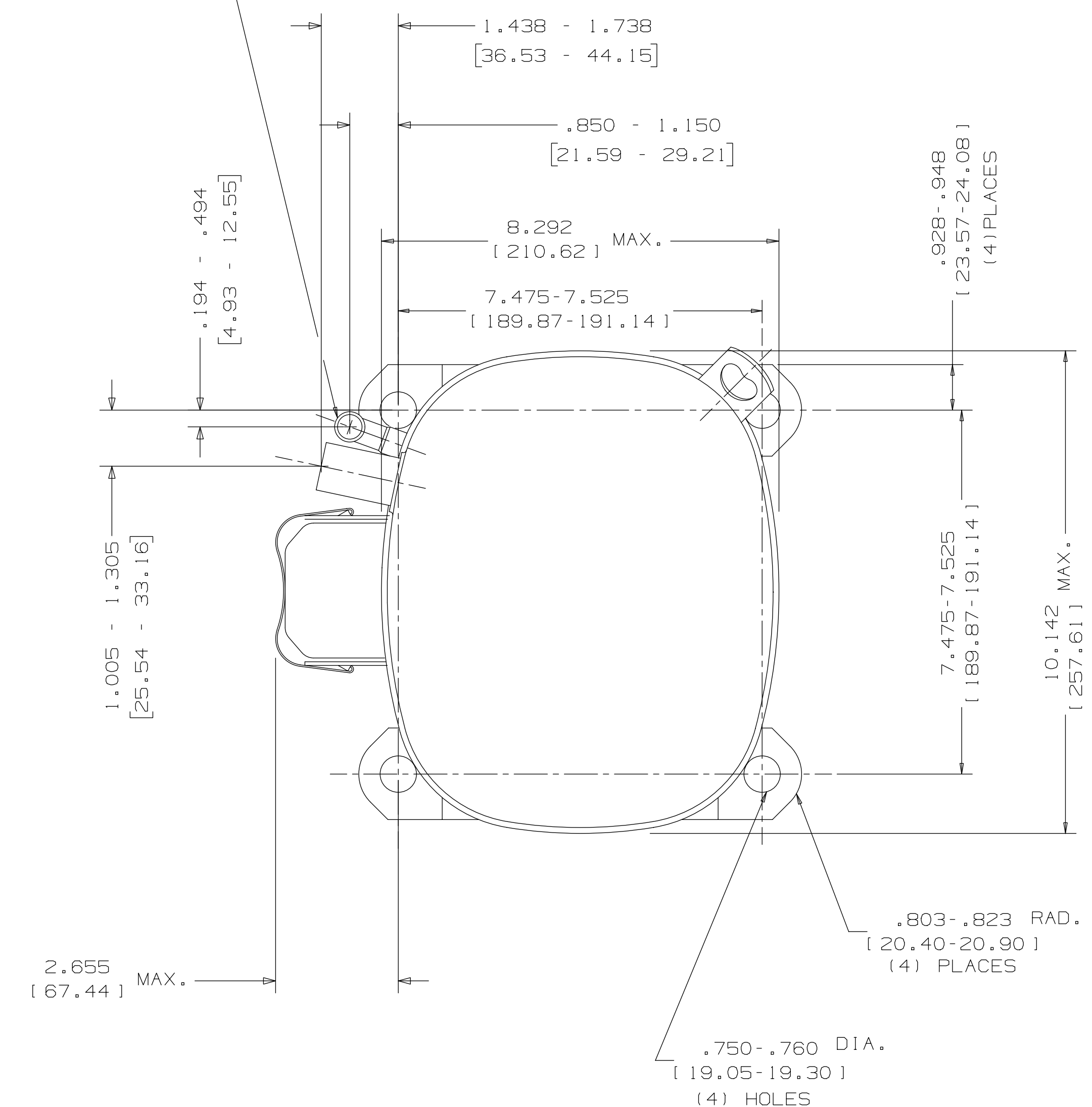
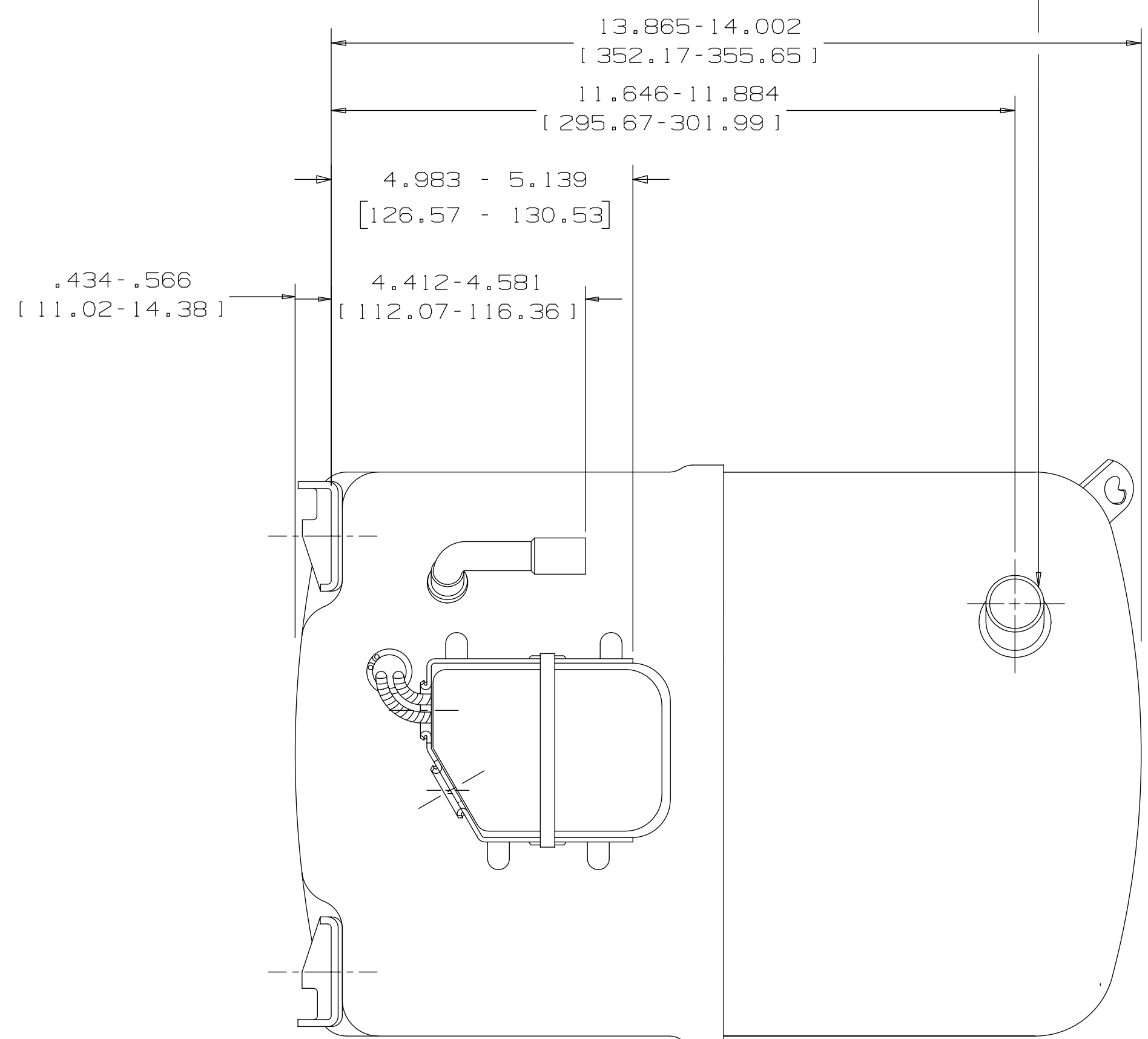


SUCTION - COPPER  
I.D. - .878-.883 [ 22.30-22.43 ]  
× ENTIRE LENGTH  
PLUG, -21

DISCHARGE - COPPER  
END I.D. - .503-.508 [ 12.78-12.90 ]  
× .855 MIN. [ 21.72 MIN. ]  
PLUG, -11



DIMENSIONS IN BRACKETS ARE MILLIMETERS

3Ø AV

Q.A. SYMBOLS

|   |                   |   |   |  |   |                                       |                             |   |   |             |
|---|-------------------|---|---|--|---|---------------------------------------|-----------------------------|---|---|-------------|
| CK. #239337-000<br>C.N.S.<br>INFO REMOVED 24MAY00 | APR.              | CK. #239334-000<br>JJC<br>WAS 26223-1 14NOV89 | CK. #235604-017<br>JJC<br>WAS HAG77-5 02MRR89 | CK. #235604-006<br>W.F.M.<br>WAS HAG19-6 9-19-97 | LT LC CHANGE DATE<br>THIS DRAWING OR PRINT IS THE PROPERTY OF TECUMSEH PRODUCTS CO. INFORMATION BELONGING TO TECUMSEH, COMPANY, TECUMSEH, MICHIGAN, IS NOT TO BE REPRODUCED OR TRANSMITTED IN ANY FORM OR BY ANY MEANS, ELECTRONIC OR MECHANICAL, INCLUDING PHOTOCOPYING, RECORDING, OR BY ANY INFORMATION STORAGE AND RETRIEVAL SYSTEM, WITHOUT THE EXPRESS AND WRITTEN PERMISSION OF TECUMSEH PRODUCTS CO. ANY UNAUTHORIZED REPRODUCTION OR TRANSMISSION OF THIS DRAWING OR PRINT IS STRICTLY PROHIBITED. | DIS. CODE<br>NAME<br>SALES COMPRESSOR | DWN.<br>BRODERICK<br>4/9/92 | CK. #239334-000<br>JJC<br>WAS 26223-1 14NOV89 | THIS PRINT SUPERSEDES ALL PRINTS PRIOR TO   |             |
|   | APR.              |   |   |  |   |                                       |                             |   | TECUMSEH PRODUCTS CO.<br>TECUMSEH, MICHIGAN | DRAWING NO. |
|   | MATERIAL<br>NOTED |   |   |  |   |                                       |                             |   | DCAV045                                     |             |