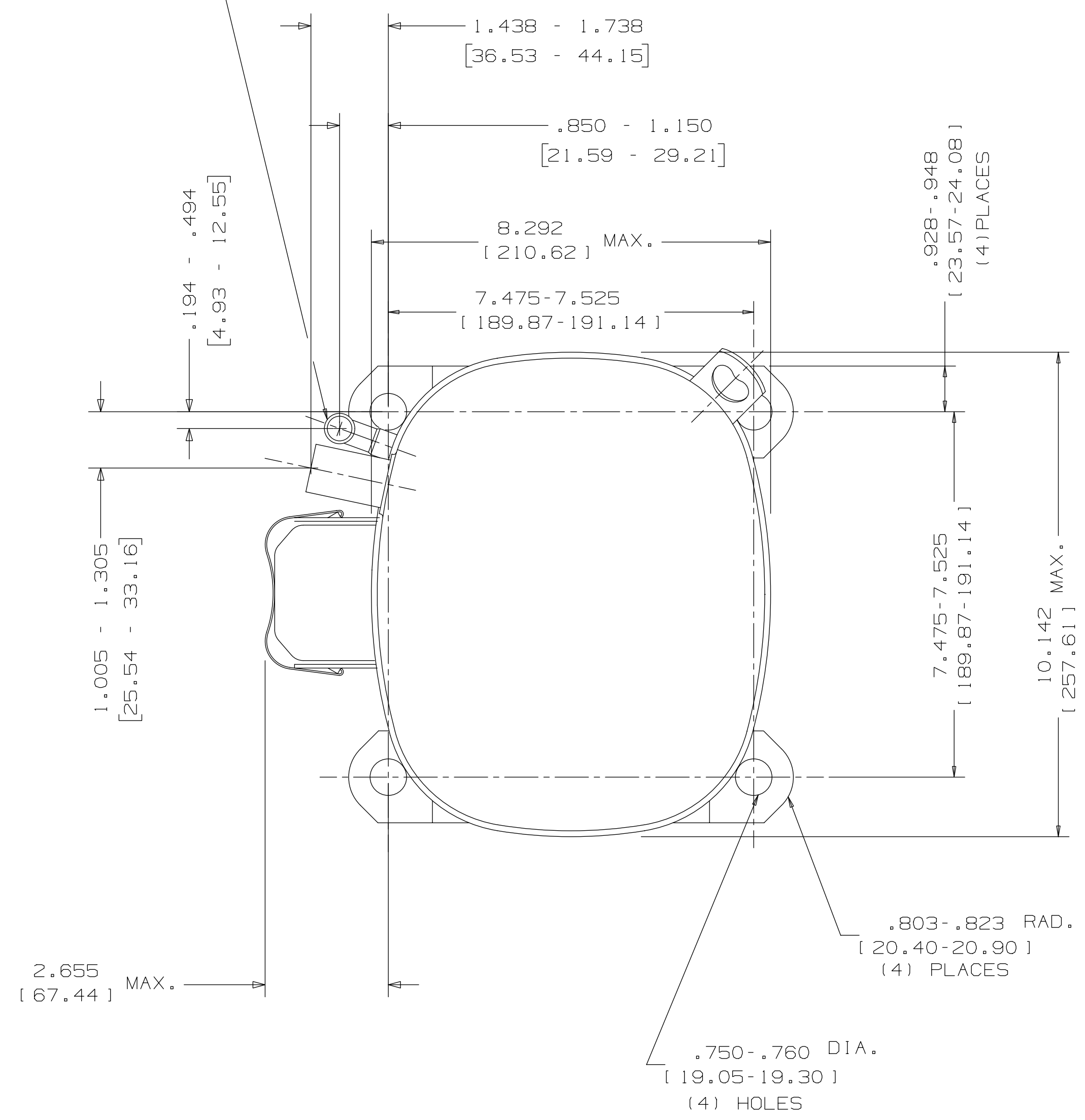
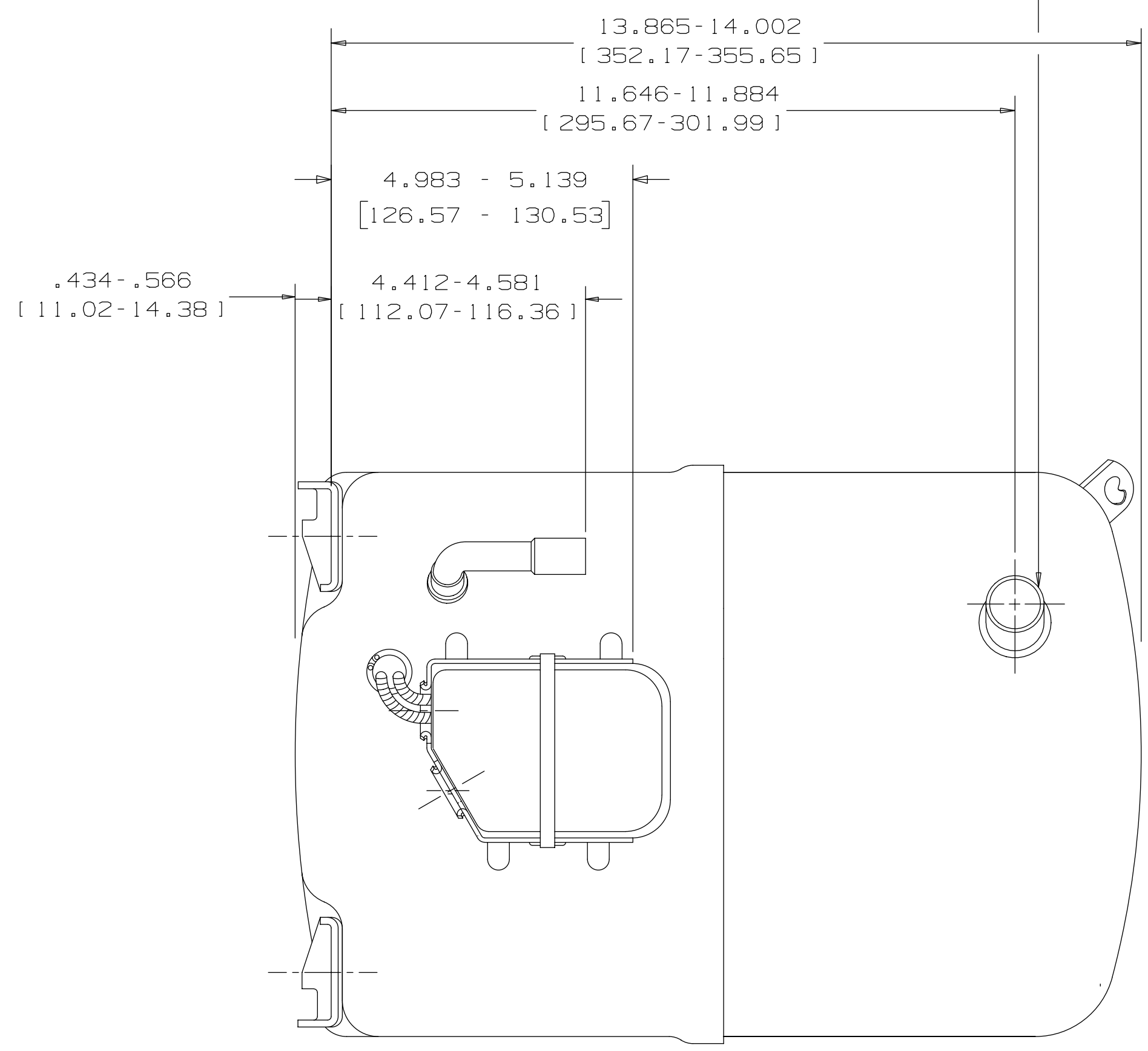


SUCTION - COPPER
I.D. - .878-.883 [22.30-22.43]
× ENTIRE LENGTH
PLUG, -21

DISCHARGE - COPPER
END I.D. - .503-.508 [12.78-12.90]
× .855 MIN. [21.72 MIN.]
PLUG, -11



DIMENSIONS IN BRACKETS ARE MILLIMETERS

3Ø AV

CK. #239337-000 C.M.S. INFO REMOVED 2/4/00 APR.		CK. #239334-000 JJC WAS 26223-1 1/4NDV89 APR.		CK. #235604-017 JJC WAS HAG77-5 02MR89 APR.		CK. #235604-006 W.F.M. WAS HAG19-6 9-19-97 APR.		THIS DRAWING OR PRINT SHALL BE THE PROPERTY OF TECUMSEH PRODUCTS CO. AND SHALL REMAIN THE PROPERTY OF TECUMSEH PRODUCTS CO. IF IT IS REPRODUCED OR TRANSMITTED IN ANY FORM OR BY ANY MEANS, ELECTRONIC OR MECHANICAL, INCLUDING PHOTOCOPYING, RECORDING, OR BY ANY INFORMATION STORAGE AND RETRIEVAL SYSTEM, WITHOUT THE EXPRESS AND WRITTEN PERMISSION OF TECUMSEH PRODUCTS CO. ANY UNAUTHORIZED REPRODUCTION OR TRANSMISSION OF THIS DRAWING OR PRINT SHALL BE THE RESPONSIBILITY OF THE USER.		DIS. CODE NAME SALES COMPRESSOR		THIS PRINT SUPERSEDES ALL PRINTS PRIOR TO	
CK. #239337-000 C.M.S. INFO REMOVED 2/4/00 APR.		CK. #239334-000 JJC WAS 26223-1 1/4NDV89 APR.		CK. #235604-017 JJC WAS HAG77-5 02MR89 APR.		CK. #235604-006 W.F.M. WAS HAG19-6 9-19-97 APR.		DO NOT SCALE THIS DRAWING. ALL DIMENSIONS SHALL BE TAKEN FROM THE DRAWING. DIMENSIONS NOT BEING SPECIFIED SHALL BE TAKEN FROM THE DRAWING. DIMENSIONS NOT BEING SPECIFIED SHALL BE TAKEN FROM THE DRAWING. DIMENSIONS NOT BEING SPECIFIED SHALL BE TAKEN FROM THE DRAWING.		DWN. BRODERICK 4/9/92 CK. W. B.		DRAWING NO. DCAV045	
CK. #239337-000 C.M.S. INFO REMOVED 2/4/00 APR.		CK. #239334-000 JJC WAS 26223-1 1/4NDV89 APR.		CK. #235604-017 JJC WAS HAG77-5 02MR89 APR.		CK. #235604-006 W.F.M. WAS HAG19-6 9-19-97 APR.		MATERIAL NOTED		INTERNAL USE ONLY qt:\av\av-dcav045.p-c.prt		DRAWING NO. DCAV045	

Q.A. SYMBOLS

DCAV045