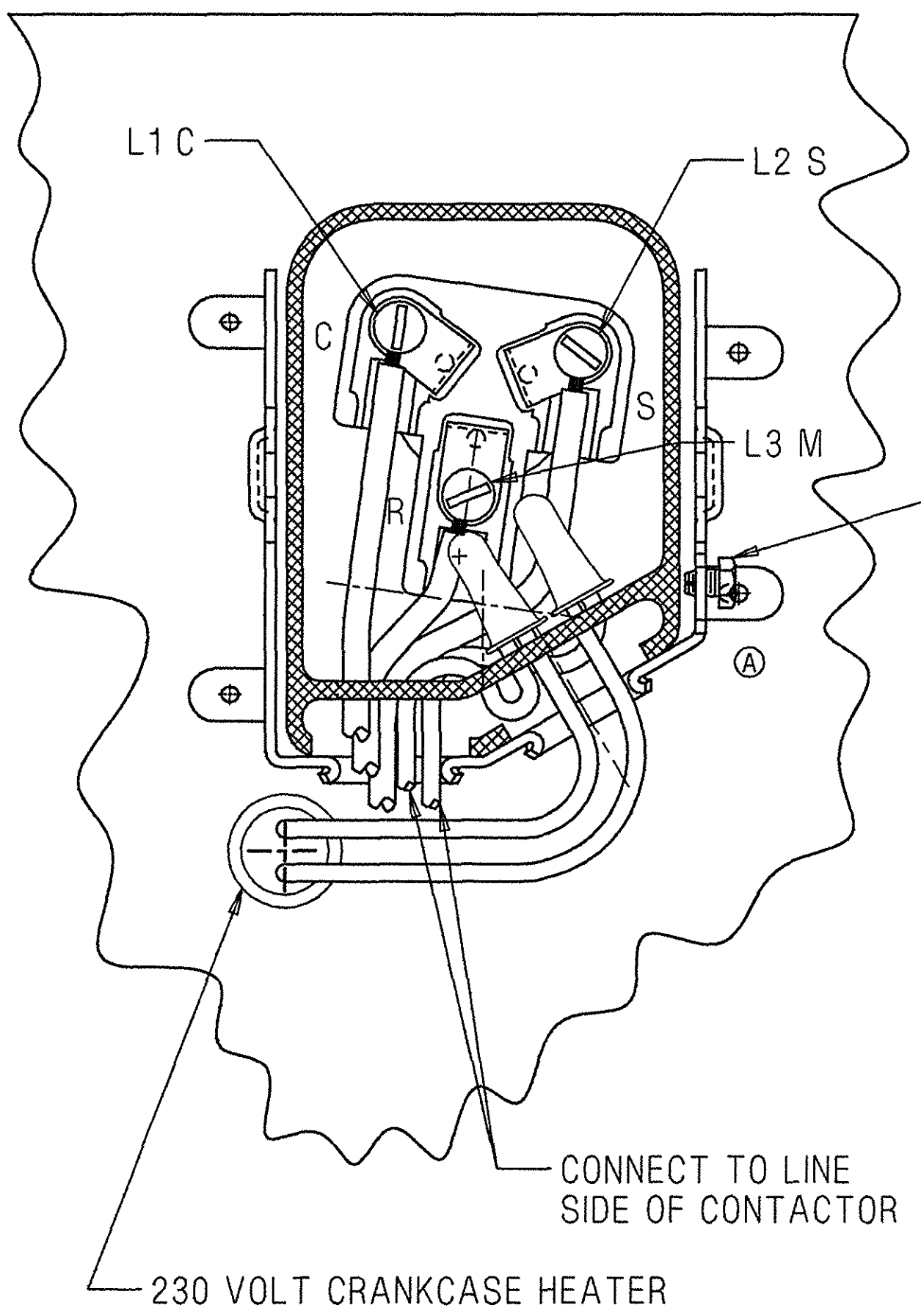
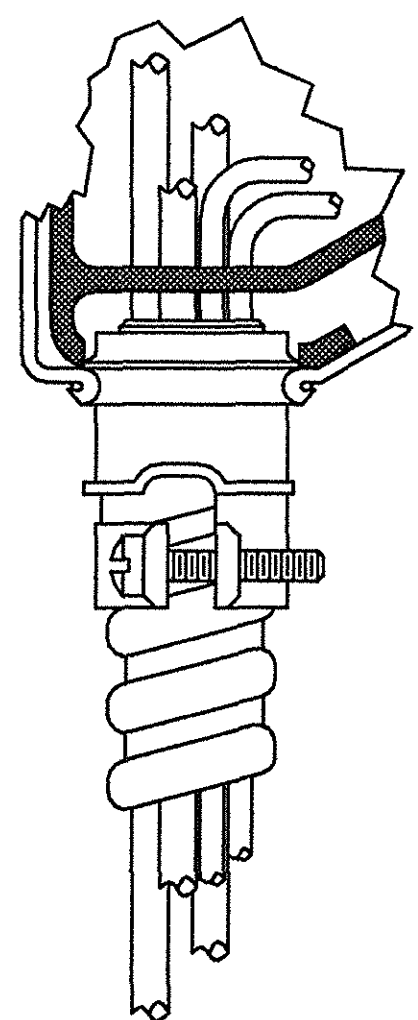


SCHEMATIC WIRING DIAGRAM - 3 PHASE INTERNAL OVERLOAD (LINE BREAK) CRANKCASE HEATER. REF. DWG. MD472-43



ⓑ COMPRESSOR UNIT GROUND (SCREW IS NOT PROVIDED BY T.P. CO.)

WARNING-WIRING DIAGRAM MUST BE FOLLOWED AS SHOWN, ANY MISWIRING CAN CAUSE SERIOUS ELECTRICAL HAZARD AND POTENTIAL DAMAGE OR RUPTURE OF COMPONENT ELECTRICAL PARTS.

AV-3 PHASE-INTERNAL OVERLOAD (LINE BREAK)-CRANKCASE HEATER.

Q.A. SYMBOLS

AV

#223682 ADDED #5C UNIT GROUND 4/9/97		SJS 4/9/97		DATE		<small>THIS DRAWING IS THE PROPERTY OF TECUMSEH PRODUCTS CO. COMPANY, TECUMSEH, MICHIGAN. IT CONTAINS INFORMATION BELONGING TO TECUMSEH. IT IS TO BE KEPT IN CONFIDENCE AND NOT TO BE REPRODUCED OR DISCLOSED TO ANY OTHER PERSON WITHOUT THE EXPRESS AND WRITTEN PERMISSION OF TECUMSEH PRODUCTS CO. COMPANY. ONLY AS EXPRESSLY AND SPECIFICALLY AUTHORIZED BY TECUMSEH PRODUCTS CO. COMPANY. ANY MISUSE OF THIS DRAWING SHALL BE AT THE USER'S RISK AND WITHOUT LIABILITY TO TECUMSEH PRODUCTS CO. COMPANY. THIS DRAWING IS TO BE RETURNED TO THE DRAWING OFFICE IMMEDIATELY AFTER USE.</small>		DIS. CODE 3452		NAME ELECTRICAL HOOK-UP	
#229431 REVISED TERMINAL GUARD 3/18/94		T.M.G. 3/18/94		REL.#222456		SCALE 1" = 1"		THIS PRINT SUPERSEDES ALL PRINTS PRIOR TO		PART NO. DEAV-4	
L.T. L.C. CHANGE		MATERIAL		INTERNAL USE ONLY UGIDISK51(SHERMAN)AV-DEAV041B-C.PRT		TECUMSEH PRODUCTS CO. TECUMSEH, MICHIGAN					