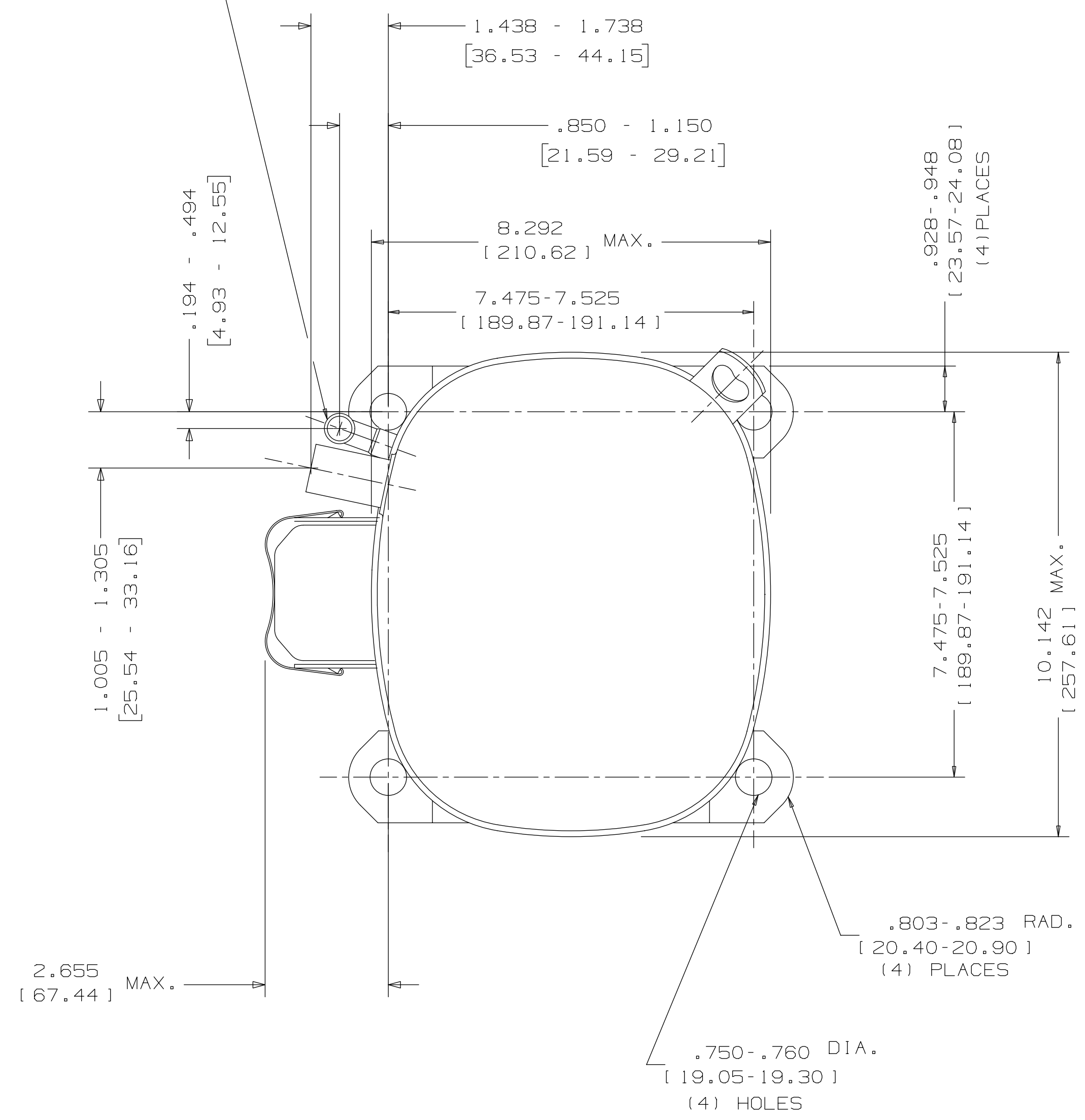
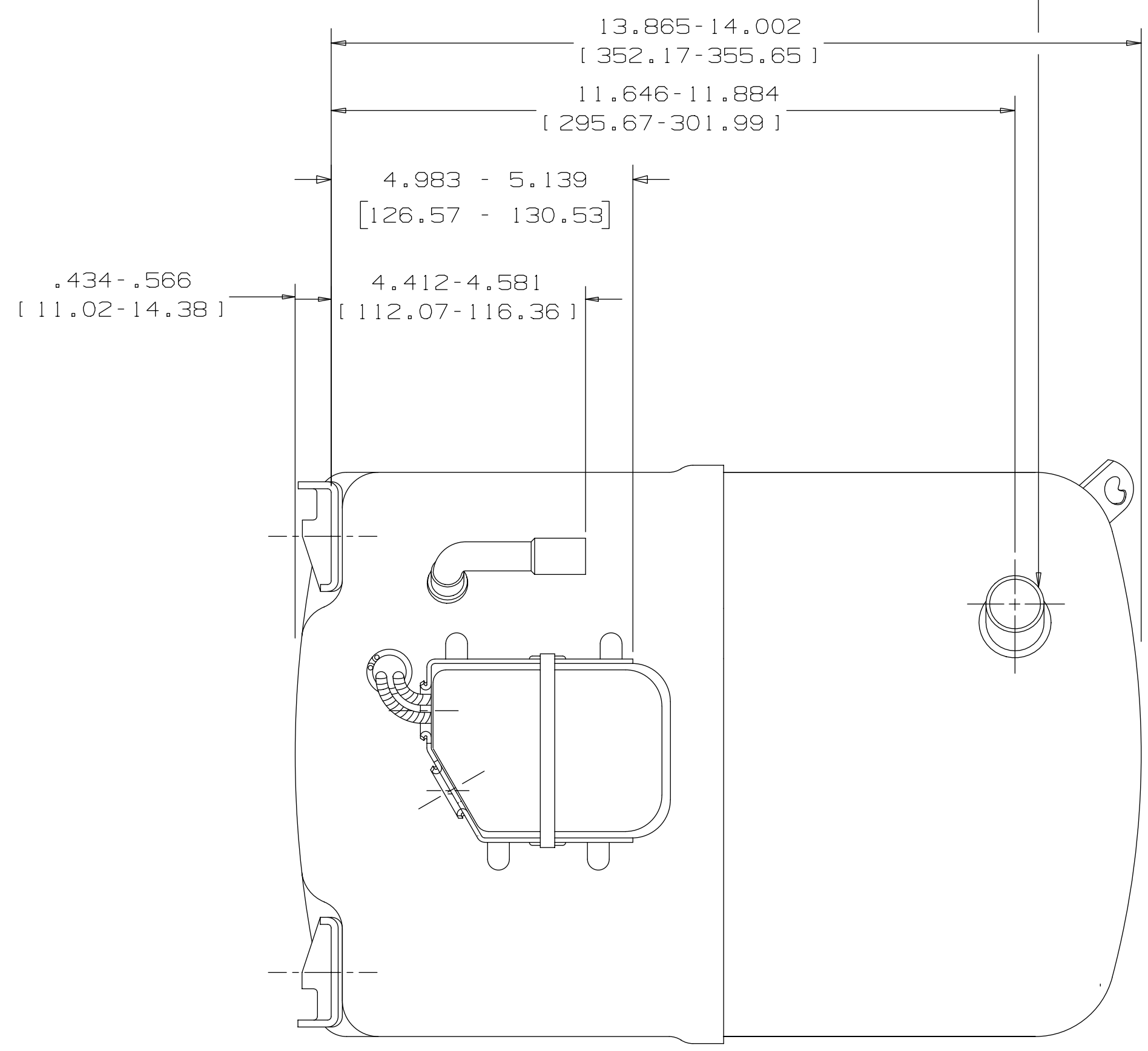


SUCTION - COPPER
I.D. - .878-.883 [22.30-22.43]
× ENTIRE LENGTH
PLUG, -21

DISCHARGE - COPPER
END I.D. - .503-.508 [12.78-12.90]
× .855 MIN. [21.72 MIN.]
PLUG, -11



DIMENSIONS IN BRACKETS ARE MILLIMETERS

3Ø AV

CK. #239337-000 C.M.S. INFO REMOVED 24MAY00 APR.		CK. #239834-000 JJC WAS 26223-1 14NOV89 APR.		CK. #235604-017 JJC WAS HAG77-5 02MRR89 APR.		CK. #235604-006 W.F.M. WAS HAG19-6 9-19-97 APR.		THIS DRAWING OR PRINT SHALL BE THE PROPERTY OF TECUMSEH PRODUCTS CO. COMPANY, TECUMSEH, MICHIGAN. IT IS TO BE RETURNED TO THE COMPANY WITHIN 30 DAYS OF RECEIPT. INFORMATION BELONGING TO TECUMSEH, COMPANY IS TO BE KEPT CONFIDENTIAL AND NOT DISCLOSED TO ANY OTHER PARTY WITHOUT THE EXPRESS AND WRITTEN CONSENT OF TECUMSEH PRODUCTS CO. COMPANY. ANY INFORMATION DISCLOSED TO ANY OTHER PARTY WITHOUT THE EXPRESS AND WRITTEN CONSENT OF TECUMSEH PRODUCTS CO. COMPANY SHALL BE DEEMED TO BE THE PROPERTY OF TECUMSEH PRODUCTS CO. COMPANY. ANY INFORMATION DISCLOSED TO ANY OTHER PARTY WITHOUT THE EXPRESS AND WRITTEN CONSENT OF TECUMSEH PRODUCTS CO. COMPANY SHALL BE DEEMED TO BE THE PROPERTY OF TECUMSEH PRODUCTS CO. COMPANY. ANY INFORMATION DISCLOSED TO ANY OTHER PARTY WITHOUT THE EXPRESS AND WRITTEN CONSENT OF TECUMSEH PRODUCTS CO. COMPANY SHALL BE DEEMED TO BE THE PROPERTY OF TECUMSEH PRODUCTS CO. COMPANY.		DIS. CODE NAME SALES COMPRESSOR		THIS PRINT SUPERSEDES ALL PRINTS PRIOR TO	
CK. #239337-000 C.M.S. INFO REMOVED 24MAY00 APR.		CK. #239834-000 JJC WAS 26223-1 14NOV89 APR.		CK. #235604-017 JJC WAS HAG77-5 02MRR89 APR.		CK. #235604-006 W.F.M. WAS HAG19-6 9-19-97 APR.		THIS DRAWING OR PRINT SHALL BE THE PROPERTY OF TECUMSEH PRODUCTS CO. COMPANY, TECUMSEH, MICHIGAN. IT IS TO BE RETURNED TO THE COMPANY WITHIN 30 DAYS OF RECEIPT. INFORMATION BELONGING TO TECUMSEH, COMPANY IS TO BE KEPT CONFIDENTIAL AND NOT DISCLOSED TO ANY OTHER PARTY WITHOUT THE EXPRESS AND WRITTEN CONSENT OF TECUMSEH PRODUCTS CO. COMPANY. ANY INFORMATION DISCLOSED TO ANY OTHER PARTY WITHOUT THE EXPRESS AND WRITTEN CONSENT OF TECUMSEH PRODUCTS CO. COMPANY SHALL BE DEEMED TO BE THE PROPERTY OF TECUMSEH PRODUCTS CO. COMPANY. ANY INFORMATION DISCLOSED TO ANY OTHER PARTY WITHOUT THE EXPRESS AND WRITTEN CONSENT OF TECUMSEH PRODUCTS CO. COMPANY SHALL BE DEEMED TO BE THE PROPERTY OF TECUMSEH PRODUCTS CO. COMPANY.		DWN. BRODERICK 4/9/92 CK. W. B.		DRAWING NO. DCAV045	
CK. #239337-000 C.M.S. INFO REMOVED 24MAY00 APR.		CK. #239834-000 JJC WAS 26223-1 14NOV89 APR.		CK. #235604-017 JJC WAS HAG77-5 02MRR89 APR.		CK. #235604-006 W.F.M. WAS HAG19-6 9-19-97 APR.		THIS DRAWING OR PRINT SHALL BE THE PROPERTY OF TECUMSEH PRODUCTS CO. COMPANY, TECUMSEH, MICHIGAN. IT IS TO BE RETURNED TO THE COMPANY WITHIN 30 DAYS OF RECEIPT. INFORMATION BELONGING TO TECUMSEH, COMPANY IS TO BE KEPT CONFIDENTIAL AND NOT DISCLOSED TO ANY OTHER PARTY WITHOUT THE EXPRESS AND WRITTEN CONSENT OF TECUMSEH PRODUCTS CO. COMPANY. ANY INFORMATION DISCLOSED TO ANY OTHER PARTY WITHOUT THE EXPRESS AND WRITTEN CONSENT OF TECUMSEH PRODUCTS CO. COMPANY SHALL BE DEEMED TO BE THE PROPERTY OF TECUMSEH PRODUCTS CO. COMPANY. ANY INFORMATION DISCLOSED TO ANY OTHER PARTY WITHOUT THE EXPRESS AND WRITTEN CONSENT OF TECUMSEH PRODUCTS CO. COMPANY SHALL BE DEEMED TO BE THE PROPERTY OF TECUMSEH PRODUCTS CO. COMPANY.		MATERIAL NOTED		INTERNAL USE ONLY qt:\av\av-dcav045.p-c.prt	

Q.A. SYMBOLS

DCAV045