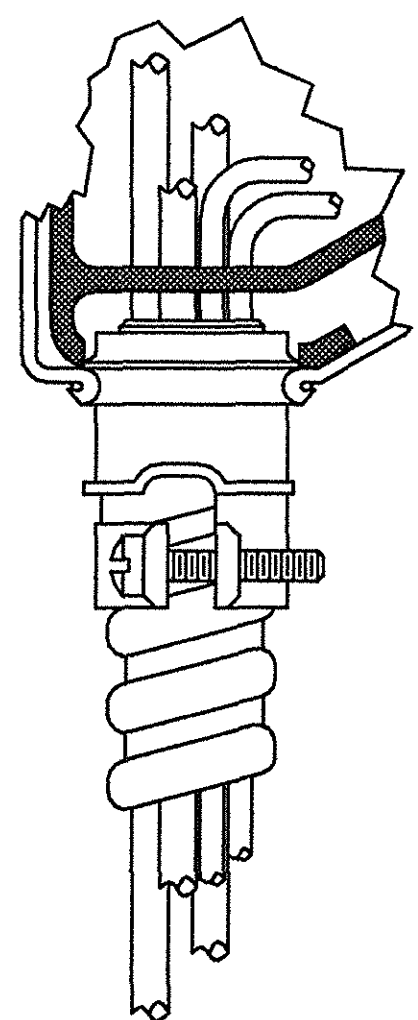
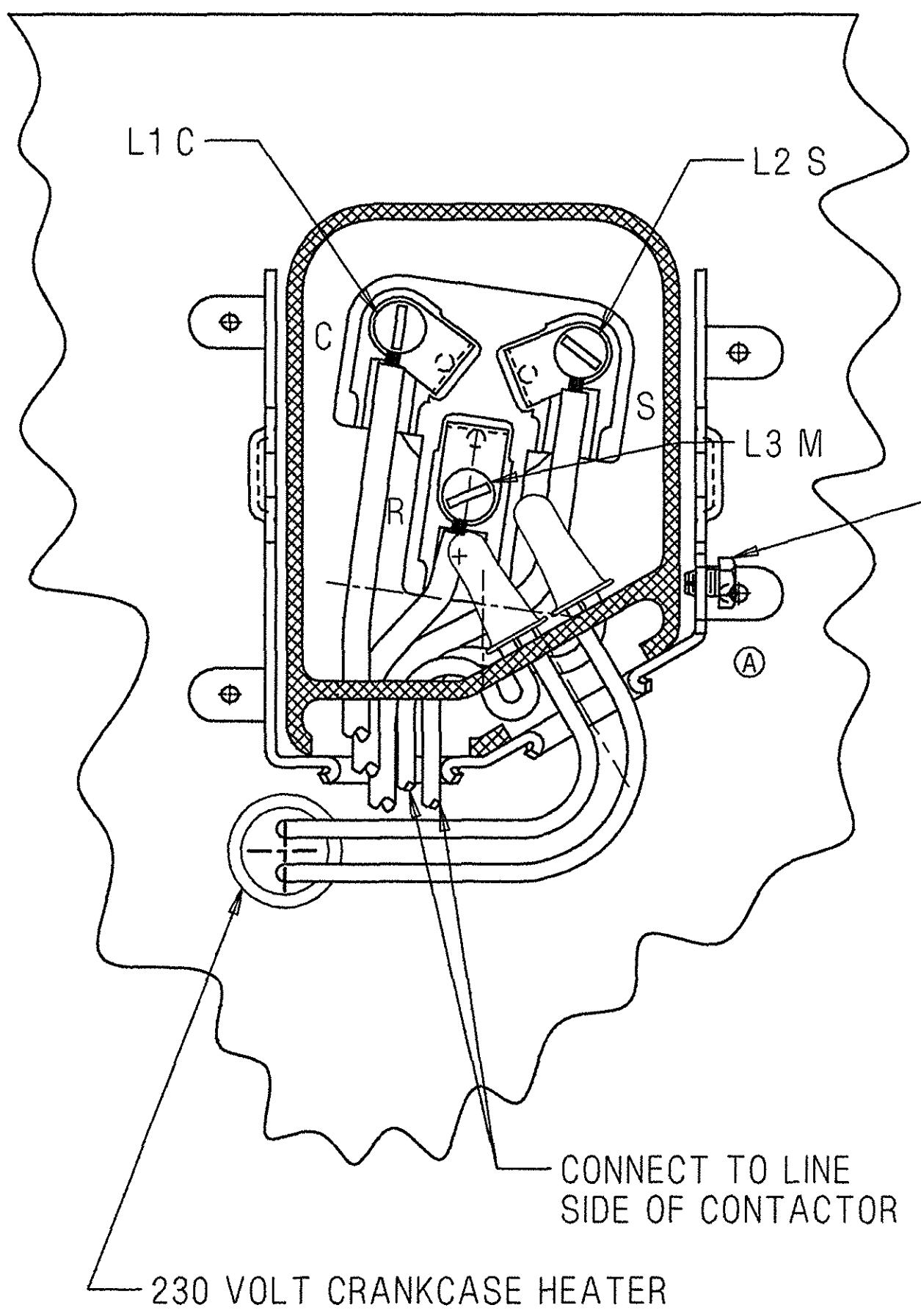


SCHEMATIC WIRING DIAGRAM - 3 PHASE INTERNAL OVERLOAD (LINE BREAK) CRANKCASE HEATER. REF. DWG. MD472-43



ALTERNATE IF CONDUIT IS USED.



ⓑ COMPRESSOR UNIT GROUND (SCREW IS NOT PROVIDED BY T.P. CO.)

WARNING-WIRING DIAGRAM MUST BE FOLLOWED AS SHOWN, ANY MISWIRING CAN CAUSE SERIOUS ELECTRICAL HAZARD AND POTENTIAL DAMAGE OR RUPTURE OF COMPONENT ELECTRICAL PARTS.

AV-3 PHASE-INTERNAL OVERLOAD (LINE BREAK)-CRANKCASE HEATER.

Q.A. SYMBOLS

AV

#223682 ADDED #5C UNIT GROUND 4/9/97		SJS		DATE		DATE		DIS. CODE		NAME	
#229431 #68 REVISED TERMINAL GUARD		T.M.G.		3/18/94		DATE		3452		ELECTRICAL HOOK-UP	
REL #222456		CHANGE		DATE		DATE		SCALE		THIS PRINT SUPERSEDES ALL PRINTS PRIOR TO	
B		A		L.T.		L.C.		1" = 1"		PART NO.	
TECUMSEH PRODUCTS CO. TECUMSEH, MICHIGAN		INTERNAL USE ONLY UGIDISK51(SHERMAN)AV-DEAV04CB-C.PRT		MATERIAL		PART NO.		DEAV-4			