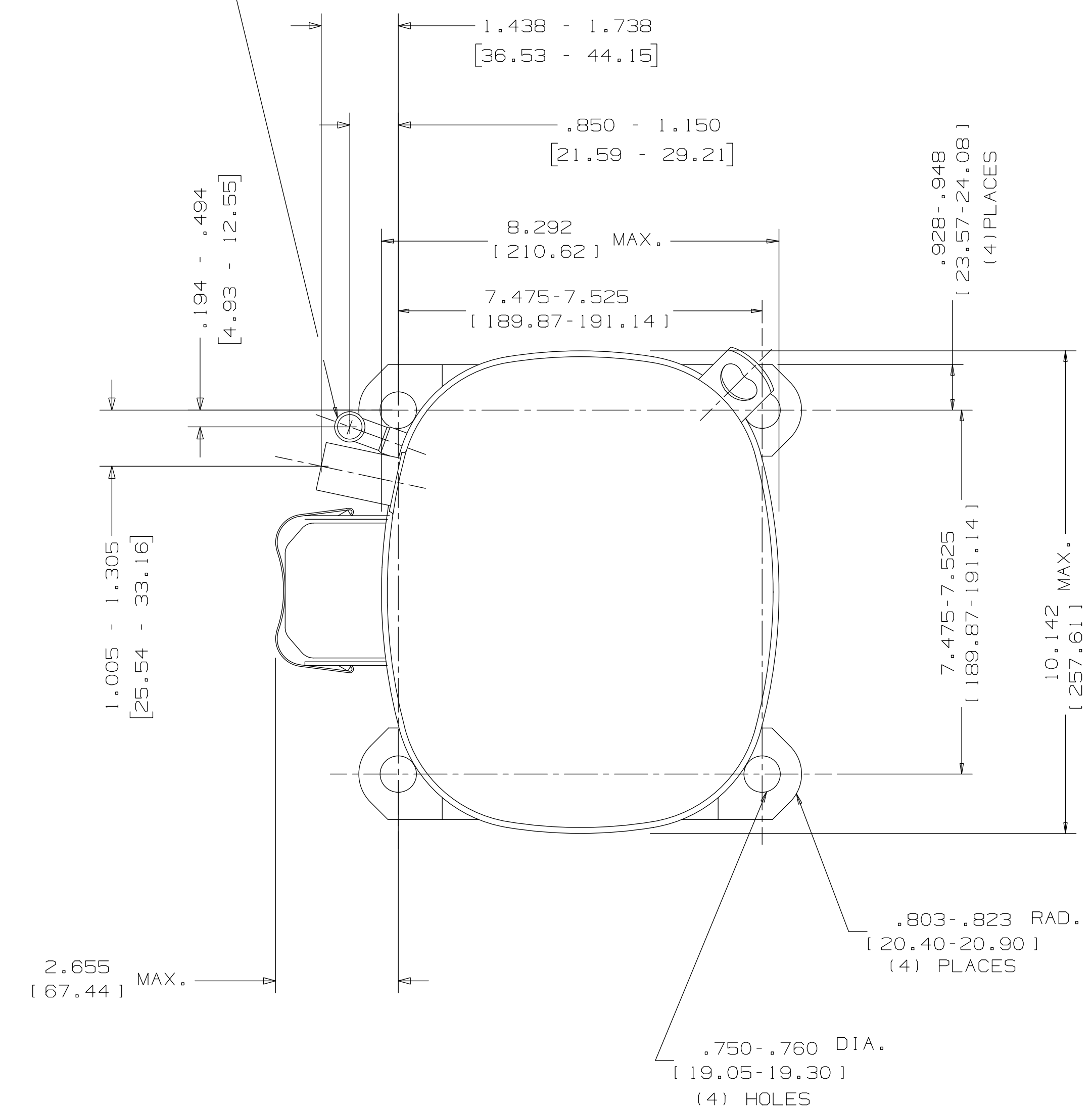
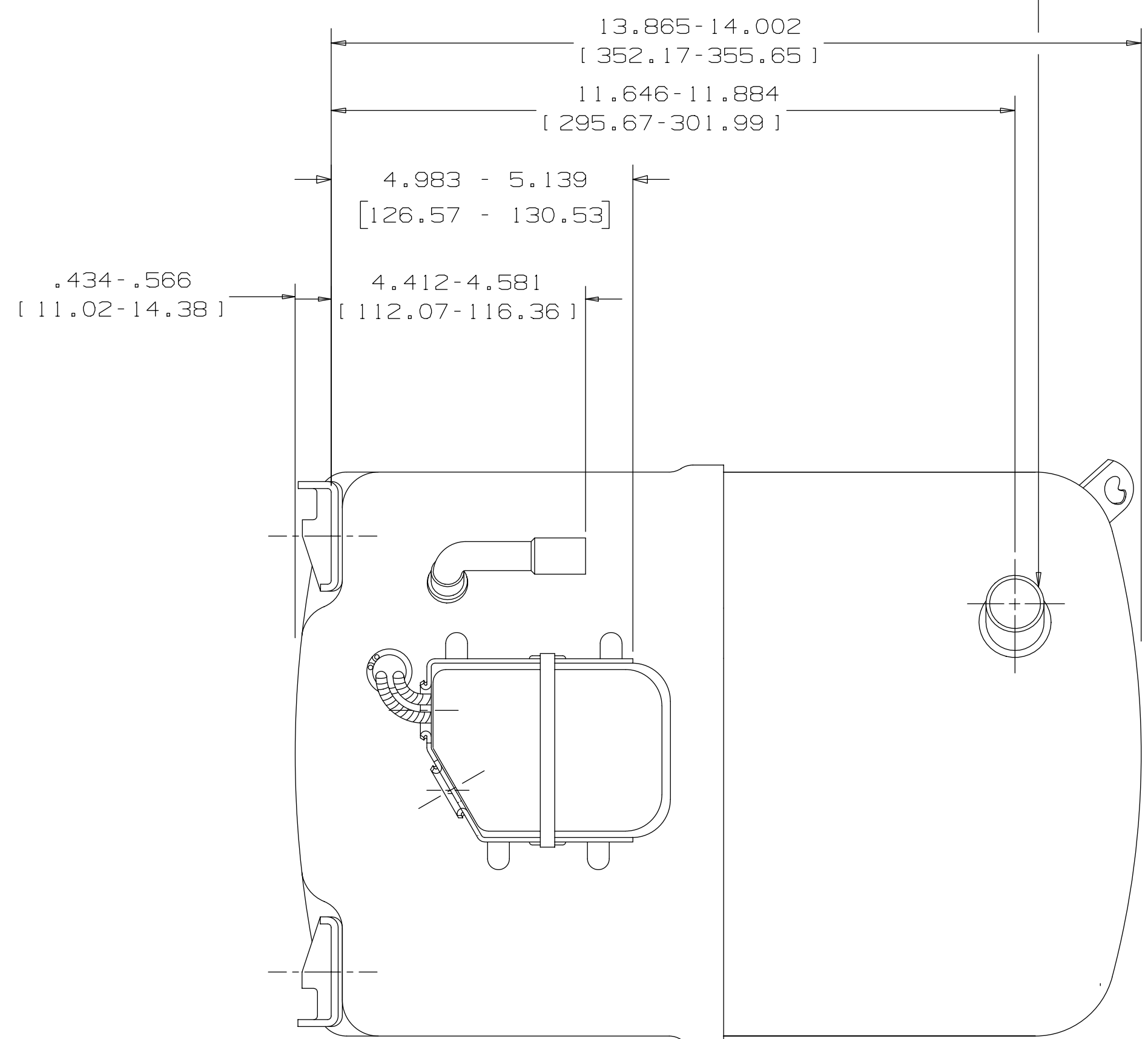


SUCTION - COPPER
I.D. - .878-.883 [22.30-22.43]
× ENTIRE LENGTH
PLUG, -21

DISCHARGE - COPPER
END I.D. - .503-.508 [12.78-12.90]
× .855 MIN. [21.72 MIN.]
PLUG, -11



DIMENSIONS IN BRACKETS ARE MILLIMETERS

3Ø AV

CK. #239337-000 C.N.S. INFO REMOVED 24MAY00 APR.		CK. #239834-000 JJC WAS 26223-1 14NOV89 APR.		CK. #235604-017 JJC WAS HAG77-5 02MRR89 APR.		CK. #235604-006 W.F.M. WAS HAG19-6 9-19-97 APR.		THIS DRAWING OR PRINT SHALL BE THE PROPERTY OF TECUMSEH PRODUCTS CO. AND SHALL REMAIN THE PROPERTY OF TECUMSEH PRODUCTS CO. IF IT IS REPRODUCED OR TRANSMITTED IN ANY FORM OR BY ANY MEANS, ELECTRONIC OR MECHANICAL, INCLUDING PHOTOCOPYING, RECORDING, OR BY ANY INFORMATION STORAGE AND RETRIEVAL SYSTEM, WITHOUT THE EXPRESS AND WRITTEN PERMISSION OF TECUMSEH PRODUCTS CO. ANY UNAUTHORIZED REPRODUCTION OR TRANSMISSION OF THIS DRAWING OR PRINT SHALL BE THE RESPONSIBILITY OF THE USER.		DIS. CODE NAME SALES COMPRESSOR DWN. BRODERICK 4/9/92 CK. W. B.		THIS PRINT SUPERSEDES ALL PRINTS PRIOR TO DRAWING NO. DCAV045	
LT LC CHANGE DATE		MATERIAL NOTED		INTERNAL USE ONLY qt:\av\av-dcav045.p-c.prt		TECUMSEH PRODUCTS CO. TECUMSEH, MICHIGAN		Q.A. SYMBOLS		DCAV045			