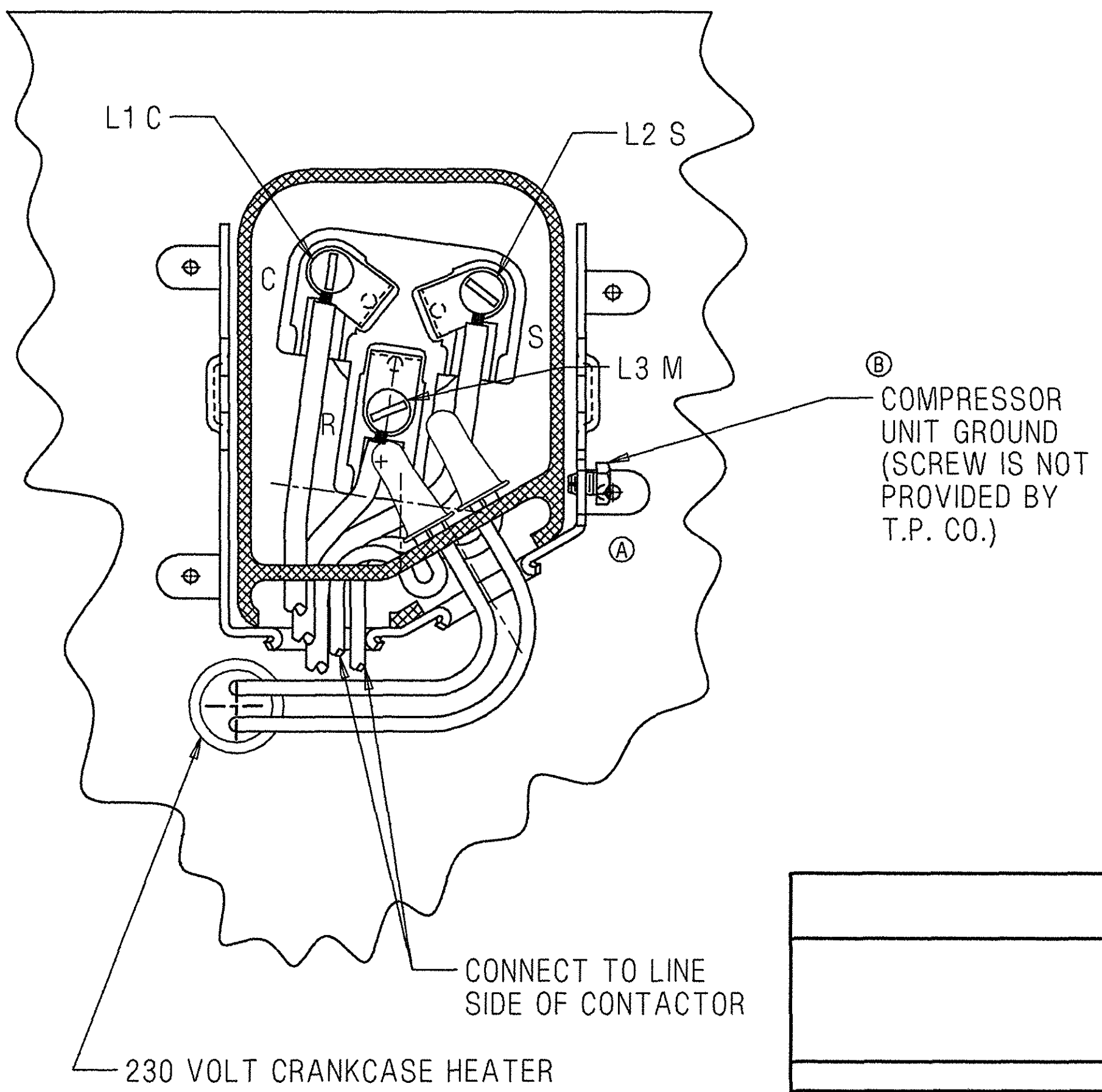
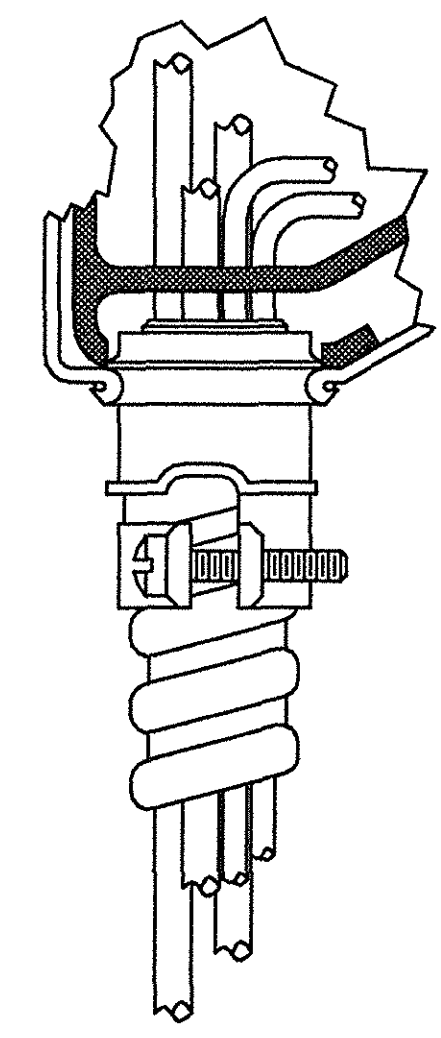


SCHEMATIC WIRING DIAGRAM - 3 PHASE INTERNAL OVERLOAD (LINE BREAK) CRANKCASE HEATER.  
REF. DWG. MD472-43



**WARNING-WIRING DIAGRAM MUST BE FOLLOWED AS SHOWN, ANY MISWIRING CAN CAUSE SERIOUS ELECTRICAL HAZARD AND POTENTIAL DAMAGE OR RUPTURE OF COMPONENT ELECTRICAL PARTS.**

AV-3 PHASE-INTERNAL OVERLOAD (LINE BREAK)-  
CRANKCASE HEATER.

Q.A. SYMBOLS

AV
SCALE 1" = 1"
THIS PRINT SUPERSEDES ALL PRINTS PRIOR TO
PART NO. DEAV-4

B	#223862 ADDED 5C UNIT GROUND 4/9/97	A	#229431 REVISED TERMINAL GUARD 3/18/94	DATE	4/9/97	DATE	3/18/94	DATE	REL #222456	DATE						
TIT. LC CHANGE			PROPERTY OF SHERMAN JAV. USE THE COMPANY, TECUMSEH AND CONTAINS INFORMATION BELONGING TO TECUMSEH. NO INFORMATION OR DATA IS TO BE REPRODUCED OR TRANSMITTED IN ANY FORM OR BY ANY MEANS WITHOUT THE EXPRESS WRITTEN PERMISSION OF SHERMAN JAV. INFORMATION CONTAINED HEREIN IS UNCLASSIFIED EXCEPT WHERE SHOWN OTHERWISE. ALL RIGHTS ARE RESERVED BY SHERMAN JAV. NO PART OF THIS DOCUMENT IS TO BE REPRODUCED OR TRANSMITTED IN ANY FORM OR BY ANY MEANS WITHOUT THE EXPRESS WRITTEN PERMISSION OF SHERMAN JAV. INFORMATION CONTAINED HEREIN IS UNCLASSIFIED EXCEPT WHERE SHOWN OTHERWISE. ALL RIGHTS ARE RESERVED BY SHERMAN JAV. NO PART OF THIS DOCUMENT IS TO BE REPRODUCED OR TRANSMITTED IN ANY FORM OR BY ANY MEANS WITHOUT THE EXPRESS WRITTEN PERMISSION OF SHERMAN JAV.							DIS. CODE		NAME				
			3452		ELECTRICAL HOOK-UP											
					INTERNAL USE ONLY		UGIDISK51(SHERMAN)AV-DEAV041CB-C.PRT									