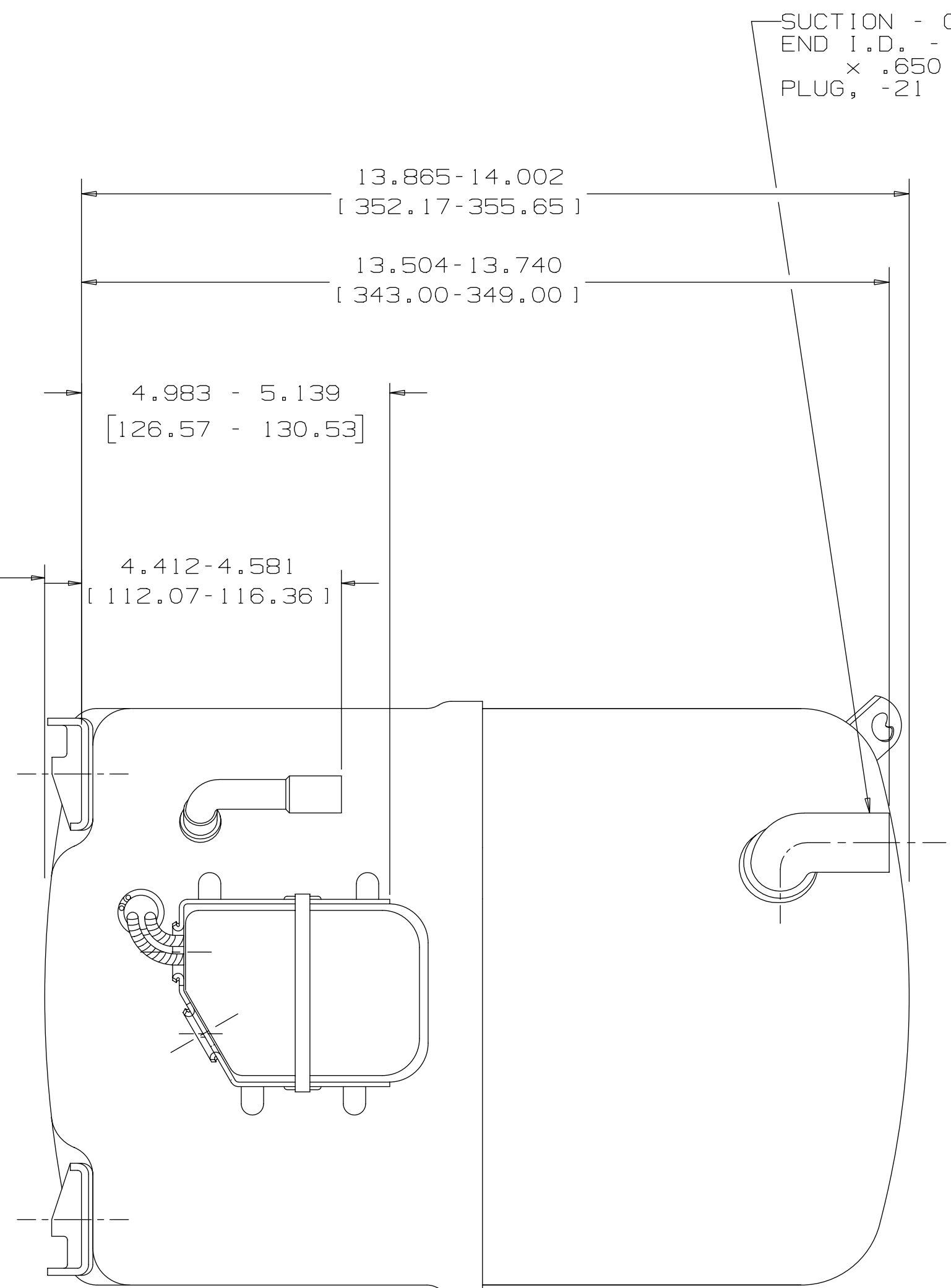
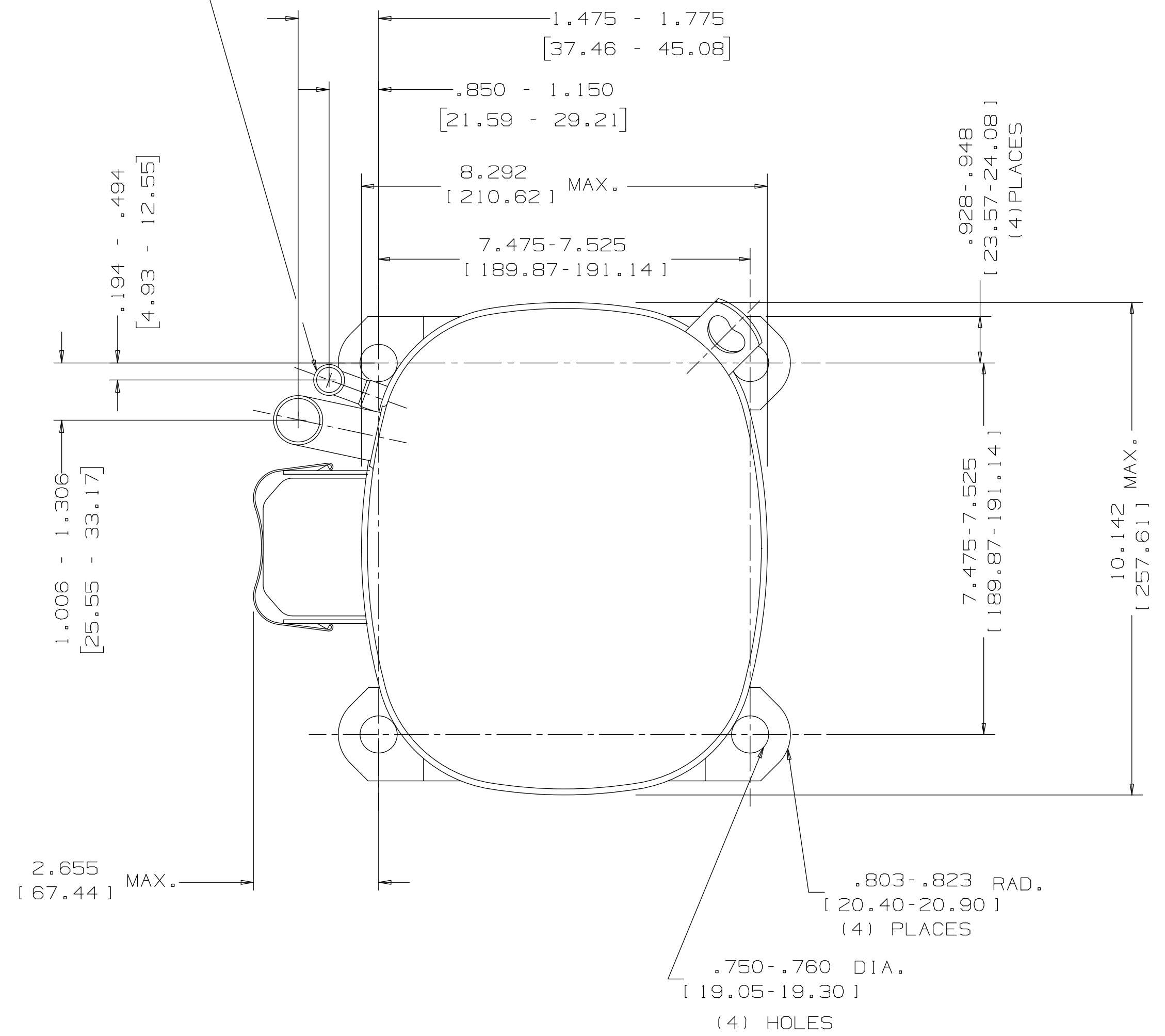


DRAWING NO.
DCAV051



SUCTION - COPPER
END I.D. - .878-.883 [22.30-22.43]
× .650 MIN. [16.51 MIN.]
PLUG, -21

DISCHARGE - COPPER
END I.D. - .503-.508 [12.78-12.90]
× .855 MIN. [21.72 MIN.]
PLUG, -11



DIMENSIONS IN BRACKETS ARE MILLIMETERS

30 AV

Q.A. SYMBOLS

DIS. CODE		NAME		SALES COMPRESSOR	
DWN.		N. CLARK		THIS PRINT SUPERSEDES ALL PRINTS PRIOR TO	
2-6-95		CK		DRAWING NO.	
WB		TECUMSEH PRODUCTS CO.		DCAV051	
		TECUMSEH, MICHIGAN			
MATERIAL		NOTED			
INTERNAL USE ONLY		q1av051-dca051-1-c.prt			
CK.	APR.	#239337-000	C.M.S.	JJC	14NOV99
L	-	INFO REMOVED	24MAY00		
CK.	APR.	#238834-000	JJC	02MAR99	
K	6A	WAS 28223-1	14NOV99		
CK.	APR.	#23604-017	JJC	02MAR99	
J	5A	REMOVED	CHANGES		
LT	LC	CHANGE	DATE		

THIS DRAWING OR PRINT SHALL BE THE PROPERTY OF TECUMSEH PRODUCTS CO. IT IS TO BE USED ONLY FOR THE MANUFACTURE OF THE EQUIPMENT SPECIFICALLY IDENTIFIED THEREON. IT IS TO BE KEPT IN THE ORIGINAL FORM AND NOT REPRODUCED OR TRANSMITTED IN ANY FORM OR BY ANY MEANS, ELECTRONIC OR MECHANICAL, INCLUDING PHOTOCOPYING, RECORDING, OR BY ANY INFORMATION STORAGE AND RETRIEVAL SYSTEM, WITHOUT THE EXPRESS AND WRITTEN PERMISSION OF TECUMSEH PRODUCTS CO. ANY UNAUTHORIZED REPRODUCTION OR TRANSMISSION OF THIS DRAWING OR PRINT SHALL BE SUBJECT TO THE PENALTIES PROVIDED IN THE PATENT AND TRADE SECRET ACTS AND IN THE FEDERAL AND STATE LAWS. THIS DRAWING OR PRINT IS NOT TO BE USED FOR ANY OTHER PURPOSE WITHOUT THE EXPRESS AND WRITTEN PERMISSION OF TECUMSEH PRODUCTS CO. ANY UNAUTHORIZED REPRODUCTION OR TRANSMISSION OF THIS DRAWING OR PRINT SHALL BE SUBJECT TO THE PENALTIES PROVIDED IN THE PATENT AND TRADE SECRET ACTS AND IN THE FEDERAL AND STATE LAWS.