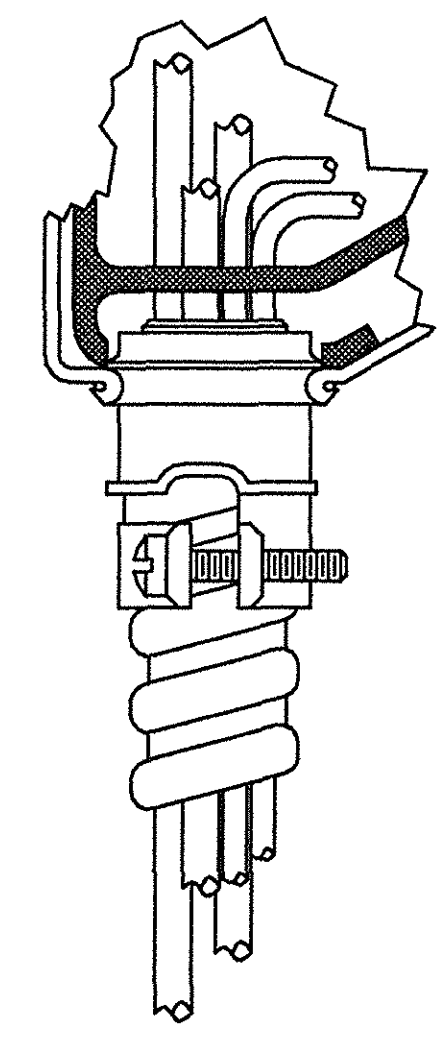
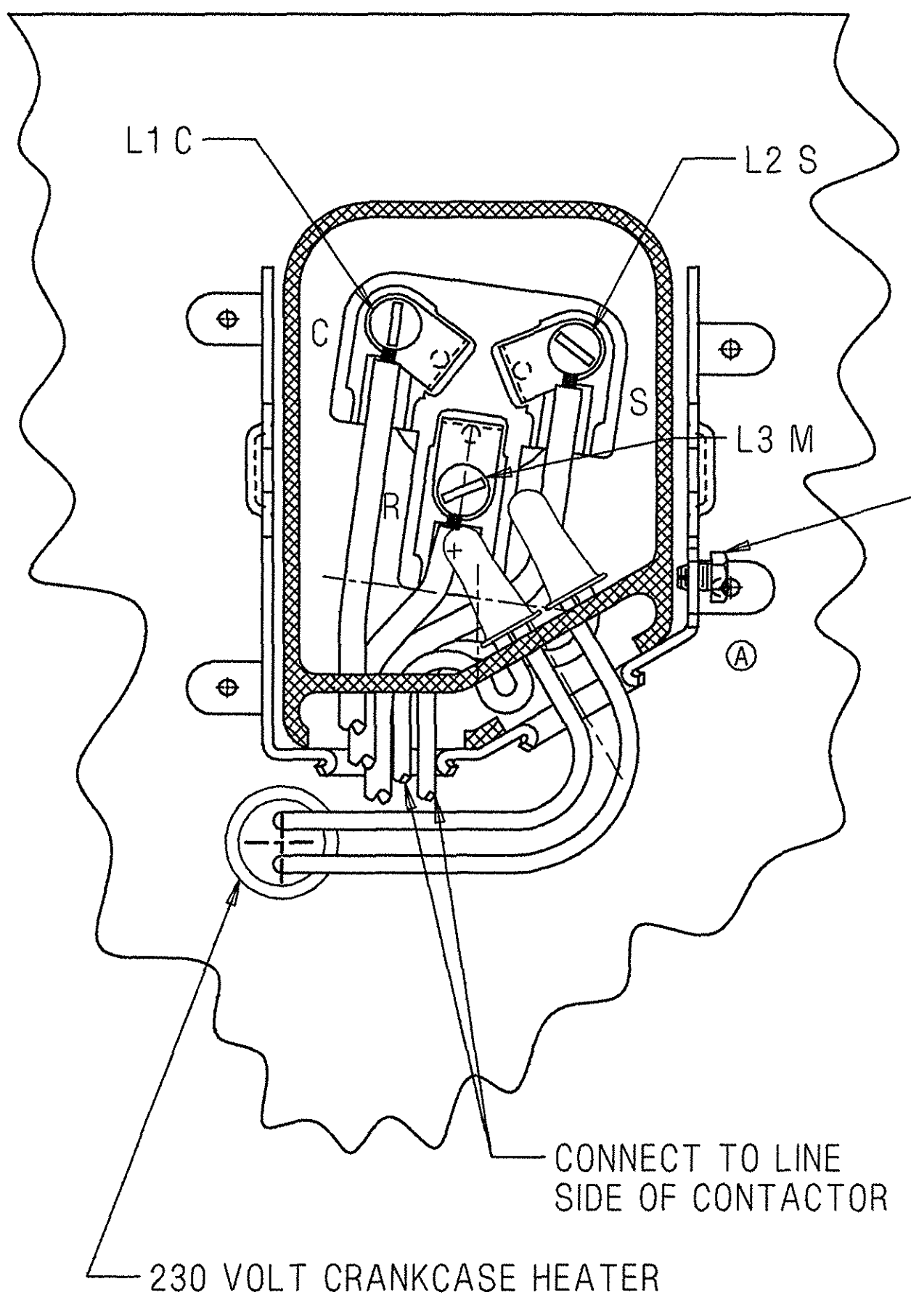


SCHEMATIC WIRING DIAGRAM - 3 PHASE
INTERNAL OVERLOAD (LINE BREAK) CRANKCASE HEATER.
REF. DWG. MD472-43



ALTERNATE IF CONDUIT IS USED.



ⓑ COMPRESSION UNIT GROUND (SCREW IS NOT PROVIDED BY T.P. CO.)

WARNING-WIRING DIAGRAM MUST BE FOLLOWED AS SHOWN, ANY MISWIRING CAN CAUSE SERIOUS ELECTRICAL HAZARD AND POTENTIAL DAMAGE OR RUPTURE OF COMPONENT ELECTRICAL PARTS.

AV-3 PHASE-INTERNAL OVERLOAD (LINE BREAK)-
CRANKCASE HEATER.

Q.A. SYMBOLS

AV

#223682 ADDED SJS 4/9/97		#223431 REVISED T.M.G 3/18/94		DATE	REL #222456	DATE	DIS. CODE	NAME	SCALE	THIS PRINT SUPERSEDES ALL PRINTS PRIOR TO
5C		68		CHARGE		34524		ELECTRICAL HOOK-UP		1" = 1"
TECUMSEH PRODUCTS CO. TECUMSEH, MICHIGAN								PART NO.		DEAV-4
INTERNAL USE ONLY UGIDISK51(SHERMAN)AV-DEAV04CB-C.PRT										