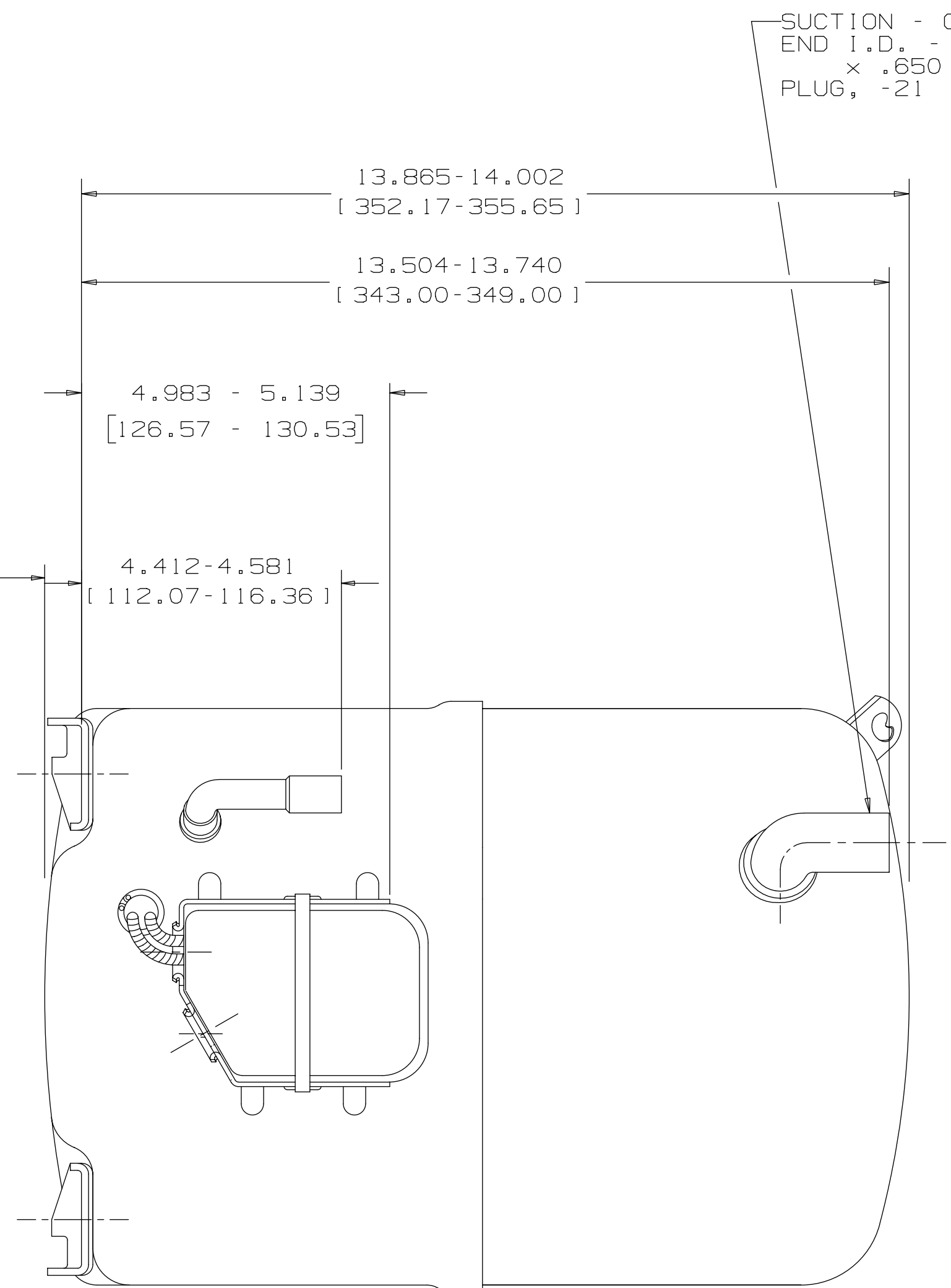
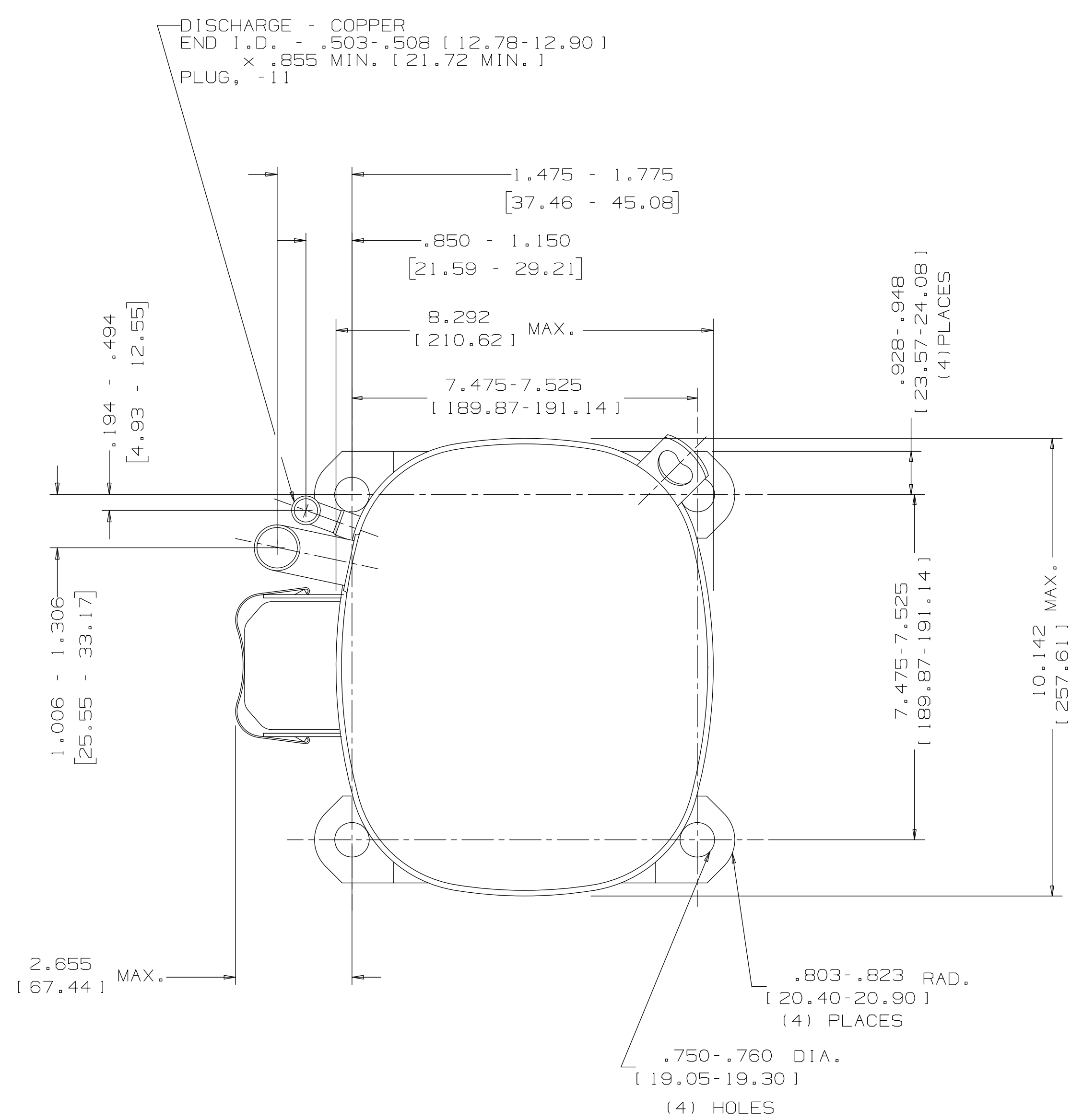


DRAWING NO.
DCAV051



SUCTION - COPPER
END I.D. - .878-.883 [22.30-22.43]
× .650 MIN. [16.51 MIN.]
PLUG, -21



DISCHARGE - COPPER
END I.D. - .503-.508 [12.78-12.90]
× .855 MIN. [21.72 MIN.]
PLUG, -11

DIMENSIONS IN BRACKETS ARE MILLIMETERS

30 AV

APR. #239337-000 C.M.S. EXTRANEOUS INFO REMOVED 24MAY00		JJC 14NOV99	JJC 02MAR99	DIS. CODE		NAME SALES COMPRESSOR		THIS PRINT SUPERSEDES ALL PRINTS PRIOR TO	
CK. L -	APR. #238834-000 K 6A WAS 28223-1	JJC 14NOV99	JJC 02MAR99	DW. N. CLARK 2-6-95		TECUMSEH PRODUCTS CO. TECUMSEH, MICHIGAN		DRAWING NO. DCAV051	
CK. J 5A	APR. #235604-017 REMOVED CHANGES	JJC 14NOV99	JJC 02MAR99	MATERIAL NOTED		INTERNAL USE ONLY q1av051-dca051-1-c.prt			
LT	LC	CH	AN	GE	RE	BY	AP	CH	BY
<p>THIS DRAWING OR PRINT SHALL BE THE PROPERTY OF TECUMSEH PRODUCTS CO. AND SHALL REMAIN THE PROPERTY OF TECUMSEH PRODUCTS CO. IF IT IS REPRODUCED OR TRANSMITTED IN ANY FORM OR BY ANY MEANS, ELECTRONIC OR MECHANICAL, INCLUDING PHOTOCOPYING, RECORDING, OR BY ANY INFORMATION STORAGE AND RETRIEVAL SYSTEM, WITHOUT THE EXPRESS AND WRITTEN PERMISSION OF TECUMSEH PRODUCTS CO. ANY UNAUTHORIZED REPRODUCTION OR TRANSMISSION OF THIS DRAWING OR PRINT SHALL BE CONSIDERED A VIOLATION OF THE PATENT RIGHTS OF TECUMSEH PRODUCTS CO. AND SHALL BE SUBJECT TO THE PENALTIES PROVIDED IN THE PATENT LAWS OF THE UNITED STATES OF AMERICA.</p>									

Q.A. SYMBOLS