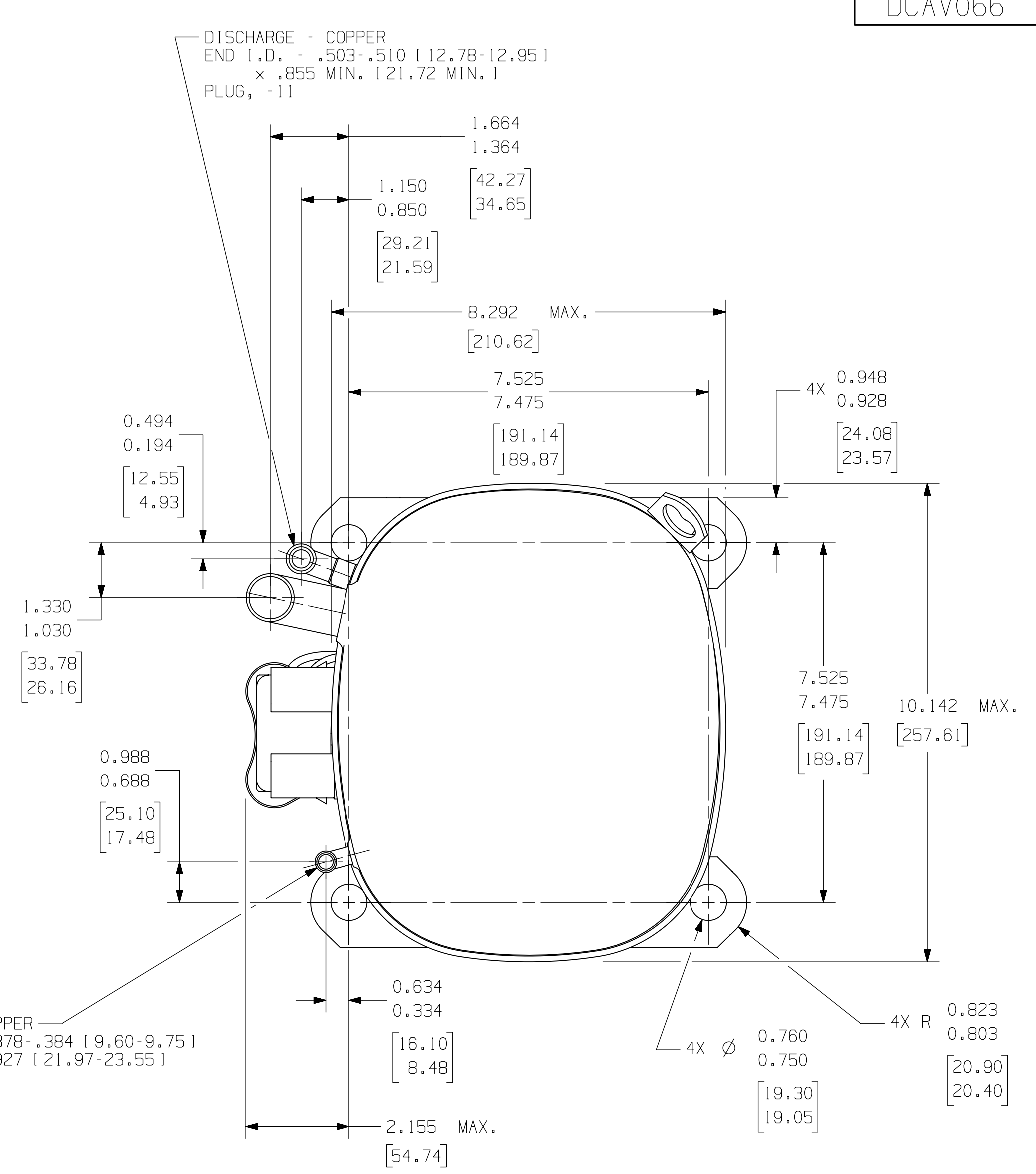


SUCTION - COPPER  
 END I.D. - .753-.760 [19.13-19.30]  
 x .687 MIN. [17.45 MIN.]  
 PLUG, -9



DISCHARGE - COPPER  
 END I.D. - .503-.510 [12.78-12.95]  
 x .855 MIN. [21.72 MIN.]  
 PLUG, -11

PROCESS - COPPER  
 END I.D. - .378-.384 [9.60-9.75]  
 x .865-.927 [21.97-23.55]  
 PLUG, -4

DIMENSIONS IN BRACKETS ARE MILLIMETERS

3D, VNX6

ENGLISH

Q.A. SYMBOLS

- ★ = CATEGORY I
- ▲ = CATEGORY II
- = CATEGORY III
- = CATEGORY IV

AV

BANNER User: ashok.amuda Part/Rev. av--dcav066\_f--c.prt Date: 15-Jun-11 Time: 15:03

EC24904 REDRAWN IN 3D NO. CHANGE 04NOV10		ASHOK 04NOV10		#239337-000 EXTRANEOUS INFO REMOVED 25MAY10		C.M.S. 25MAY10		#239834-000 JJC WAS 26223-1 14NOV99		#235604-017 JJC WAS H6677-1 03MAR99		235604-6 W.F.M. WAS H6618-1 9/3/97		#235818-001 DATE		DIS.CODE . . .		NAME SALES COMPRESSOR	
THIS DRAWING OR PRINT (1) IS THE PROPERTY OF TECUMSEH PRODUCTS COMPANY. IT IS TO BE USED ONLY FOR THE MANUFACTURE OF THE EQUIPMENT SPECIFICALLY IDENTIFIED HEREON. IT IS NOT TO BE REPRODUCED, COPIED, OR TRANSMITTED IN ANY FORM OR BY ANY MEANS, ELECTRONIC OR MECHANICAL, INCLUDING PHOTOCOPYING, RECORDING, OR BY ANY INFORMATION STORAGE AND RETRIEVAL SYSTEM, WITHOUT THE EXPRESS AND WRITTEN PERMISSION OF TECUMSEH PRODUCTS COMPANY. ANY UNAUTHORIZED USE OF THIS DRAWING OR PRINT IS STRICTLY PROHIBITED. THE RECIPIENT SHALL BE RESPONSIBLE FOR THE PROTECTION OF THIS DRAWING OR PRINT AND SHALL PROMPTLY RETURN IT TO TECUMSEH PRODUCTS COMPANY UPON REQUEST. THIS DRAWING OR PRINT IS THE PROPERTY OF TECUMSEH PRODUCTS COMPANY. IT IS TO BE USED ONLY FOR THE MANUFACTURE OF THE EQUIPMENT SPECIFICALLY IDENTIFIED HEREON. IT IS NOT TO BE REPRODUCED, COPIED, OR TRANSMITTED IN ANY FORM OR BY ANY MEANS, ELECTRONIC OR MECHANICAL, INCLUDING PHOTOCOPYING, RECORDING, OR BY ANY INFORMATION STORAGE AND RETRIEVAL SYSTEM, WITHOUT THE EXPRESS AND WRITTEN PERMISSION OF TECUMSEH PRODUCTS COMPANY. ANY UNAUTHORIZED USE OF THIS DRAWING OR PRINT IS STRICTLY PROHIBITED. THE RECIPIENT SHALL BE RESPONSIBLE FOR THE PROTECTION OF THIS DRAWING OR PRINT AND SHALL PROMPTLY RETURN IT TO TECUMSEH PRODUCTS COMPANY UPON REQUEST.														SCALE 1:1 & NOTED		THIS PRINT SUPERSEDES ALL PRINTS PRIOR TO			
TECUMSEH PRODUCTS CO. TECUMSEH, MICHIGAN														DRAWING NO. DCAV066					
MATERIAL NOTED																			