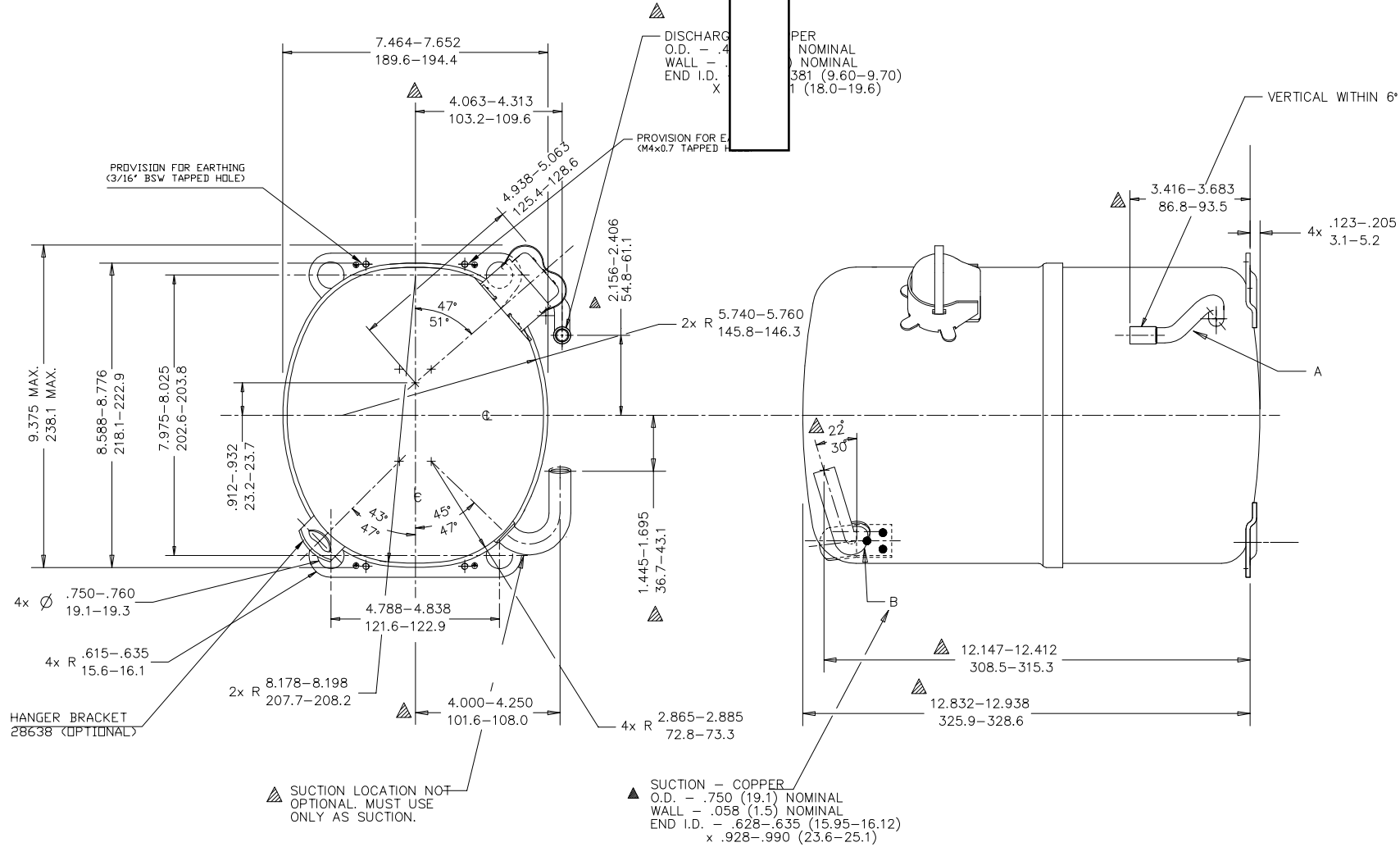


PART NO.  
AWX-4407-00



PER  
NOMINAL  
NOMINAL  
381 (9.60-9.70)  
1 (18.0-19.6)

VERTICAL WITHIN 6"

▲ SUCTION LOCATION NOT OPTIONAL. MUST USE ONLY AS SUCTION.

▲ SUCTION - COPPER  
O.D. - .750 (19.1) NOMINAL  
WALL - .058 (1.5) NOMINAL  
END I.D. - .628-.635 (15.95-16.12)  
x .928-.990 (23.6-25.1)

NOTE :

DIMENSIONING = INCHES OR INCHES (MILLIMETERS)  
MILLIMETERS

Q.A. SYMBOLS

- ★ = CATEGORY I
- ▲ = CATEGORY II
- = CATEGORY III
- = CATEGORY IV

AW

A		34711									SALES COMPRESSOR				
	B	EX-34649									DWN.	CK.	APR.	SCALE	THIS PRINT SUPERSEDES ALL PRINTS PRIOR TO
											M. SRINIVAS	ON FILE	ON FILE	1"=2"	
											TECUMSEH PRODUCTS INDIA PVT. LTD. HYDERABAD, INDIA			PART NO.	
											MATERIAL			AWX-4407-00	
											NOTED				
											INTERNAL USE ONLY				