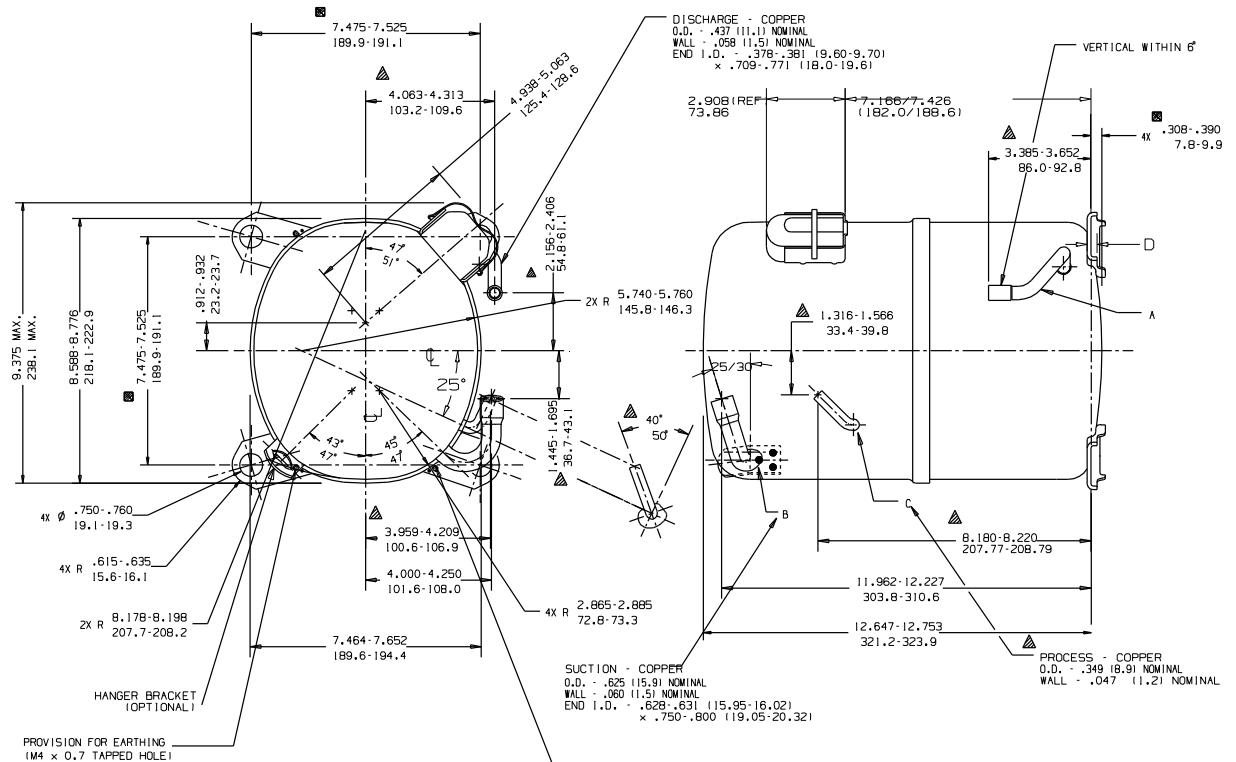


PART NO.
AWX-4171-00



Q.A. SYMBOLS
 ▲ CATEGORY I
 ■ CATEGORY II
 ▲ CATEGORY III
 ■ CATEGORY IV
 AW

REV.	DATE	DESCRIPTION	BY	CHKD.	APP'D.	SCALE	THIS PRINT SUPERSEDES ALL PRINTS PRIOR TO
A	34867					1"=2"	
B							
C							
D							

REV.	DATE	DESCRIPTION	BY	CHKD.	APP'D.	SCALE	THIS PRINT SUPERSEDES ALL PRINTS PRIOR TO
1							
2							
3							
4							
5							
6							
7							
8							
9							
10							
11							
12							
13							
14							
15							
16							
17							
18							
19							
20							
21							
22							
23							
24							
25							
26							
27							
28							
29							
30							
31							
32							
33							
34							
35							
36							
37							
38							
39							
40							
41							
42							
43							
44							
45							
46							
47							
48							
49							
50							
51							
52							
53							
54							
55							
56							
57							
58							
59							
60							
61							
62							
63							
64							
65							
66							
67							
68							
69							
70							
71							
72							
73							
74							
75							
76							
77							
78							
79							
80							
81							
82							
83							
84							
85							
86							
87							
88							
89							
90							
91							
92							
93							
94							
95							
96							
97							
98							
99							
100							

SALES COMPRESSOR
 M. SRINIVAS
 CHAMARAJU
 ON FILE ON FILE
 TECUMSEH PRODUCTS INDIA PVT. LTD.
 HYDRABAD, INDIA
 MATERIAL NOTED
 INTERNAL USE ONLY
 PART NO. AWX-4171-00