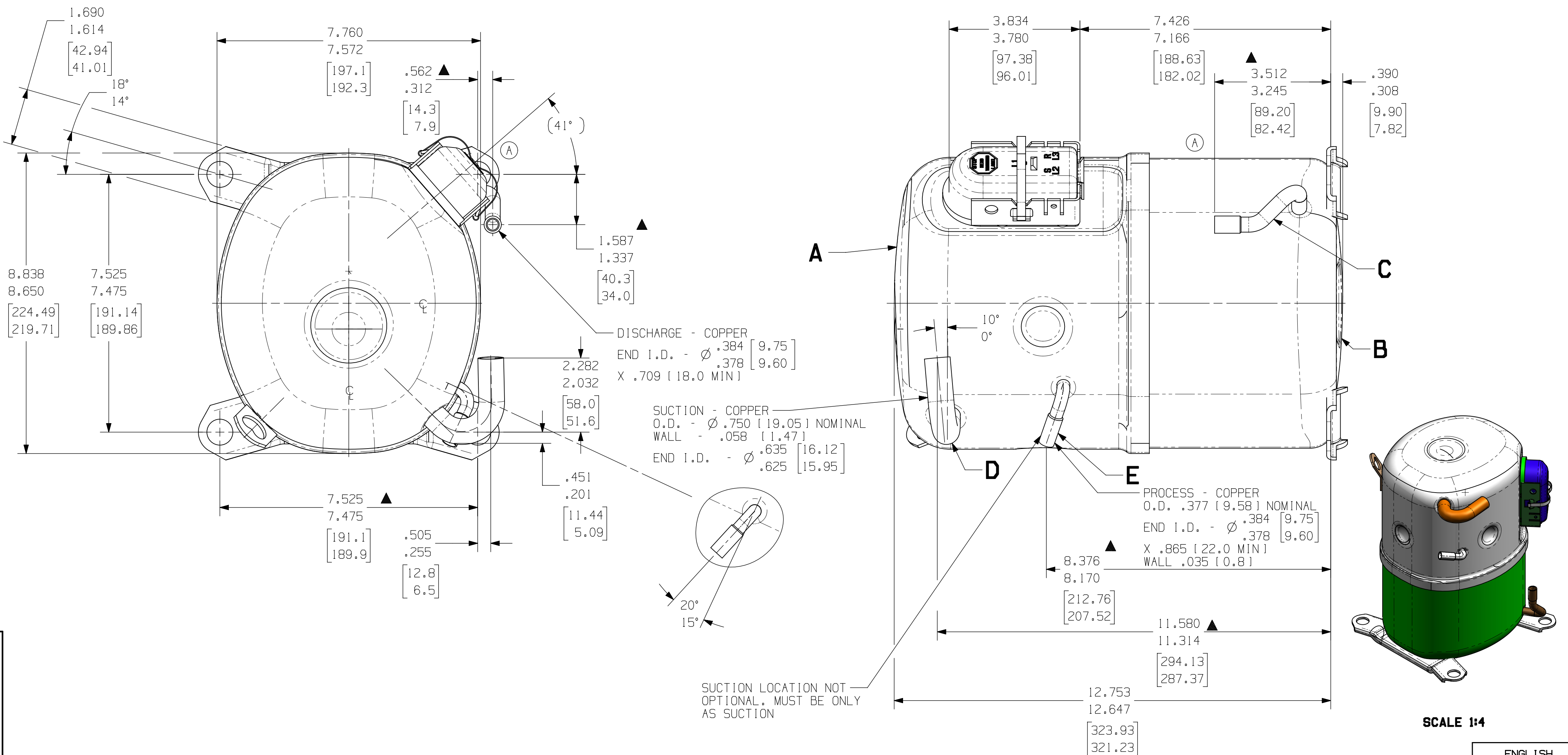


A	HA642-13
B	HA674-03A
C	34711
D	34649
E	34467

DWG NO.
DCAW120



NOTES:
 1. IF SPECIFIED ON BILL OF MATERIAL, ASSEMBLE THESE PARTS AS SHOWN.
 2. SEE SPEC. "A-B" AND "A-C" FOR PROCESSING.
 3. MUST COMPLY WITH T.P.CO. GLOBAL SPEC. 08.

DIMENSIONING = INCHES
(MILLIMETERS)

SCALE 1:4

ENGLISH

Q.A. SYMBOLS

- ★ = CATEGORY I
- ▲ = CATEGORY II
- = CATEGORY III
- = CATEGORY IV

EC69282 ATC REMODELED IN 3D TO MATCH DRAWING	BD 13MAR19	T.M.G 13MAR99	HINMAN 08/05/97	REL #233955-151	LT LC CHANGE DATE	THIS DRAWING OR PRINT (1:1) IS THE PROPERTY OF TECUMSEH PRODUCTS COMPANY. IT IS NOT TO BE REPRODUCED, COPIED, OR TRANSMITTED IN ANY FORM OR BY ANY MEANS, WITHOUT THE WRITTEN CONSENT OF TECUMSEH PRODUCTS COMPANY. ANY UNAUTHORIZED USE OF THIS DRAWING OR PRINT IS PROHIBITED. ANY SUCH VIOLATION SHALL BE SUBJECT TO LEGAL ACTION. THIS DRAWING IS THE PROPERTY OF TECUMSEH PRODUCTS COMPANY AND IS NOT TO BE REPRODUCED, COPIED, OR TRANSMITTED IN ANY FORM OR BY ANY MEANS, WITHOUT THE WRITTEN CONSENT OF TECUMSEH PRODUCTS COMPANY. ANY UNAUTHORIZED USE OF THIS DRAWING OR PRINT IS PROHIBITED. ANY SUCH VIOLATION SHALL BE SUBJECT TO LEGAL ACTION.	DWG NO. DCAW120
SALES COMPRESSOR						SCALE 1:2 & NOTED	THIS PRINT SUPERSEDES ALL PRINTS PRIOR TO
TECUMSEH PRODUCTS CO. ANN ARBOR, MICHIGAN						MATERIAL NOTED	DWG NO. DCAW120