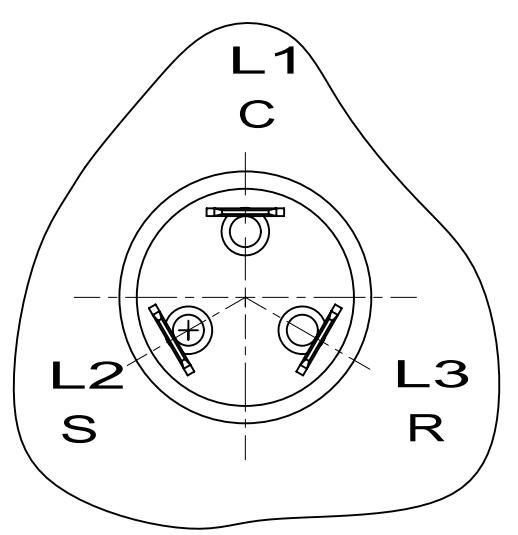


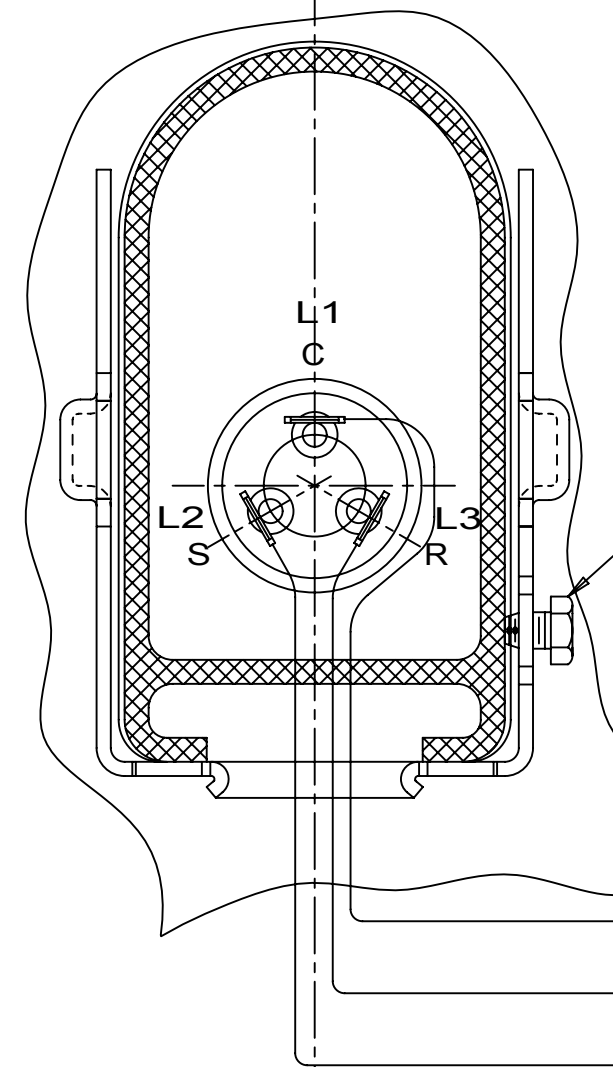
CRANKCASE HEATER LEADS. THE PATH OF THESE LEADS (FROM CRANKCASE HEATER TO PROTECTIVE COVER) TO BE IN A CLOCKWISE DIRECTION TO AVOID CONTACT WITH DISCHARGE TUBE.

COMPRESSOR UNIT GROUND (SCREW IS NOT PROVIDED BY T.P. CO.)

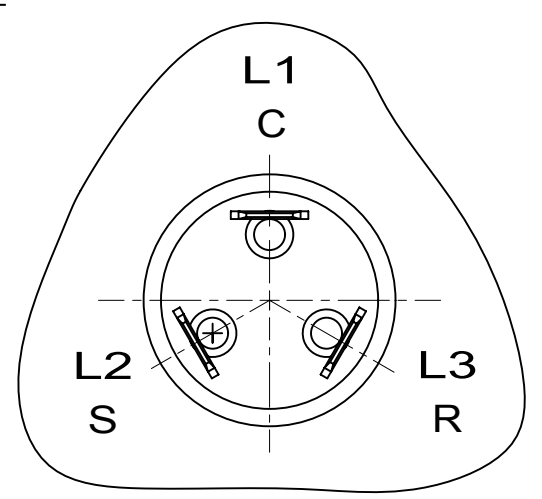


TERMINAL MAY BE THIS SIZE

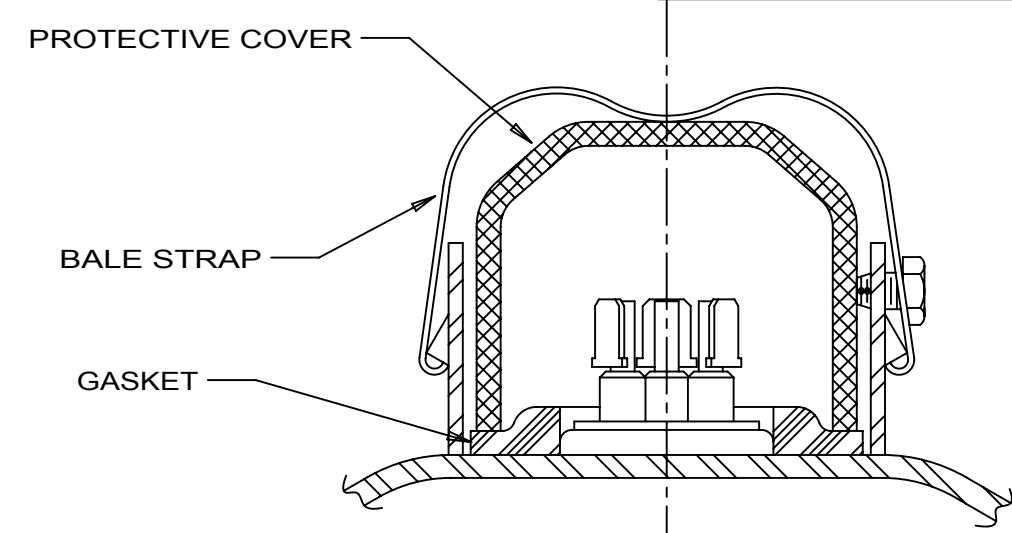
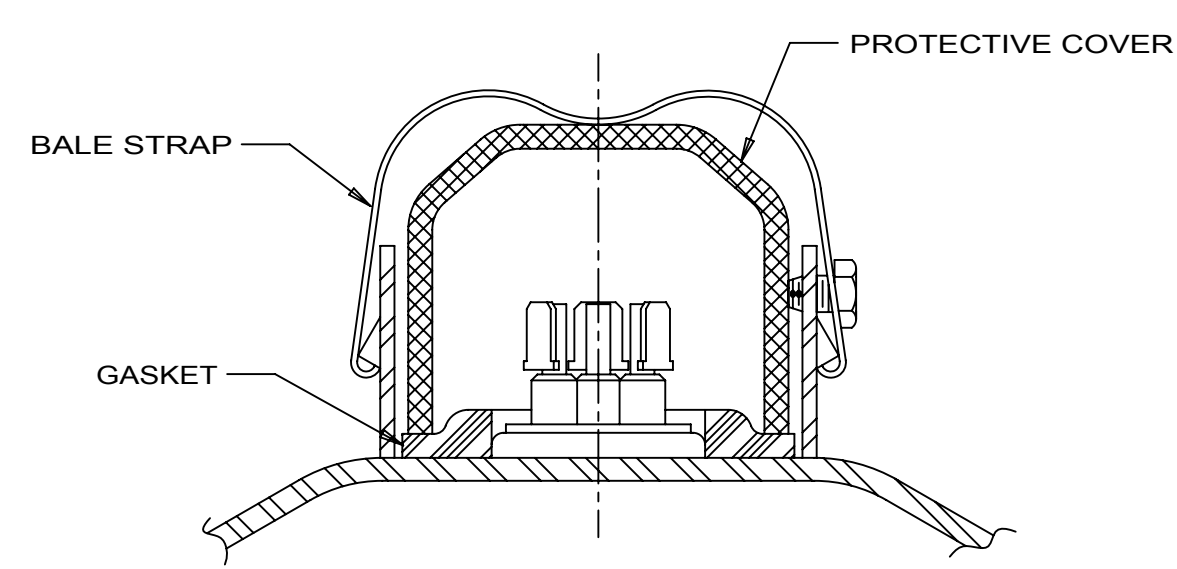
CONNECT TO LINE SIDE OF CONTACTOR.



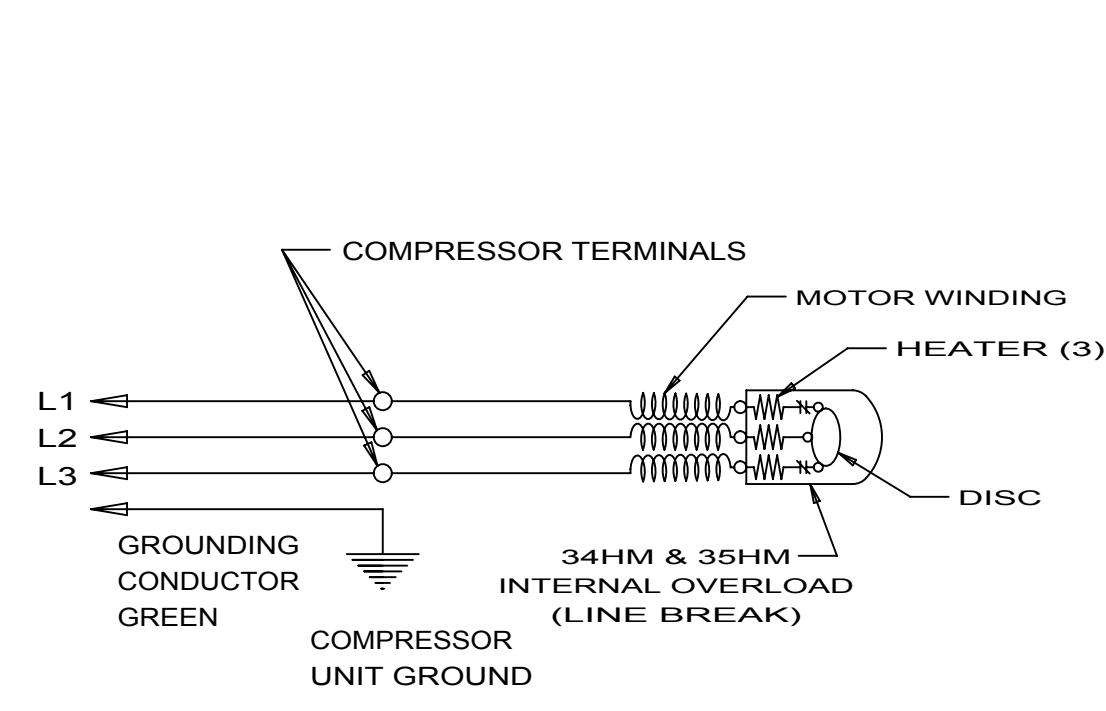
COMPRESSOR UNIT GROUND (SCREW IS NOT PROVIDED BY T.P. CO.)



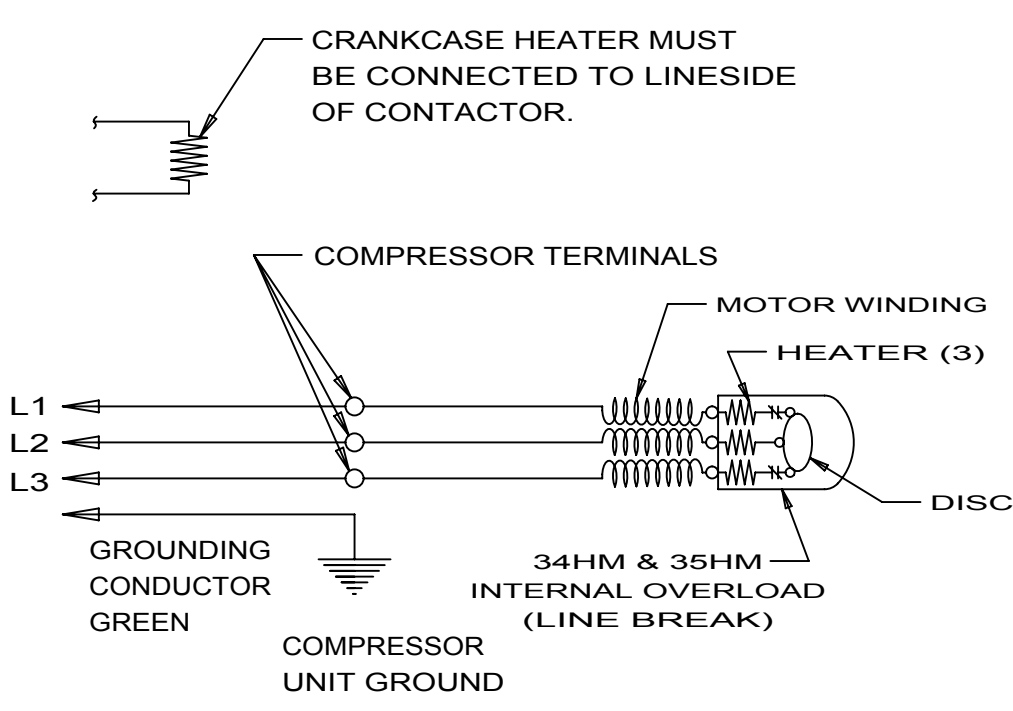
TERMINAL MAY BE THIS SIZE



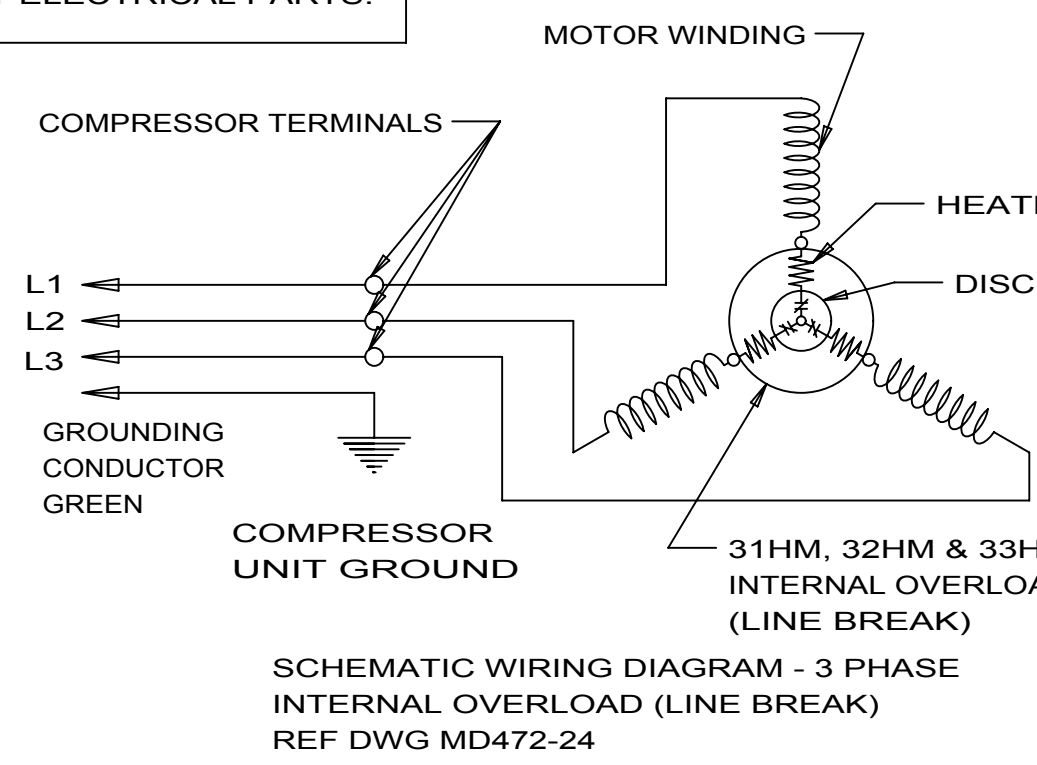
WARNING - WIRING DIAGRAM MUST BE FOLLOWED AS SHOWN. ANY MISWIRING CAN CAUSE SERIOUS ELECTRICAL HAZARD AND POTENTIAL DAMAGE OR RUPTURE OF COMPONENT ELECTRICAL PARTS.



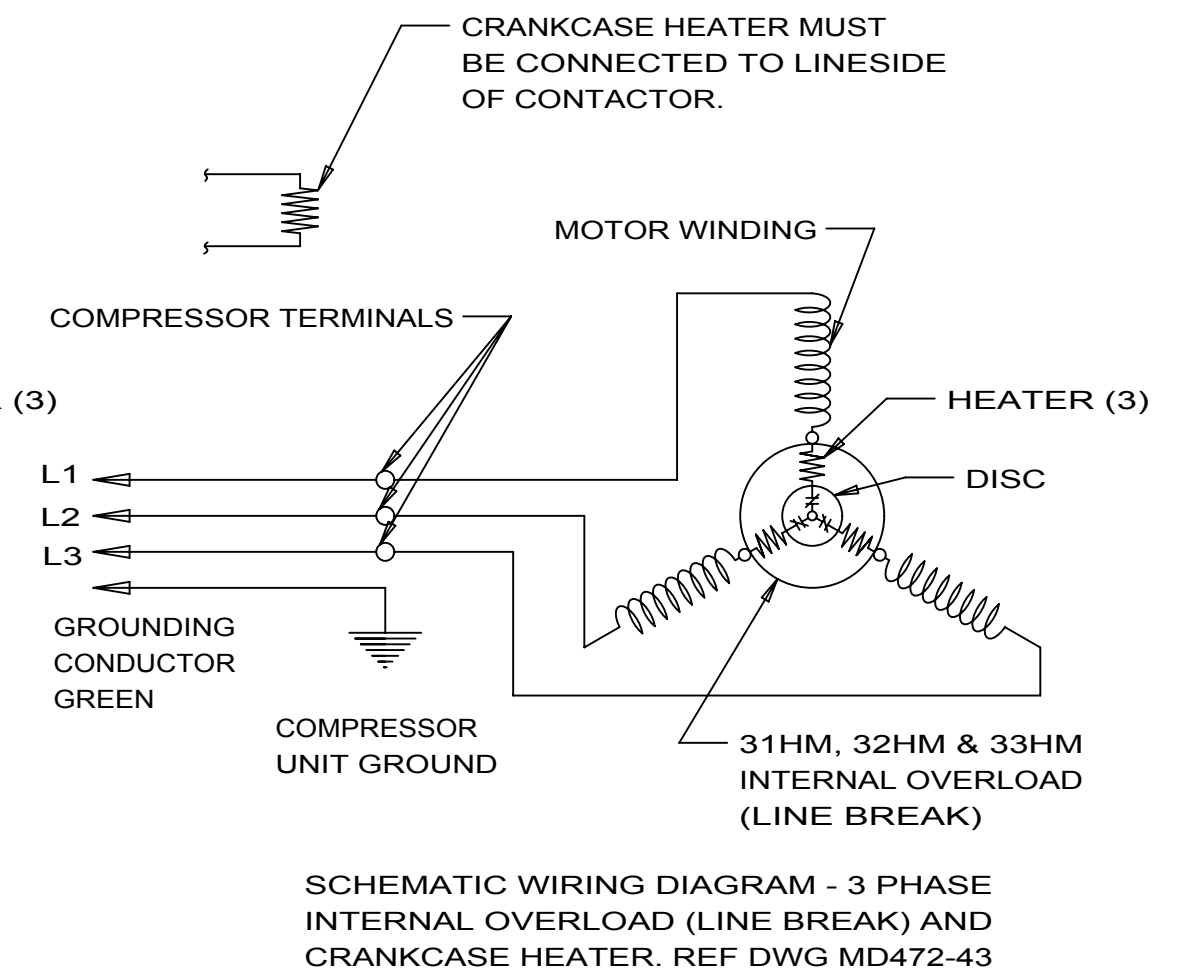
SCHMATIC WIRING DIAGRAM - 3 PHASE INTERNAL OVERLOAD (LINE BREAK) REF DWG MD472-24



SCHMATIC WIRING DIAGRAM - 3 PHASE INTERNAL OVERLOAD AND (LINE BREAK) REF DWG MD472-43



SCHMATIC WIRING DIAGRAM - 3 PHASE INTERNAL OVERLOAD (LINE BREAK) REF DWG MD472-24



SCHMATIC WIRING DIAGRAM - 3 PHASE INTERNAL OVERLOAD (LINE BREAK) AND CRANKCASE HEATER. REF DWG MD472-43

AW - 3 PHASE - INTERNAL OVERLOAD (LINE BREAK) - CRANKCASE HATER.
AW - 3 PHASE - INTERNAL OVERLOAD (LINE BREAK).

Q.A. SYMBOLS

8	7	6	5	4	3	2	1	
<p>THIS DRAWING OR PRINT IS THE PROPERTY OF TECUMSEH PRODUCTS COMPANY AND IS NOT TO BE REPRODUCED, COPIED, OR TRANSMITTED IN ANY MANNER WITHOUT THE WRITTEN CONSENT AND (V) APPROVAL OF TECUMSEH PRODUCTS COMPANY. THE INFORMATION CONTAINED HEREIN IS UNCLASSIFIED AND IS AVAILABLE TO OTHERS WITHOUT THE EXPRESS AND WRITTEN CONSENT AND (V) APPROVAL OF TECUMSEH PRODUCTS COMPANY. THIS INFORMATION IS NOT TO BE RELEASED OR DISCLOSED IN ANY MANNER OR TO ANY EXTENT WITHOUT THE WRITTEN CONSENT AND (V) APPROVAL OF TECUMSEH PRODUCTS COMPANY. THEREOF TO TECUMSEH AT THE DISCRETION OF TECUMSEH PRODUCTS COMPANY.</p>							<p>DIS.CODE NAME</p> <p>R.M.D. 6-27-94</p> <p>TECUMSEH PRODUCTS CO. TECUMSEH, MICHIGAN</p>	
<p>EC26258 CHANGED L2 & L3</p> <p>#242665-000 REVISED WIRING DIAGRAM UPDATED TO NX</p> <p>6D 8B</p> <p>2F 5F</p> <p>#235647 ADDED NOTE</p> <p>#227799 REDRAWN NO CHANGE</p>							<p>SCALE 1"=1"</p> <p>PART NO. DEAW-2</p>	