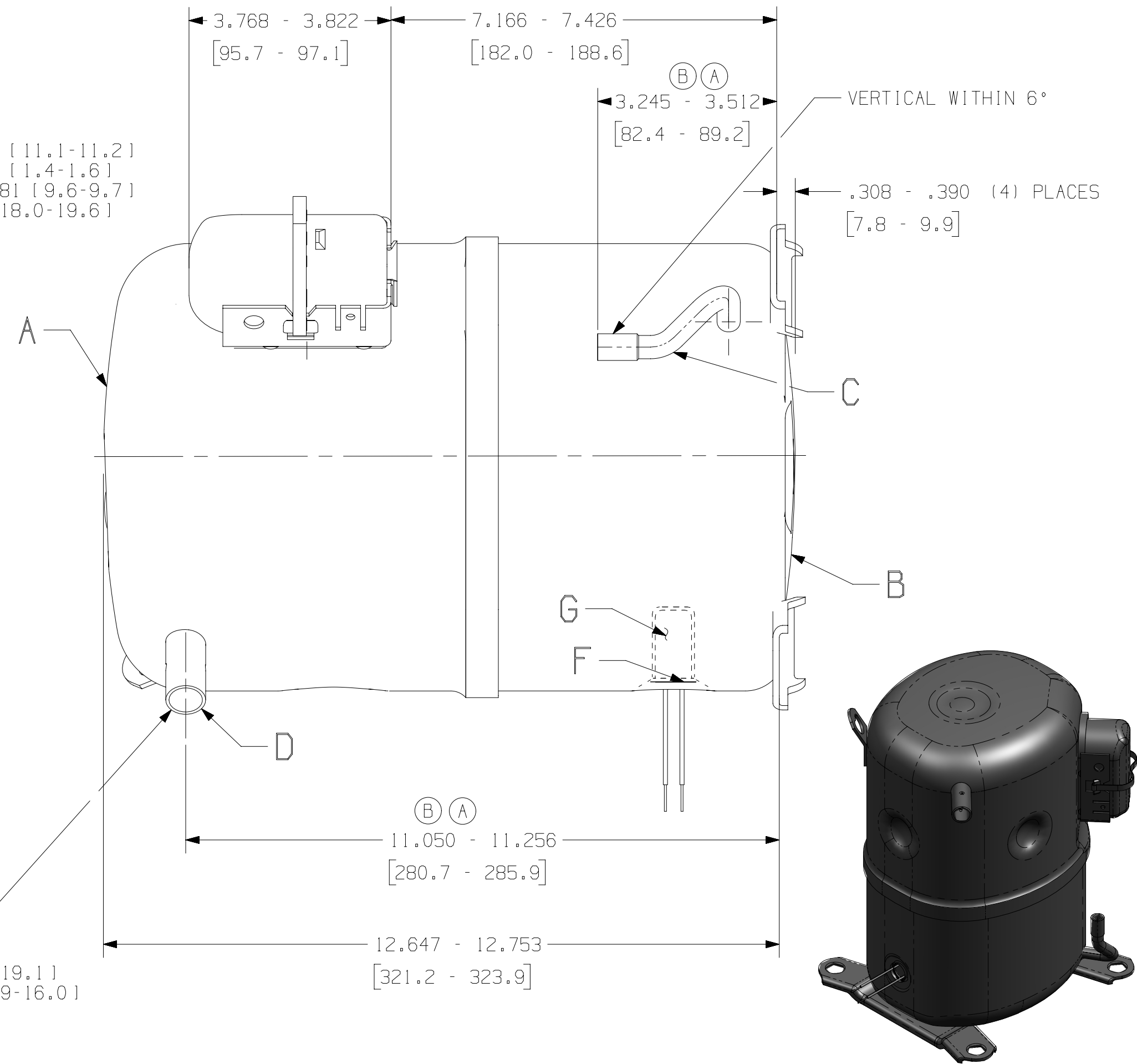


DISCHARGE - COPPER
 O.D. - .4355-.4395 [11.1-11.2]
 WALL - .0545-.0615 [1.4-1.6]
 END I.D. - .378-.381 [9.6-9.7]
 X .709-.771 [18.0-19.6]
 PLUG, -4

SUCTION - COPPER
 O.D. -.7475-.7525 [19.0-19.1]
 END I.D. -.628-.631 [15.9-16.0]
 PLUG, -7



SCALE 1:4

NOTES:

- 1. IF SPECIFIED ON BILL OF MATERIAL ASSEMBLE THESE PARTS AS SHOWN.
- 2. MUST COMPLY WITH T.P.Co. GLOBAL SPEC. 08.

MANUFACTURING NOTES:
 1. SEE DWG. #AHT30 FOR ASSY. OF DISCHARGE CONNECTOR & LOWER SHOCK LOOP IN LOWER HOUSING.
 2. SEE SPEC. "A-B" & "A-C" FOR PROCESSING.

(B)	A	HA642-12/ HA-10508
	B	HA674-4/ HA-10498
	C	34711
	D	34897
	F	28080-3
	G	90706

DIMENSIONING = INCHES OR INCHES (MILLIMETERS)
 MILLIMETERS

ENGLISH

Q. A. SYMBOLS

- ★ = CATEGORY I
- ▲ = CATEGORY II
- = CATEGORY III
- = CATEGORY IV

AW

B 6B	ECL00090 TABLE UPDATED	RP	06MAR21	A	REL	#236104-002	L T LC	CHANGE	DATE	THIS DRAWING OR PRINT IS THE PROPERTY OF TECUMSEH PRODUCTS COMPANY. IT IS NOT TO BE REPRODUCED OR TRANSMITTED IN ANY FORM OR BY ANY MEANS, ELECTRONIC OR MECHANICAL, WITHOUT THE WRITTEN CONSENT OF TECUMSEH PRODUCTS COMPANY. ANY UNAUTHORIZED REPRODUCTION OR TRANSMISSION OF THIS DRAWING OR PRINT IS STRICTLY PROHIBITED AND WILL BE PROSECUTED TO THE FULL EXTENT OF THE LAW.	DIS. CODE	34D	NAME	SALES COMPRESSOR	
		TS	12NOV09											SCALE	1:2 & NOTED
													TECUMSEH PRODUCTS CO. ANN ARBOR, MICHIGAN		DRAWING NO.
													MATERIAL		DCAW122
													NOTED		