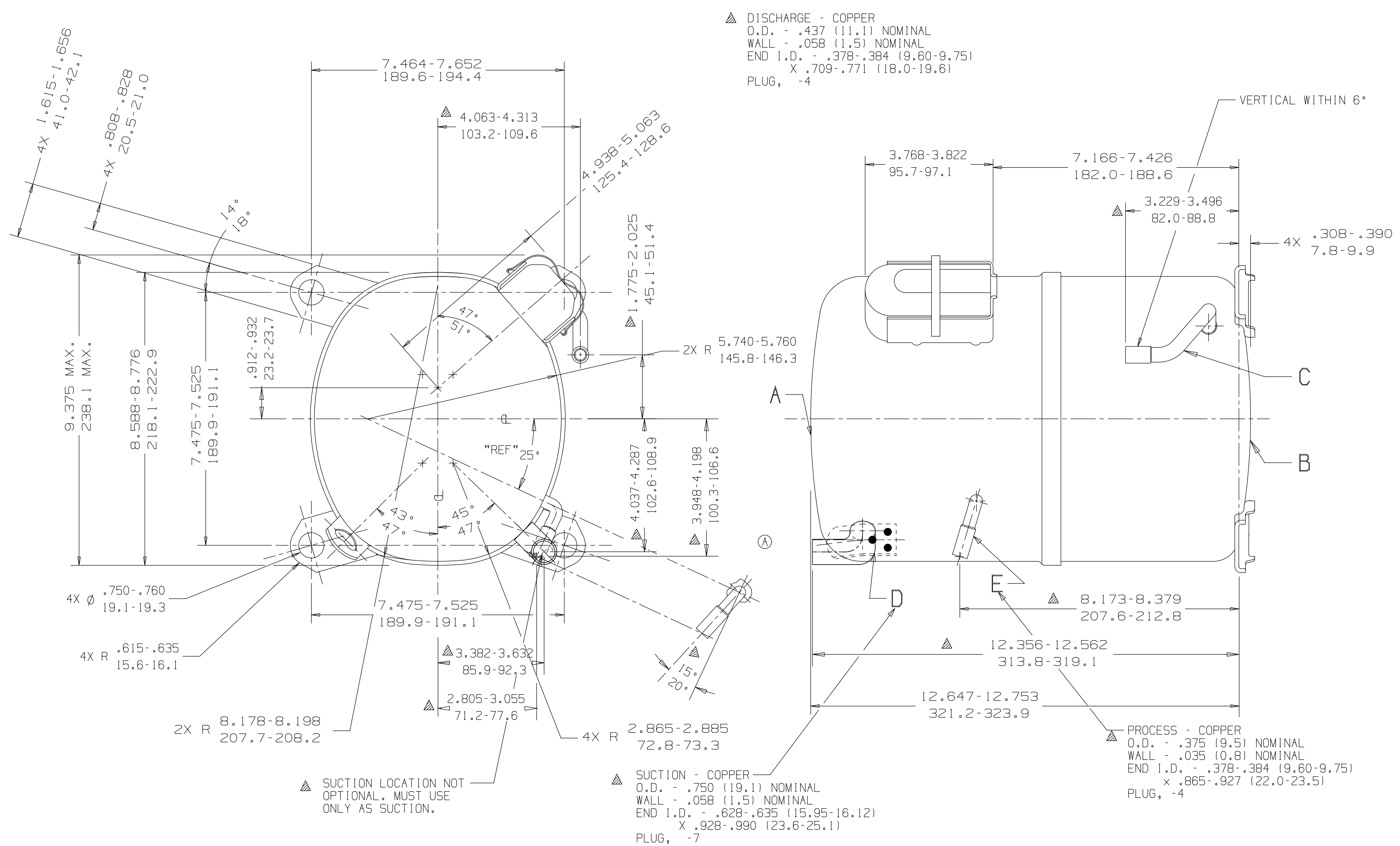


PART NO.
DCAW130



MANUFACTURING NOTES

- SEE DWG. #AHT38 FOR ASSY. OF DISCHARGE CONNECTOR & LOWER SHOCK LOOP IN LOWER HOUSING.
- SEE SPEC. "A-B" & "A-C" FOR PROCESSING.

A	HA642-13
B	HA674-3
C	34711
D	34854
E	34467

APPR.	DATE	DIS. CODE	NAME
CK.	CHANGED	34D	SALES COMPRESSOR
REL	#236436-002	DWN.	T.M.G
LT	LC	CK	2/4/98
<p>THIS PRINT SUPERSEDES ALL PRINTS PRIOR TO</p> <p>TECUMSEH PRODUCTS CO.</p> <p>TECUMSEH, MICHIGAN</p> <p>MATERIAL: NOTED</p> <p>INTERNAL USE ONLY</p> <p>Q:\aw\aw-dcaw130-a-c.prt</p>			
			PART NO.
			DCAW130

Q.A. SYMBOLS

- ★ = CATEGORY I
- ▲ = CATEGORY II
- = CATEGORY III
- = CATEGORY IV

AWG