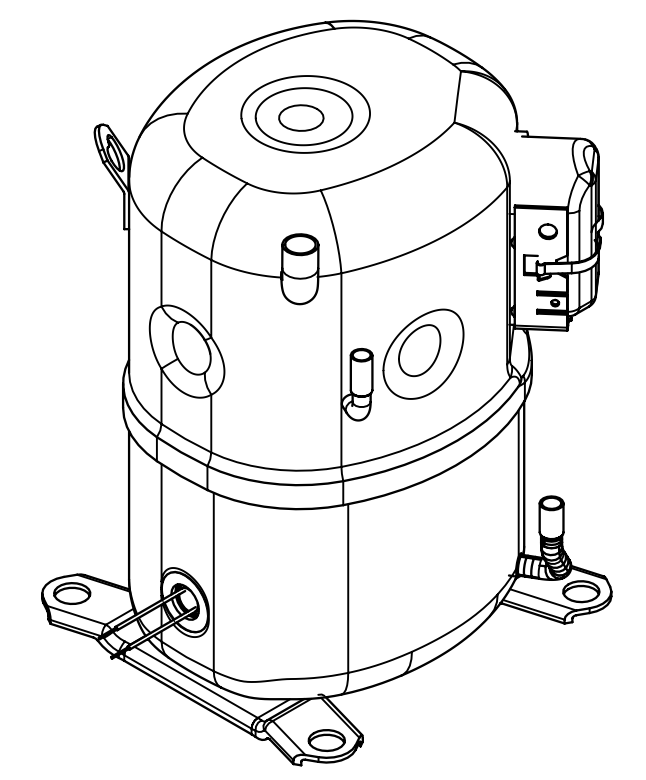


NOTE:
1. IF SPECIFIED ON BILL OF MATERIAL ASSEMBLE THESE PARTS AS SHOWN.
2. SEE SPEC. "A-B" FOR PROCESSING.
3. MUST COMPLY WITH T.P.Co. GLOBAL SPEC 08.
4. SEE DWG. #AHT3 FOR ASSEMBLY OF DISCHARGE CONNECTOR AND SHOCK LOOP IN LOWER HOUSING.

DIMENSIONING = INCHES
(MILLIMETERS)

A	HA642-13
B	HA674-04
C	34867
D	34854
E	90706
F	28080-3



SCALE 1:4

ENGLISH	
Q. A. SYMBOLS	
★	= CATEGORY I
▲	= CATEGORY II
■	= CATEGORY III
■	= CATEGORY IV

BANNER

REL	LC	CHANGE	DATE	---
THIS DRAWING OR PRINT (1:1) IS THE PROPERTY OF TECUMSEH AND CONTAINS PROPRIETARY AND CONFIDENTIAL INFORMATION. IT IS MADE AVAILABLE TO THE BUYER UNDER THE SPECIFIC CONDITIONS SET FORTH IN THE PURCHASE ORDER. BUYER SHALL NOT BE DISCLOSED OR MADE AVAILABLE TO ANY OTHER PARTY WITHOUT THE WRITTEN CONSENT OF TECUMSEH. BUYER'S EXPRESS AND SPECIFIC APPROVAL IN WRITING BY TECUMSEH IS REQUIRED FOR REPRODUCTION IN ANY FORM OR BY ANY MEANS. TECUMSEH'S PRIOR EXPRESS AND SPECIFIC WRITTEN CONSENT AND ITV THEREOF TO TECUMSEH AT THE BUYER'S REQUEST IS MADE.				
DLS.CODE				---
NAME				SALES COMPRESSOR
MATERIAL				NOTED
SCALE				1:2 & NOTED
DRAWING NO.				DCAW174
THIS PRINT SUPERSEDES ALL PRINTS PRIOR TO				
TECUMSEH PRODUCTS CO.				ANN ARBOR, MICHIGAN