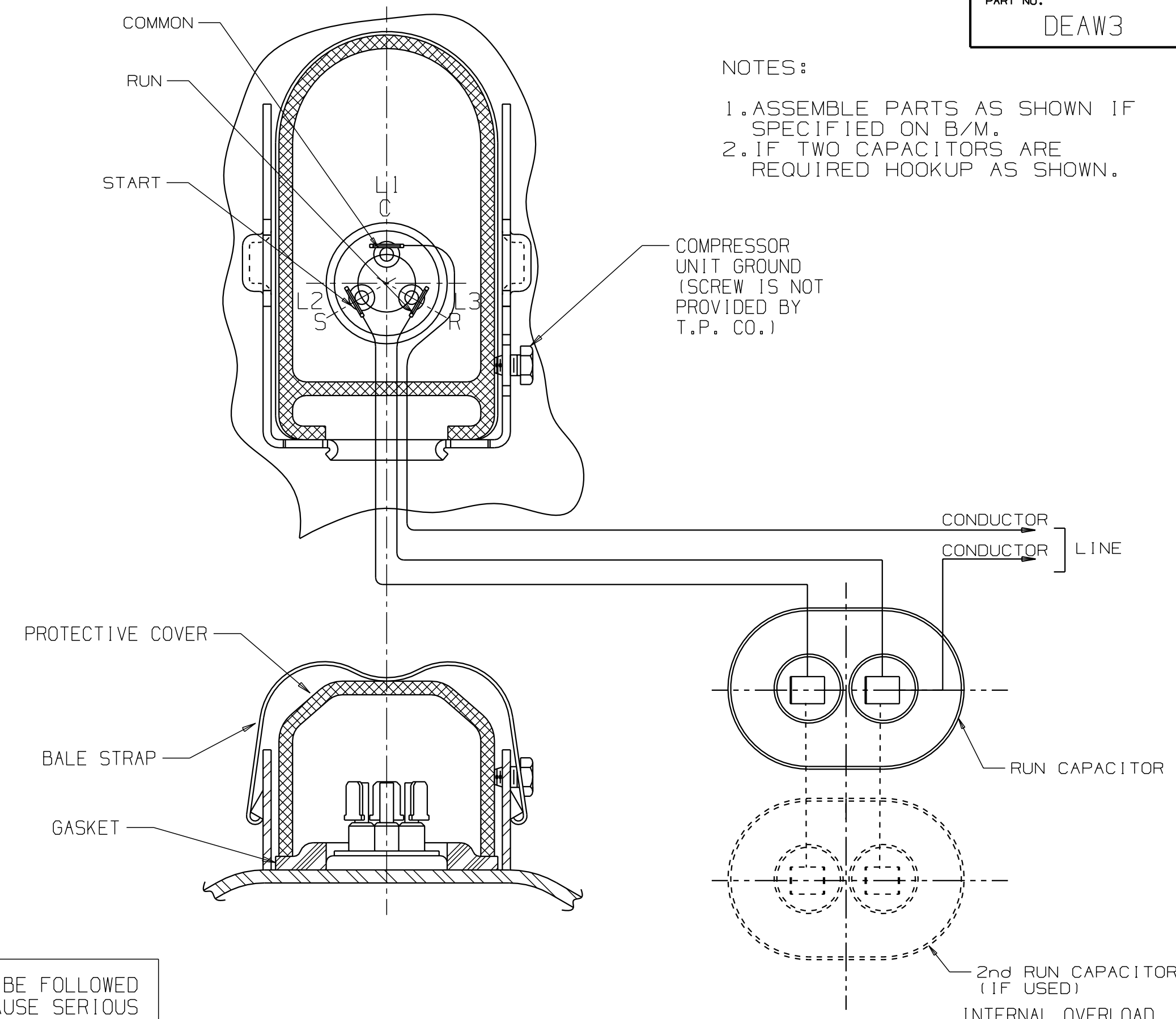
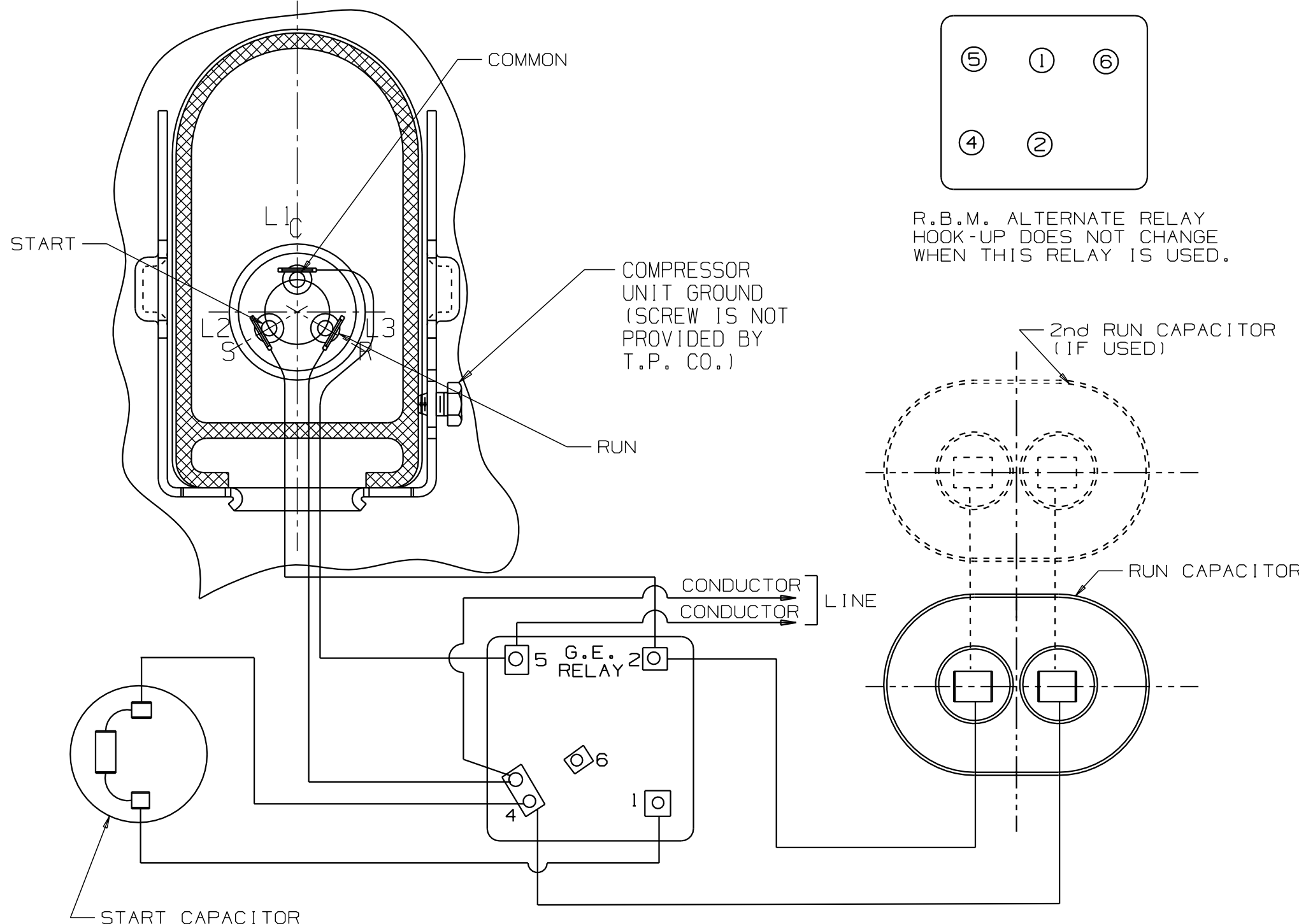
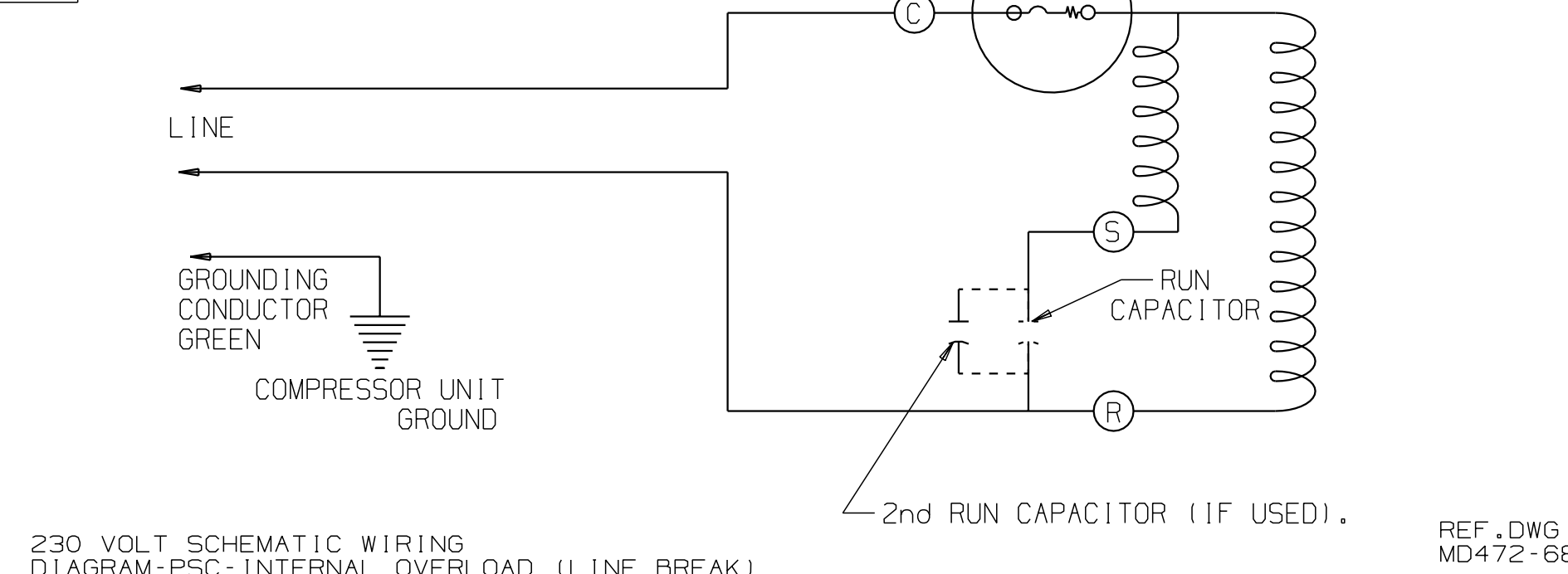
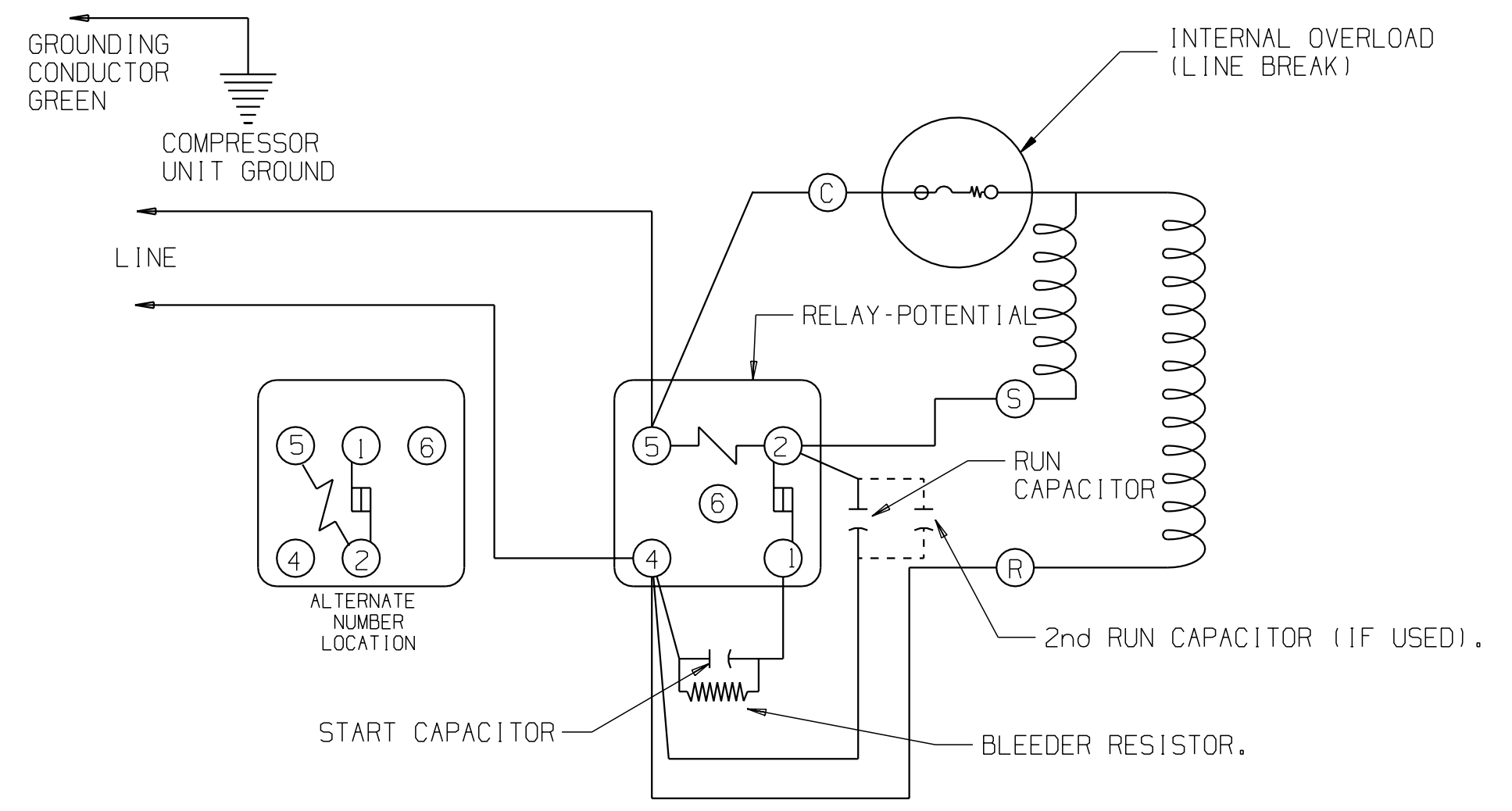
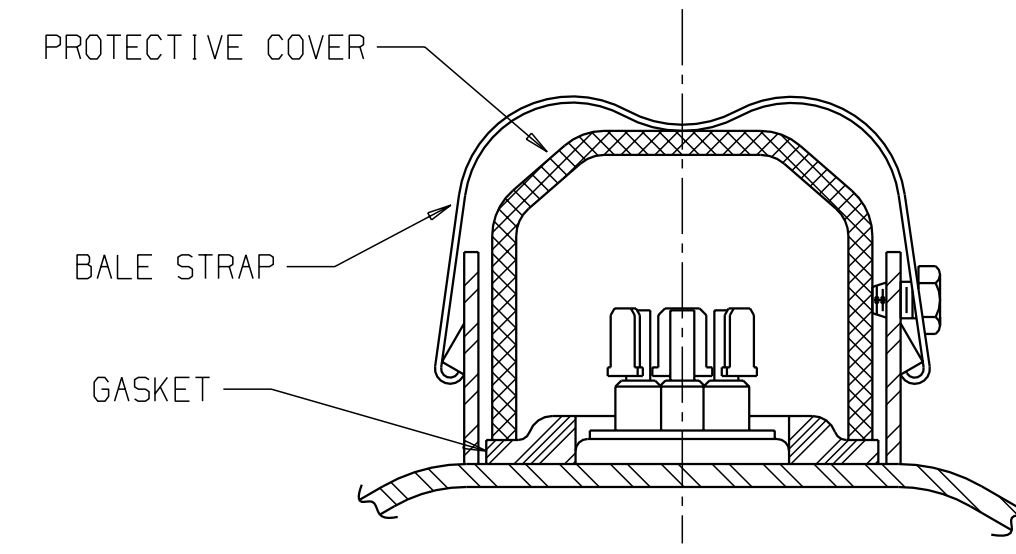
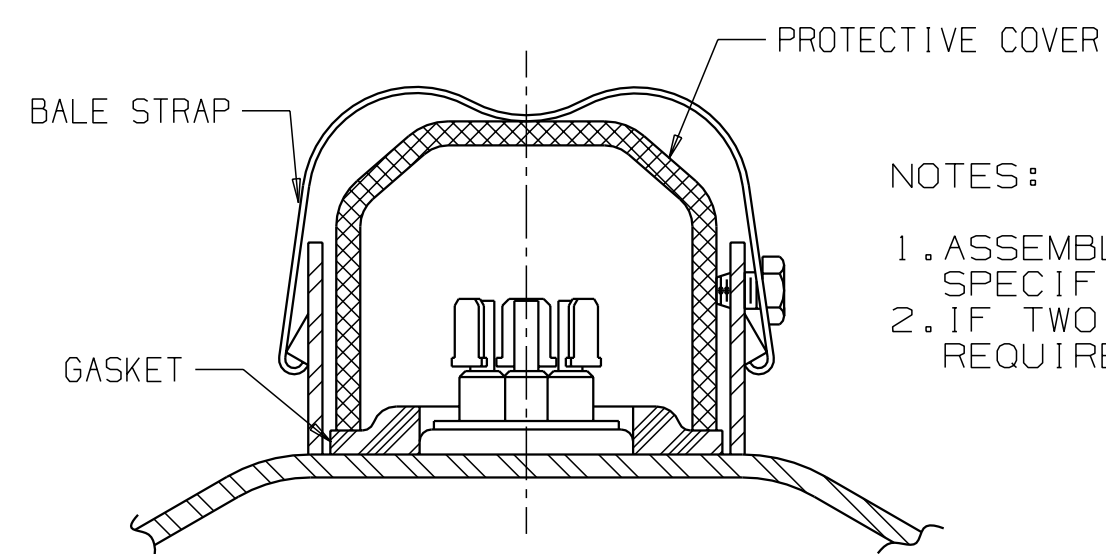


- NOTES:
1. ASSEMBLE PARTS AS SHOWN IF SPECIFIED ON B/M.
 2. IF TWO CAPACITORS ARE REQUIRED HOOKUP AS SHOWN.



- NOTES:
1. ASSEMBLE PARTS AS SHOWN IF SPECIFIED ON B/M.
 2. IF TWO RUN CAPACITORS ARE REQUIRED HOOKUP AS SHOWN.

WARNING - WIRING DIAGRAM MUST BE FOLLOWED AS SHOWN. ANY MISWIRING CAN CAUSE SERIOUS ELECTRICAL HAZARD AND POTENTIAL DAMAGE OR RUPTURE OF COMPONENT ELECTRICAL PARTS.



AW - 230V - PSC-INTERNAL OVERLOAD (LINE BREAK).
 AW - 230V - CSR OR CSR START CAPACITOR ASSIST-INTERNAL OVERLOAD (LINE BREAK).

ENGLISH	
	Q.A. SYMBOLS
	☆ = CATEGORY I
	△ = CATEGORY II
	□ = CATEGORY III
	= CATEGORY IV

230 VOLT SCHEMATIC WIRING DIAGRAM-CSR OR CSR START CAPACITOR ASSIST - INTERNAL OVERLOAD (LINE BREAK) - REF. DWG. MD472-69

230 VOLT SCHEMATIC WIRING DIAGRAM-PSC-INTERNAL OVERLOAD (LINE BREAK)

REF. DWG MD472-68

#244025-000 REF. DWG MD472-69 WAS MD472-34		ROHIT MD472-69 WAS MD472-34	DATE	ELECTRICAL HOOK-UP		DIS. CODE 34SU	NAME	
#235547 REDRAWN TO CAD		ELECTRICAL HOOK-UP		DWN. HINMAN 01/30/97		CK. MCAUGNEY 4-23-97
A		ELECTRICAL HOOK-UP		APR. BLANDEN		SCALE 1:1
B 5A		ELECTRICAL HOOK-UP		MATERIAL		THIS PRINT SUPERSEDES ALL PRINTS PRIOR TO
A		ELECTRICAL HOOK-UP		DRAWING NO.		DEAW3
A		ELECTRICAL HOOK-UP		DRAWING NO.		DEAW3

User: omit Part/Rev: aw-deaw3_b-c.prt Date: 24-Aug-05 Time: 13:45