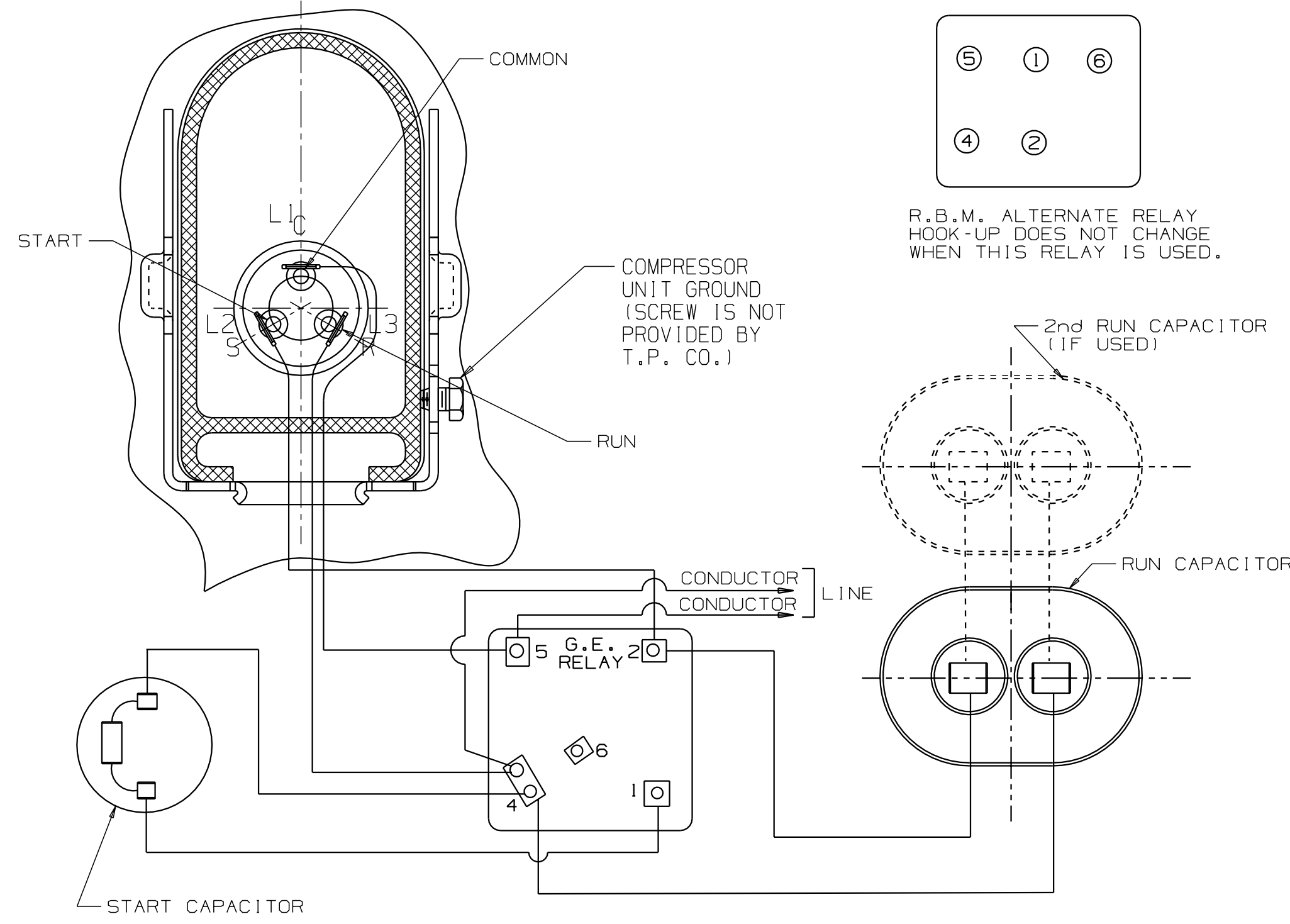
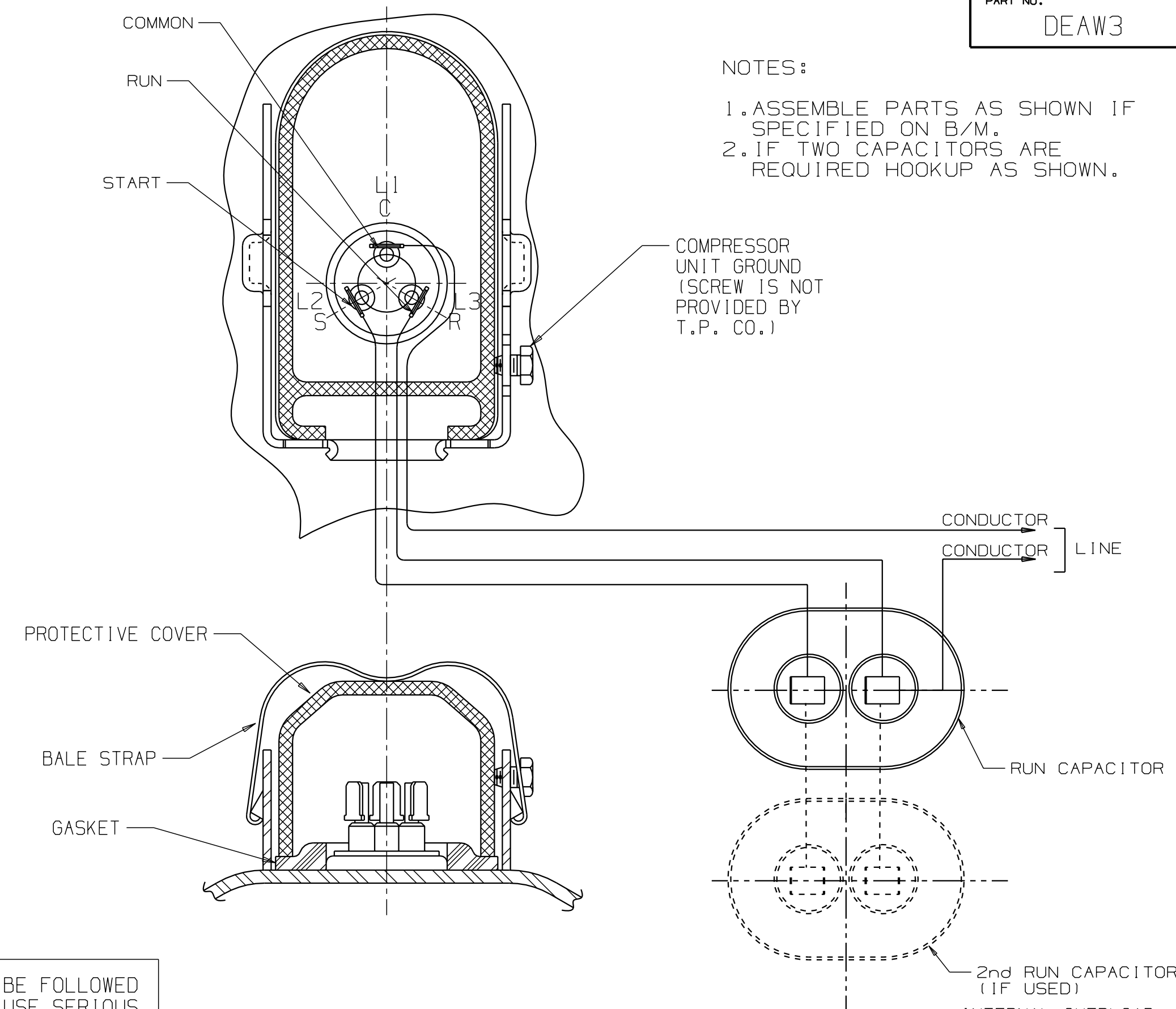


NOTES:
 1. ASSEMBLE PARTS AS SHOWN IF SPECIFIED ON B/M.
 2. IF TWO CAPACITORS ARE REQUIRED HOOKUP AS SHOWN.

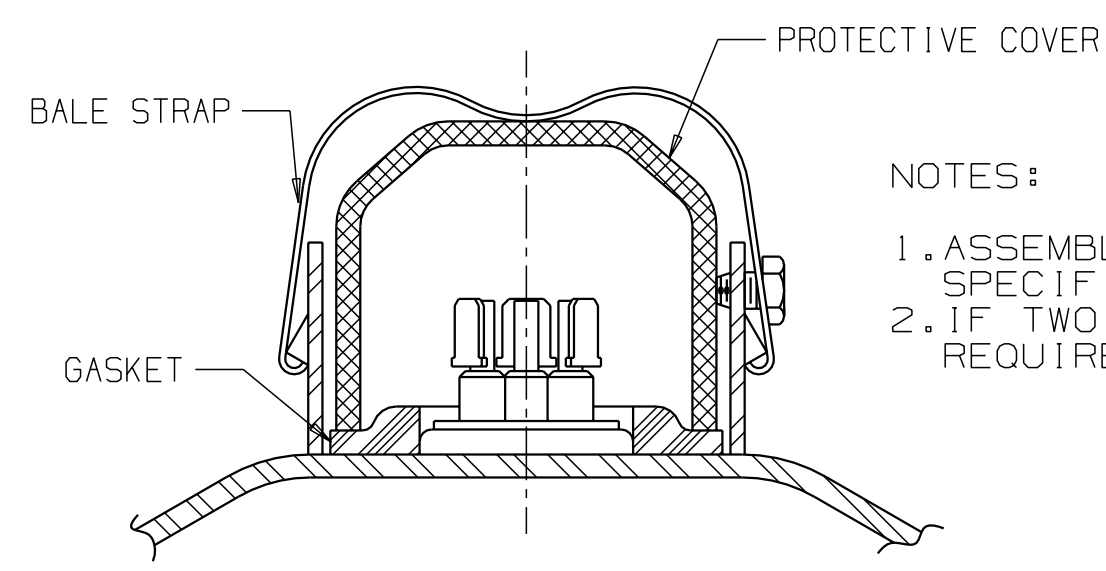


R.B.M. ALTERNATE RELAY HOOK-UP DOES NOT CHANGE WHEN THIS RELAY IS USED.

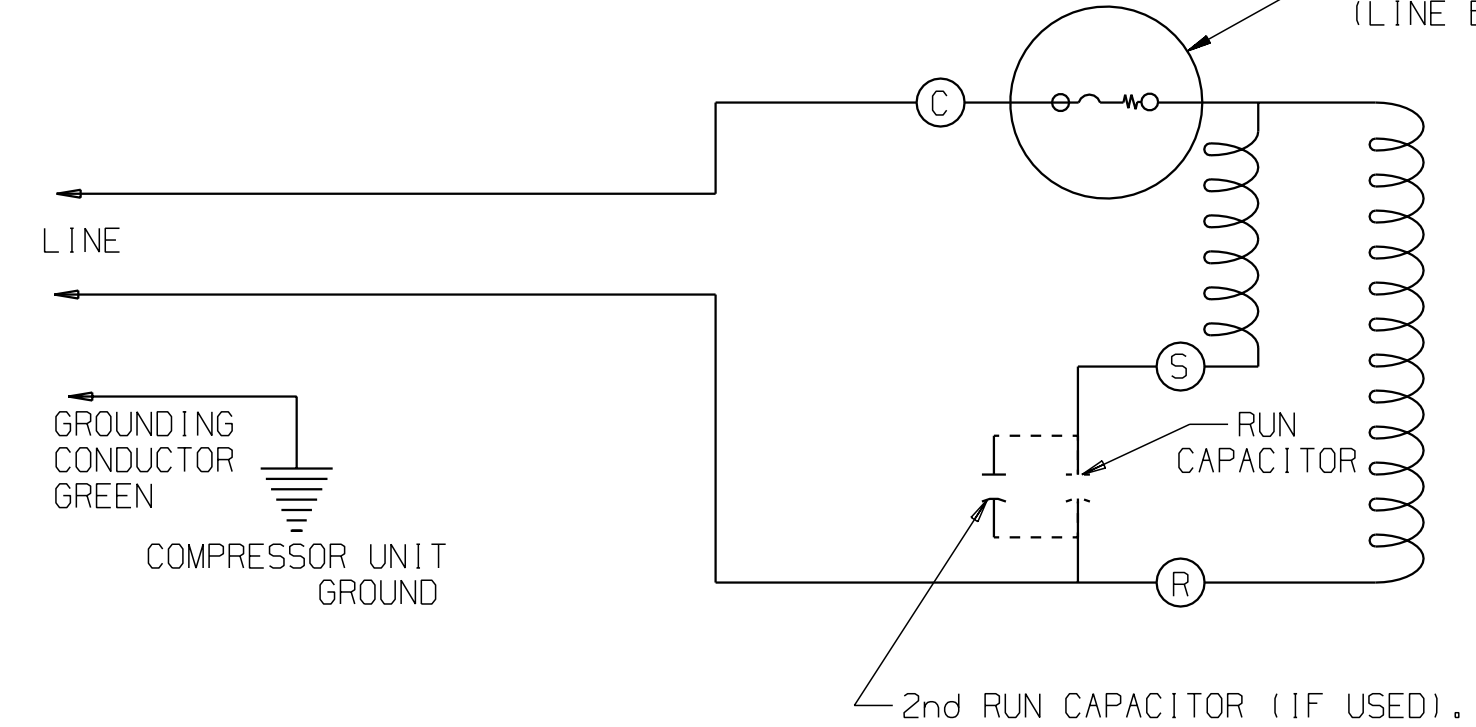


WARNING - WIRING DIAGRAM MUST BE FOLLOWED AS SHOWN. ANY MISWIRING CAN CAUSE SERIOUS ELECTRICAL HAZARD AND POTENTIAL DAMAGE OR RUPTURE OF COMPONENT ELECTRICAL PARTS.

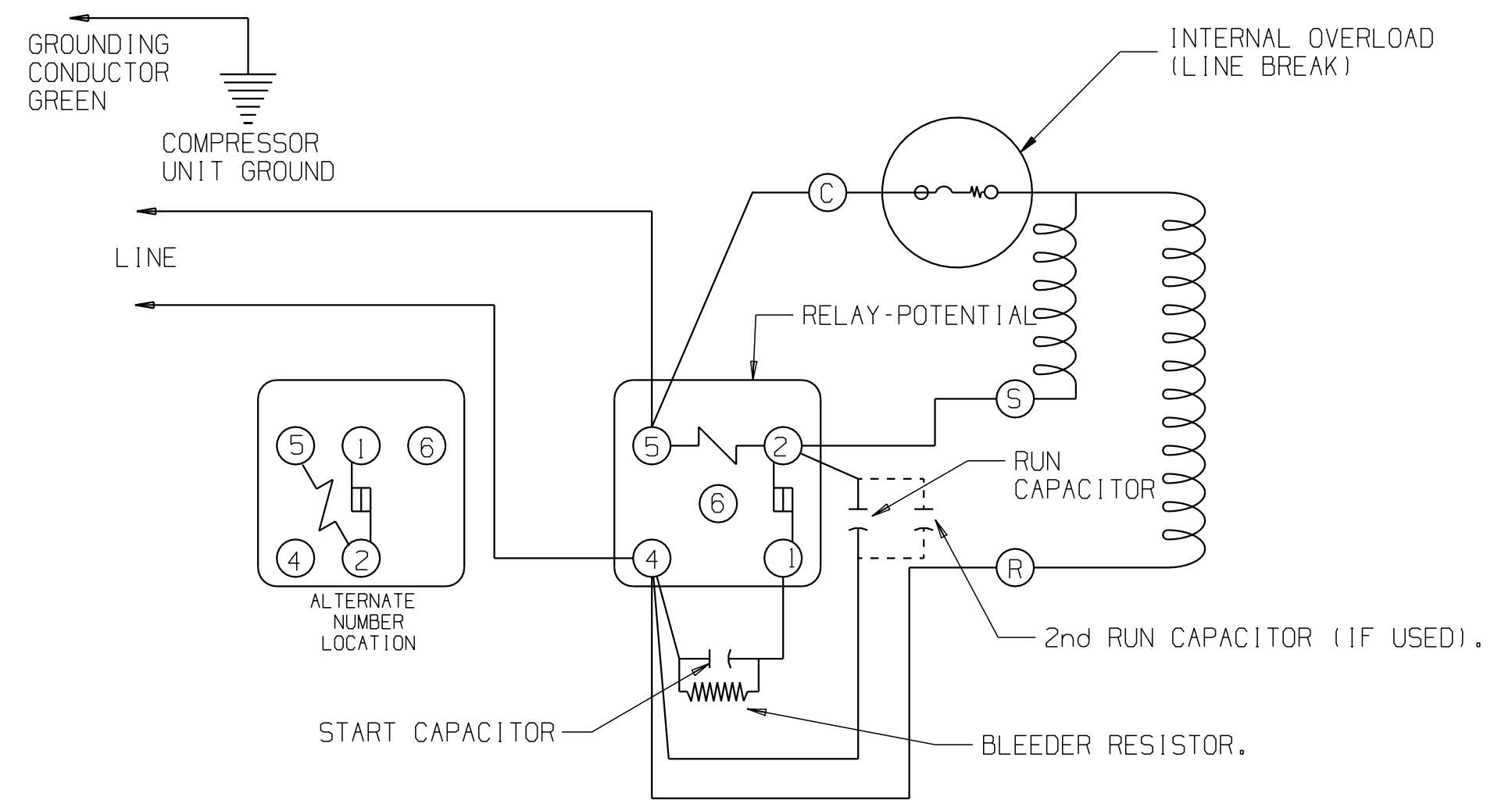
NOTES:
 1. ASSEMBLE PARTS AS SHOWN IF SPECIFIED ON B/M.
 2. IF TWO RUN CAPACITORS ARE REQUIRED HOOKUP AS SHOWN.



230 VOLT SCHEMATIC WIRING DIAGRAM-PSC-INTERNAL OVERLOAD (LINE BREAK)



REF. DWG MD472-68



230 VOLT SCHEMATIC WIRING DIAGRAM-CSR OR CSR START CAPACITOR ASSIST -INTERNAL OVERLOAD (LINE BREAK)-REF. DWG. MD472-69

ENGLISH	
Q.A. SYMBOLS	
☆	= CATEGORY I
△	= CATEGORY II
□	= CATEGORY III
○	= CATEGORY IV

AW - 230V - PSC-INTERNAL OVERLOAD (LINE BREAK).
 AW - 230V - CSR OR CSR START CAPACITOR ASSIST-INTERNAL OVERLOAD (LINE BREAK).

REV	DATE	BY	CHKD	DESCRIPTION
B	244025-000	ROHIT	...	REF. DWG MD472-69 WAS MD472-34
A	235547	REDRAWN TO CAD		
THIS DRAWING OR PRINT IS THE PROPERTY OF TECUMSEH PRODUCTS COMPANY. IT IS TO BE USED ONLY FOR THE PROJECT AND FOR THE QUANTITY SPECIFIED ON THE EXPRESS AND WRITTEN CONSENT AND (L1) SHALL NOT BE REPRODUCED OR COPIED IN ANY MANNER OR TO ANY EXTENT WITHOUT THE SPECIFIC WRITTEN CONSENT AND (L1) SHALL BE RETURNED BY THE RECIPIENT TO THE DRAWING OFFICE PROMPTLY AFTER SUCH REVISIONS ARE MADE. DRAWING SHALL BE FERROUS MATERIALS MUST NOT BE MADE OF ALUMINUM OR OTHER NON-FERROUS MATERIALS. ALL DIMENSIONS SHALL BE IN INCHES UNLESS OTHERWISE SPECIFIED.				
DIS. CODE		NAME		
34SU		ELECTRICAL HOOK-UP		
MATERIAL		SCALE		
.....		1:1		
TECUMSEH PRODUCTS CO.		DRAWING NO.		
TECUMSEH, MICHIGAN		DEAW3		
		THIS PRINT SUPERSEDES ALL PRINTS PRIOR TO		