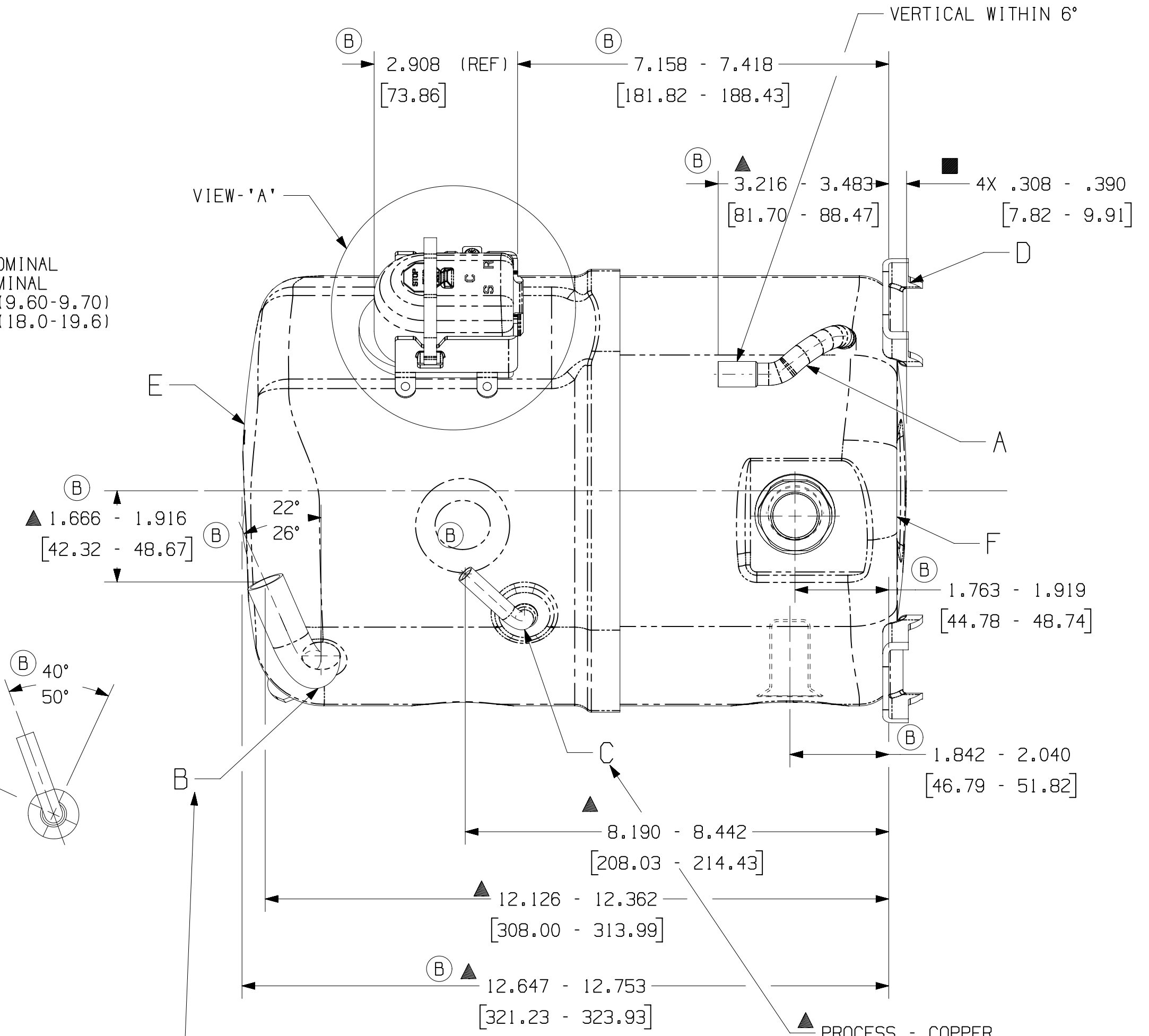
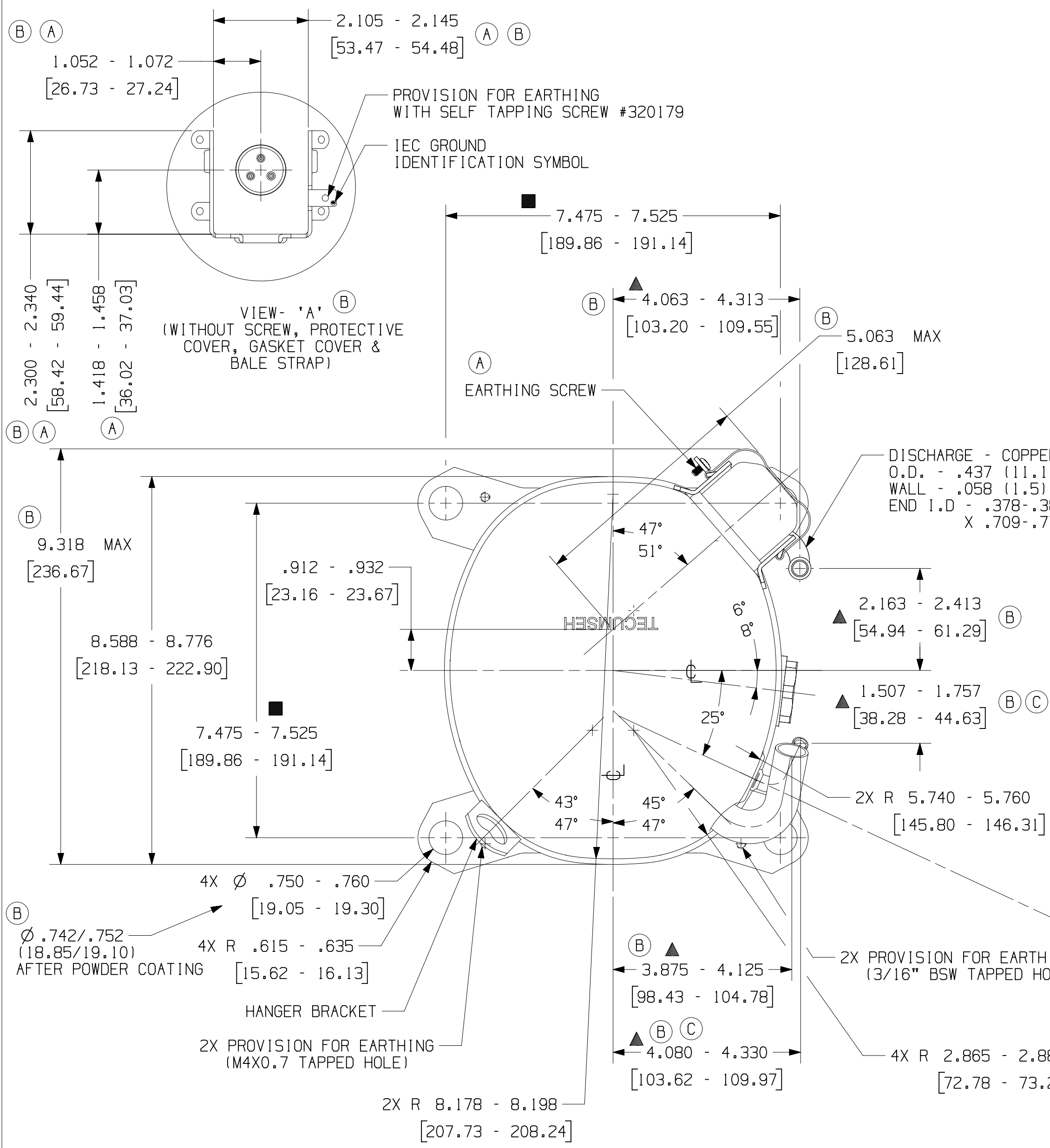


PROTECTIVE PARTS		
SNO.	NAME	ITEM CODE
1	TUBE PLUG_SUCTION (I.D. 0.625)	701-10013
2	TUBE PLUG_PROCESS (I.D. 0.250)	701-10014
3	TUBE PLUG_DISCHARGE (I.D. 0.375)	701-10015
4	PAINT PROTECTION CAP - 1.5	CLMIPR0135
5	PROTECTIVE COVER	MCPCXAWX235000
6	GASKET COVER	301-10100
7	BALE STRAP	122-10199



- NOTES:
- IF SPECIFIED ON BILL OF MATERIAL ASSEMBLE THESE PARTS AS SHOWN.
  - SEE SPEC. "A-B" FOR PROCESSING.
  - SEE DWG. #HA-10433 FOR ASSEMBLY OF DISCHARGE CONNECTOR AND SHOCKLOOP IN LOWER HOUSING.
  - SIGHT GLASS TIGHTENING TORQUE 400 - 500 KG-CM (40 - 50 N-m).
  - PROTECTIVE PARTS ARE NOT SHOWN IN THE DRAWING, MENTIONED IN THE TABLE.
  - COMPRESSOR ACCESSORIES ARE NOT REPRESENTED IN THE DRAWING.
  - MUST COMPLY WITH T.P.Co. GLOBAL SPEC 08.

A	34867
B	EX34649-01
C	580-10110
D	AWX-2102-02
E	HA-10430
F	HA-10433

NOTE:  
 DIMENSIONING = INCHES OR INCHES (MILLIMETERS)  
 MILLIMETERS

ENGLISH

Q.A. SYMBOLS

- ★ = CATEGORY I
- ▲ = CATEGORY II
- = CATEGORY III
- = CATEGORY IV

REV	LT	LC	CHANGE	DATE	DIS.CODE	NA	SCALE	THIS PRINT SUPERSEDES ALL PRINTS PRIOR TO
1			EC91607	23JUL21		COMPRESSOR	1:2 & NOTED	DCFH602
2			EC91607	12APR20		COMPRESSOR	1:2 & NOTED	DCFH602
3			EC91607	15FEB22		COMPRESSOR	1:2 & NOTED	DCFH602