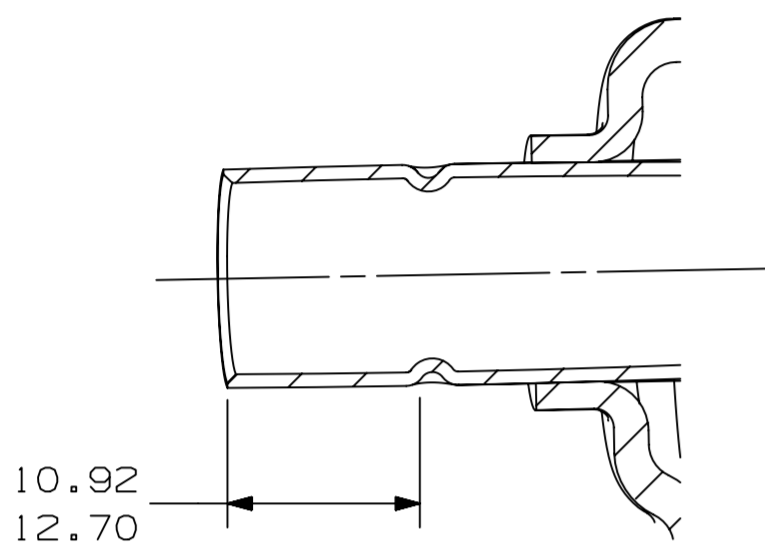
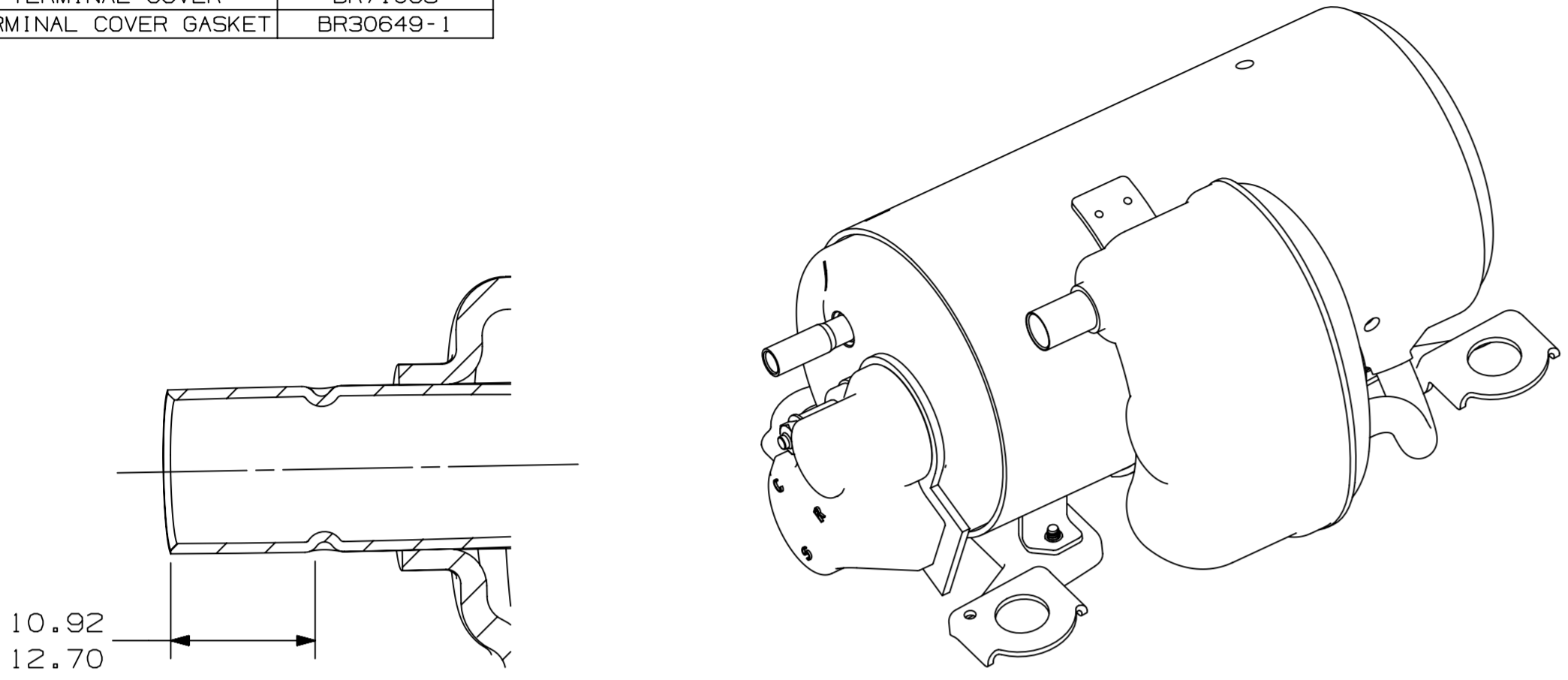
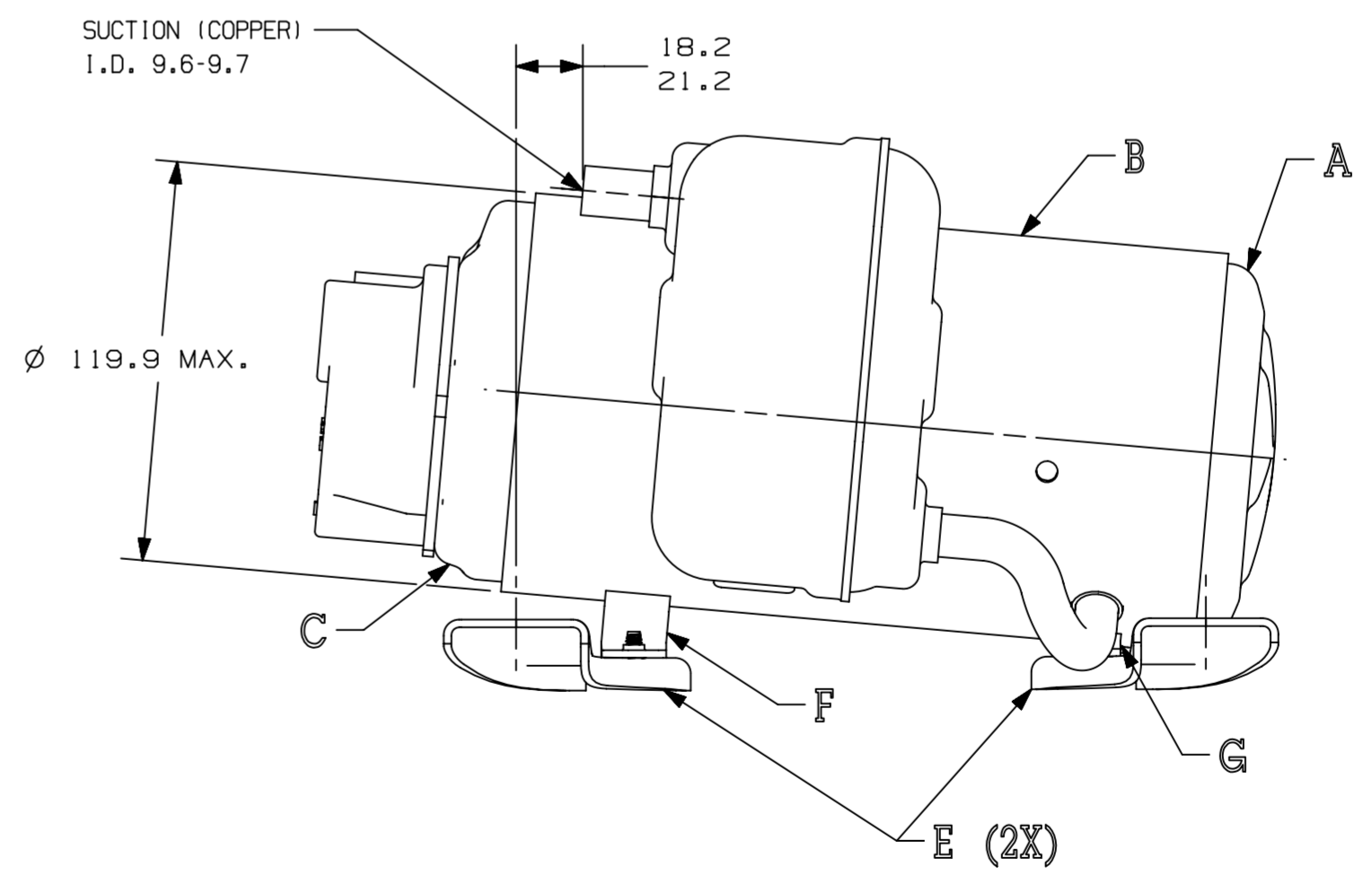
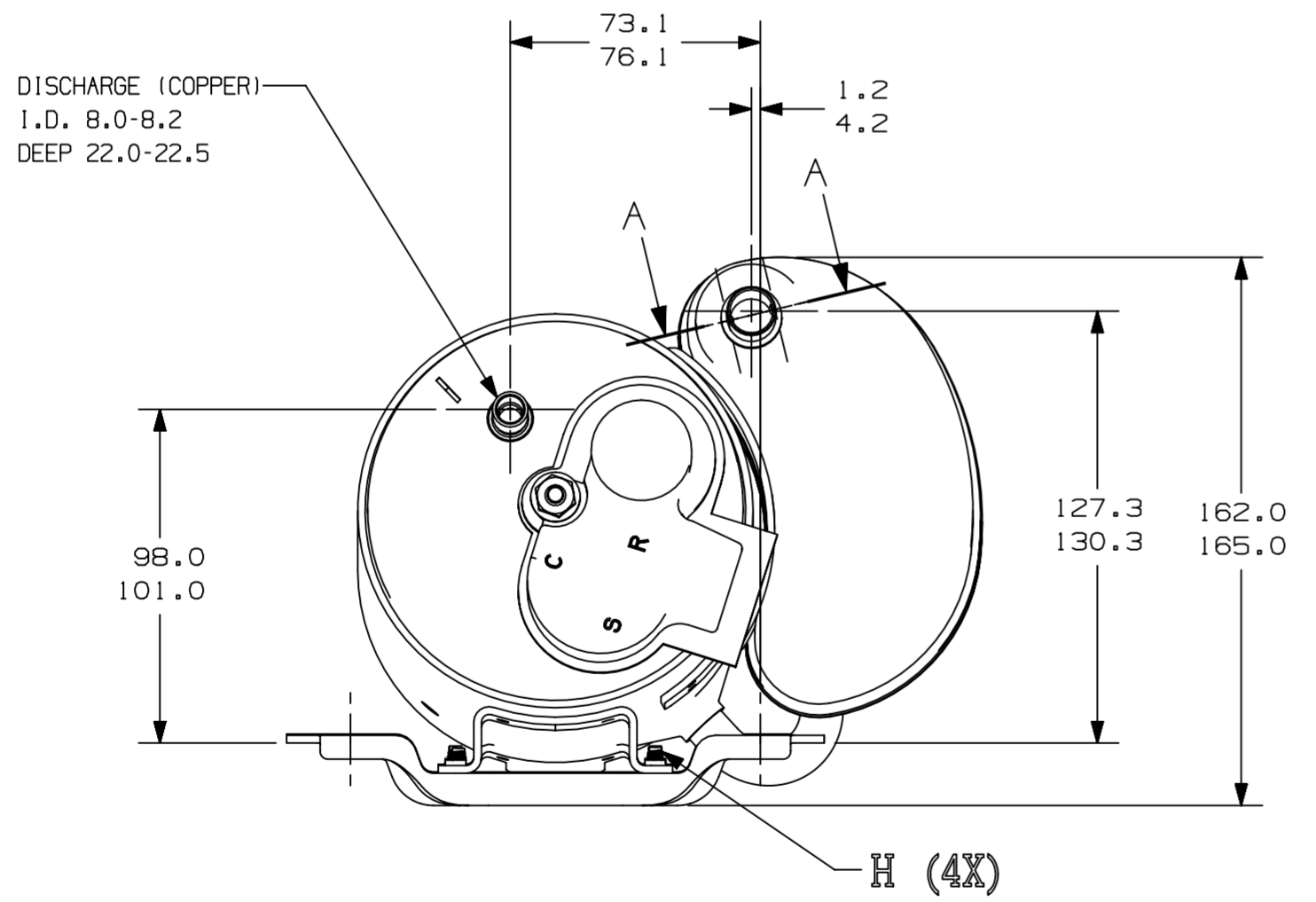
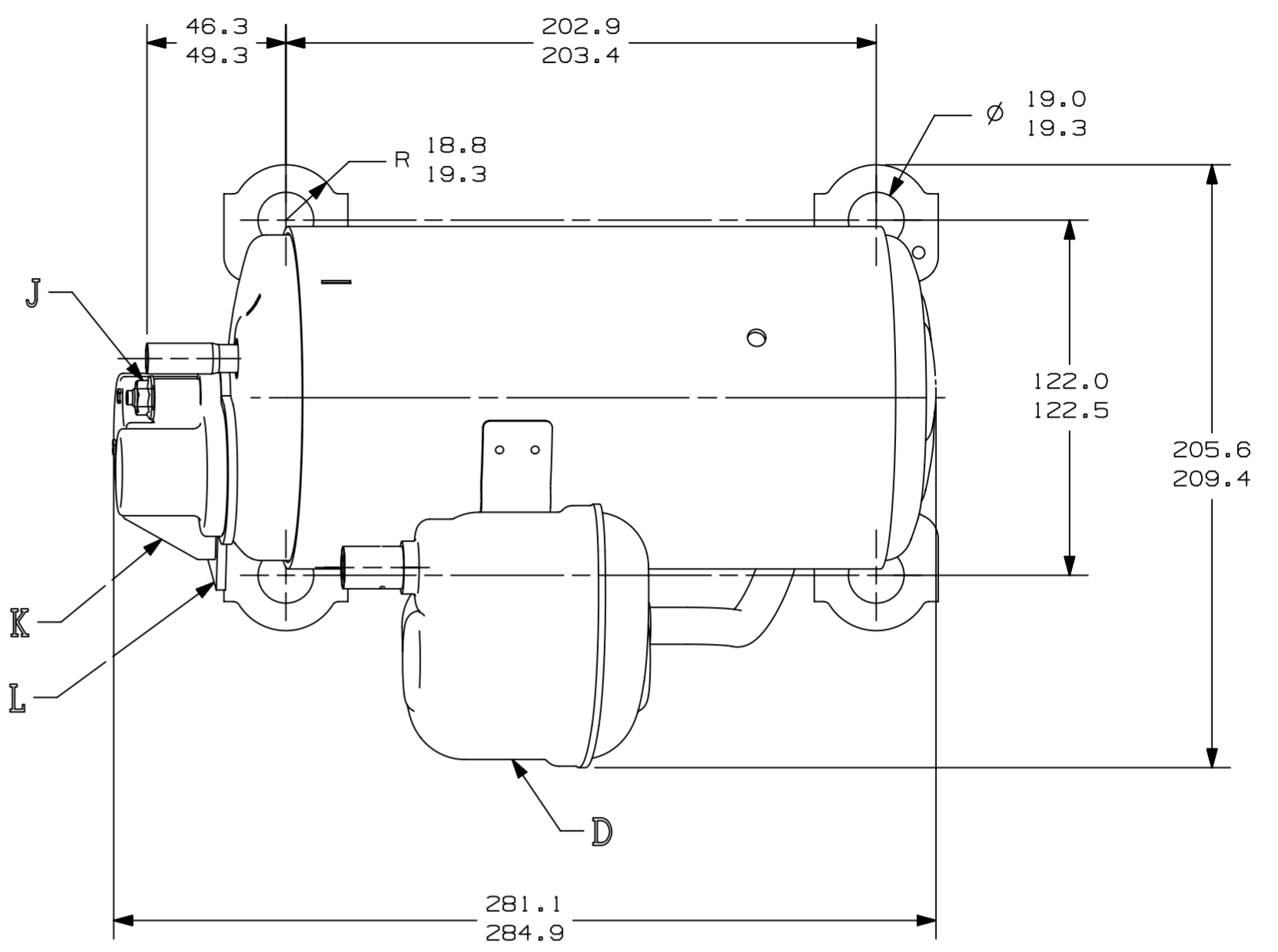


A	LOWER HOUSING	BR32006
B	HOUSING ASSY	307080
C	UPPER HOUSING ASSY	320-10274
D	SUCTION ACCUMULATOR	A12102-01
E	MOUNTING PLATE	28136
F	MOUNTING BRACKET - FRONT	28832-1
G	MOUNTING BRACKET - BACK	28834-1
H	MOUNTING PLATE SCREW	330-10142
J	HEX NUT	11230
K	TERMINAL COVER	BR71068
L	TERMINAL COVER GASKET	BR30649-1



SECTION A-A
SCALE 2:1



REV.	DATE	CHANGE
01	17-12-20	AMP NICOLAU
02	19-03-18	CADEM MS.
03	09-10-17	MS.
04	09-14	MS.
05	11-02-14	MS.
06	29/05/02	LIBERADO EM
07	CE-4994/02	CE

THIS DRAWING OR PRINT (1) IS THE PROPERTY OF TECUMSEH DO BRASIL LTDA. AND CONTAINS PROPRIETARY AND CONFIDENTIAL INFORMATION BELONGING TO TECUMSEH DO BRASIL. IT IS TO BE USED ONLY FOR THE SPECIFIC PURPOSE AND UNDER THE EXPRESS AND SPECIFIC CONDITION THAT NEITHER IT NOR THE INFORMATION CONTAINED THEREIN OR DISCLOSED OR MADE AVAILABLE TO OTHERS WITHOUT THE EXPRESS AND SPECIFIC WRITTEN CONSENT OF TECUMSEH DO BRASIL AND ANY REPRODUCTION OR TRANSMISSION BY ANY MEANS, INCLUDING PHOTOCOPYING, RECORDING, OR BY ANY INFORMATION STORAGE AND RETRIEVAL SYSTEM, IS STRICTLY PROHIBITED. (1/1) SHALL NOT BE COPIED OR TO ANY EXTENT WITH-OUT TECUMSEH DO BRASIL PRIOR EXPRESS AND SPECIFIC WRITTEN CONSENT AND (1/1) SHALL BE RETURNED BY THE RECIPIENT LATTER'S REQUEST PROMPTLY AFTER SUCH REQUEST IS MADE.

DO NOT SCALE THIS DRAWING. ALL FER-ROUS MATERIALS MUST NOT BE MAGNETIZED AS RECEIVED OR AT COMPRESSOR ASSEMBLY

THIRD ANGLE PROJECTION

UNITS: mm

DRAWING SIZE: A2

0. A. SYMBOLS AS PROCEDURE 2.01.031 TECUMSEH OF BRAZIL

★ = CATEGORY I
▲ = CATEGORY II
■ = CATEGORY III
● = CATEGORY IV

NAME: SALES COMPRESSOR

PART NO.: DCHG203

SCALE: 1:2

PAGE: 1/1

DATE: 04/02/02

REF.

FAMILY: HG