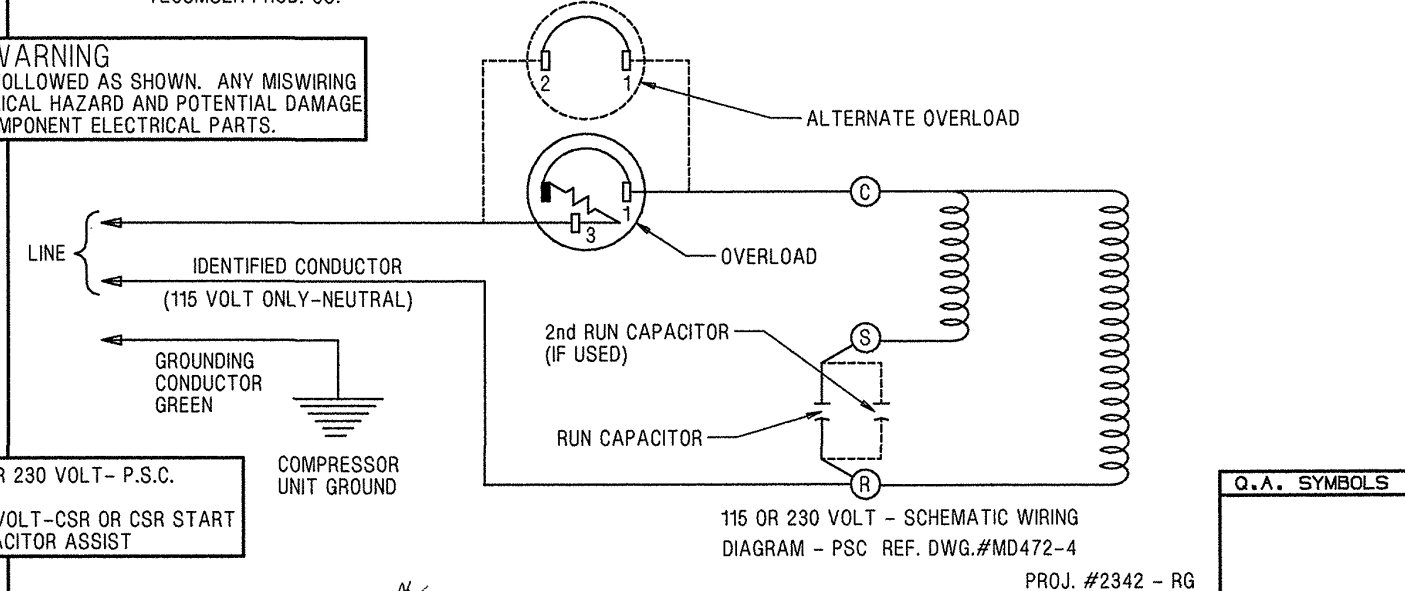


- NOTE:
1. ASSEMBLE PARTS AS SHOWN IF SPECIFIED ON B/M.
  2. IDENTIFIED CONDUCTOR MAY BE WHITE OR RIBBED (115 VOLT ONLY - NEUTRAL).
  3. IF TWO RUN CAPACITORS ARE REQUIRED HOOKUP AS SHOWN.
  - (A) 4. COMPRESSOR UNIT GROUND LOCATED IN THE MOUNTING FEET OF THE COMPRESSOR.
  - (B) 5. GROUND SCREW IS NOT PROVIDED BY TECUMSEH PROD. CO.

**WARNING**  
 WIRING DIAGRAM MUST BE FOLLOWED AS SHOWN. ANY MISWIRING CAN CAUSE SERIOUS ELECTRICAL HAZARD AND POTENTIAL DAMAGE OR RUPTURE OF COMPONENT ELECTRICAL PARTS.



RG-115 OR 230 VOLT - P.S.C.  
 RG-115 OR 230 VOLT - CSR OR CSR START CAPACITOR ASSIST

115 OR 230 VOLT - SCHEMATIC WIRING DIAGRAM - PSC REF. DWG.#MD472-4  
 PROJ. #2342 - RG

REF. DWG. #MD472-35

115 OR 230 VOLT - SCHEMATIC WIRING DIAGRAM CSR OR CSR START CAPACITOR ASSIST

LT	LC	CHANGE	DATE	DESCRIPTION
			4/10/97	SJS
				#235682 ADDED NOTE 5
				4C 8C 4C ADDED NOTE 4
				#228417-217

DIS. CODE	NAME	SCALE	THIS PRINT SUPERSEDES ALL PRINTS PRIOR TO
345	ELECTRICAL HOOKUP	NONE	
DWN. A.S.C. 6/3/94	CK. <i>M. DUGHEZ</i> 4-15-97	APR. <i>BLANDEN</i>	
TECUMSEH PRODUCTS CO. TECUMSEH, MICHIGAN			PART NO. DERG1
INTERNAL USE ONLY UGIDISK6/SHERMANRG-DERGO1CB-C.PRT			