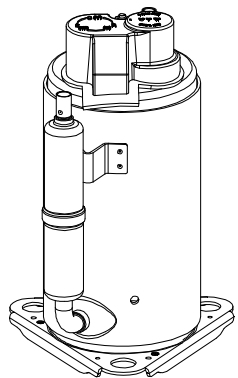
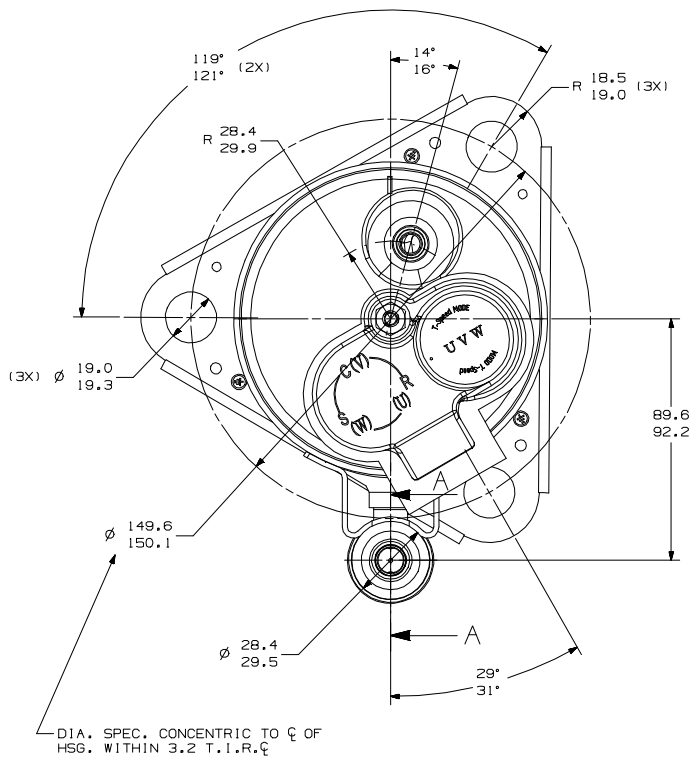
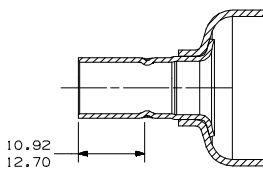


A	HOUSING ASS'Y	BRHA649-11	
B	ACCUMULATOR	BRA12108-3	① ②
C	MOUNTING PLATE	28823	
D	TOP CAP ASSEMBLY	320-10666	③ ④
		BRHA706 (ALT 1)	
		320-10396 (ALT 2)	

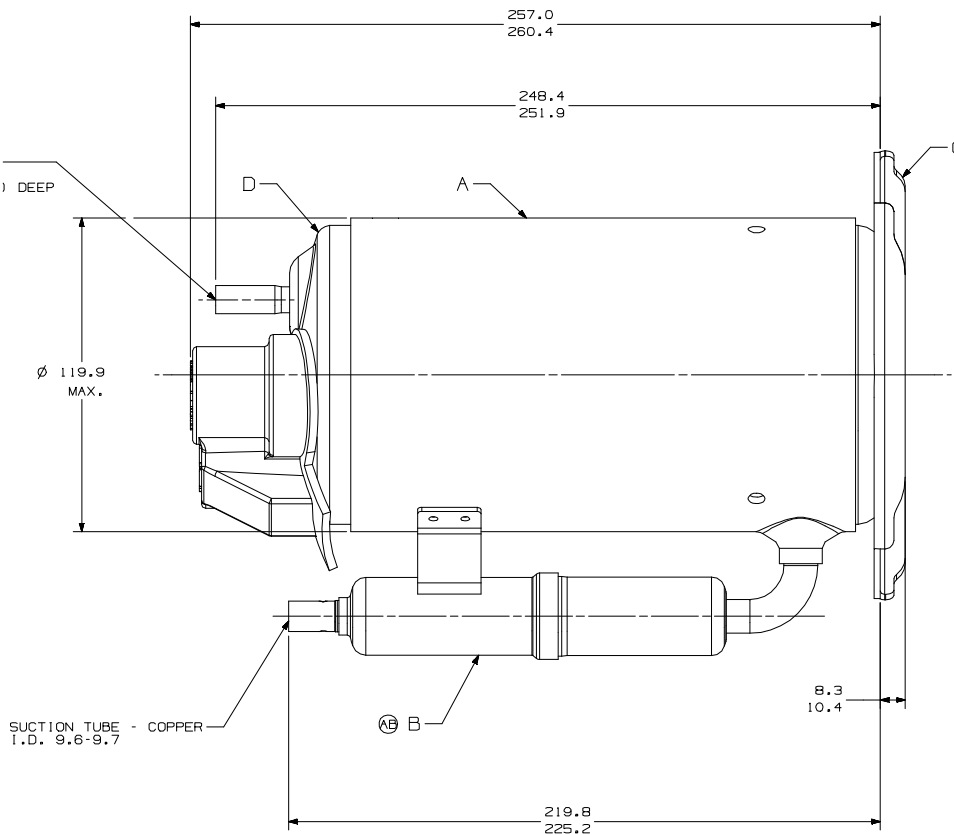


DISCHARGE TUBE - (COPPER)
WALL = 1.2-1.3
I.D. = 8.0-8.2 (22.0-22.5) DEEP

SUCTION TUBE - COPPER
I.D. 9.6-9.7



③ SECTION A-A
SCALE 2:1



KIT 4,5,6

REV	DATE	BY	CHKD	APP'D	DESCRIPTION
1	28/04/04	ALEXANDRO	SCHIAYONE	A. ZANATTA	SALES COMPRESSOR

Tecumseh
 SALES COMPRESSOR
 PART NO. DCRG501
 SCALE 1:1
 DATE 28/04/04
 REF.