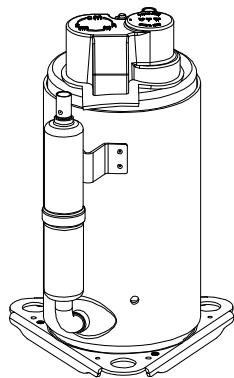
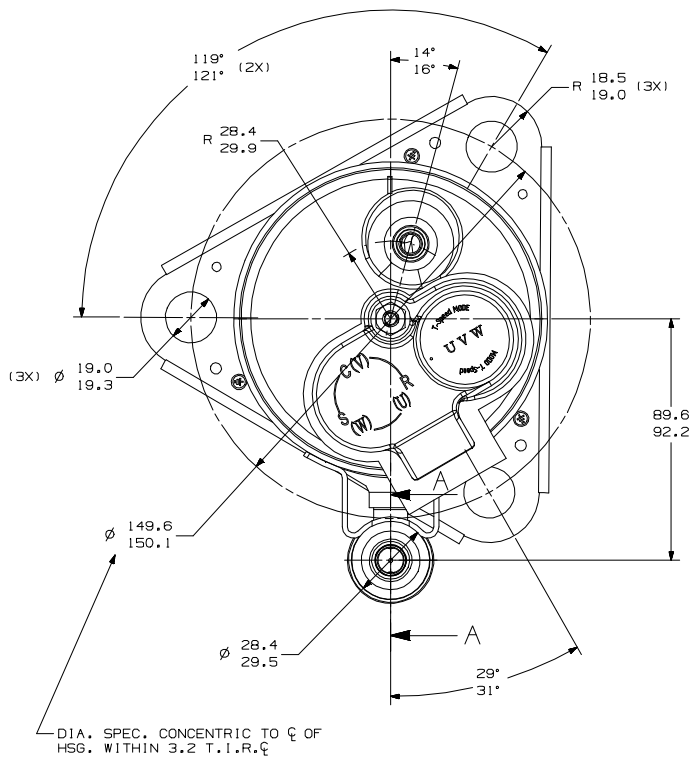
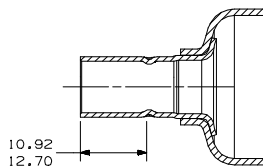


A	HOUSING ASS'Y	BRHA649-11	
B	ACCUMULATOR	BRA12108-3	① AB
C	MOUNTING PLATE	28823	
D	TOP CAP ASSEMBLY	320-10666	AC AB
		BRHA706 (ALT 1)	
		320-10396 (ALT 2)	

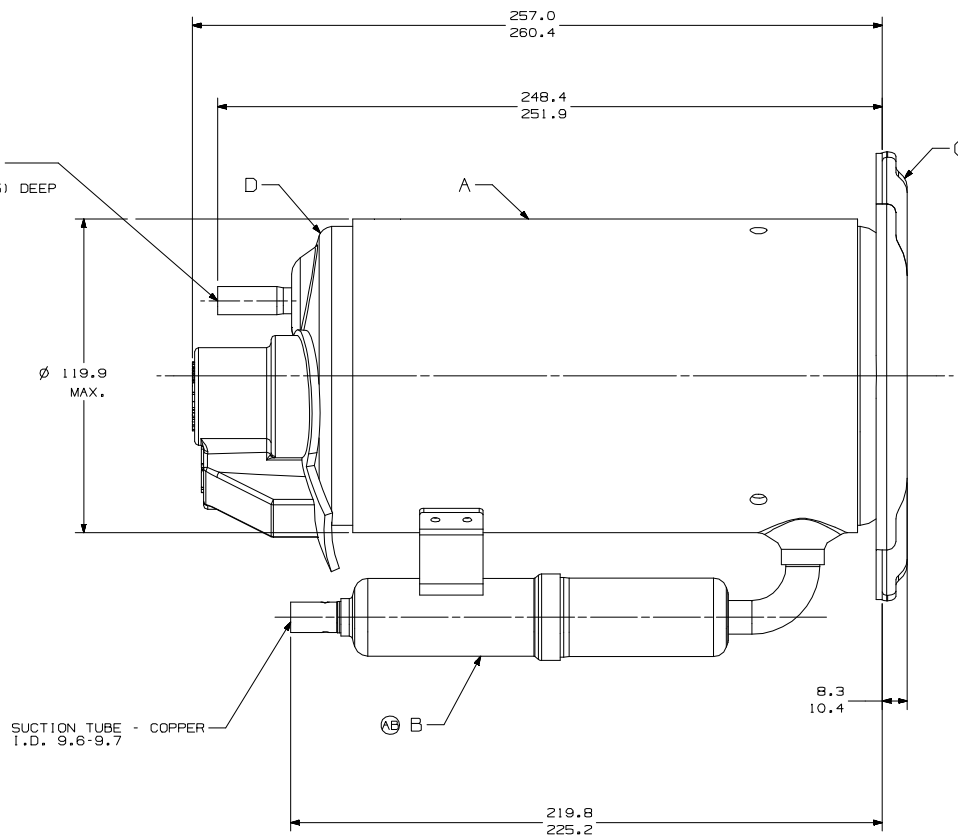


DISCHARGE TUBE - (COPPER)
WALL = 1.2-1.3
I.D. = 8.0-8.2 (22.0-22.5) DEEP

SUCTION TUBE - COPPER
I.D. 9.6-9.7



SECTION A-A
SCALE 2:1



KIT 4,5,6

REV	DATE	BY	CHKD	APP'D	DESCRIPTION
1	12/28/05
2	05/04/06
3	05/04/06
4	05/04/06
5	05/04/06
6	05/04/06
7	05/04/06
8	05/04/06
9	05/04/06
10	05/04/06
11	05/04/06
12	05/04/06

1. A CHECKED BY: PRODUCTION 28-021
 2. A CHECKED BY: TOLERANCE OF MANUF.
 3. A CHECKED BY: ...
 4. A CHECKED BY: ...
 5. A CHECKED BY: ...
 6. A CHECKED BY: ...
 7. A CHECKED BY: ...
 8. A CHECKED BY: ...
 9. A CHECKED BY: ...
 10. A CHECKED BY: ...
 11. A CHECKED BY: ...
 12. A CHECKED BY: ...

HIND HOLE PROJECTION
 UNITS: mm
 DIMENSIONS: SIZE: A1
 NAME: SALES COMPRESSOR
 PART NO.: DCRG501
 DWN: ALEXSANDRO
 CK: SCHIAYONE
 APR: A. ZANATTA
 SCALE: 1:1
 DATE: 28/04/04
 REF.:
 FAMILY: RG

Tecumseh
 KIT 4,5,6