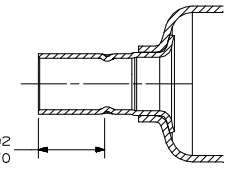
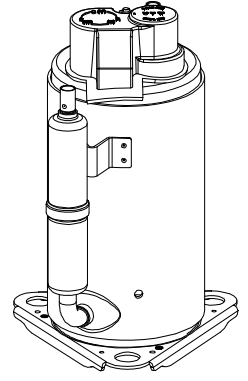
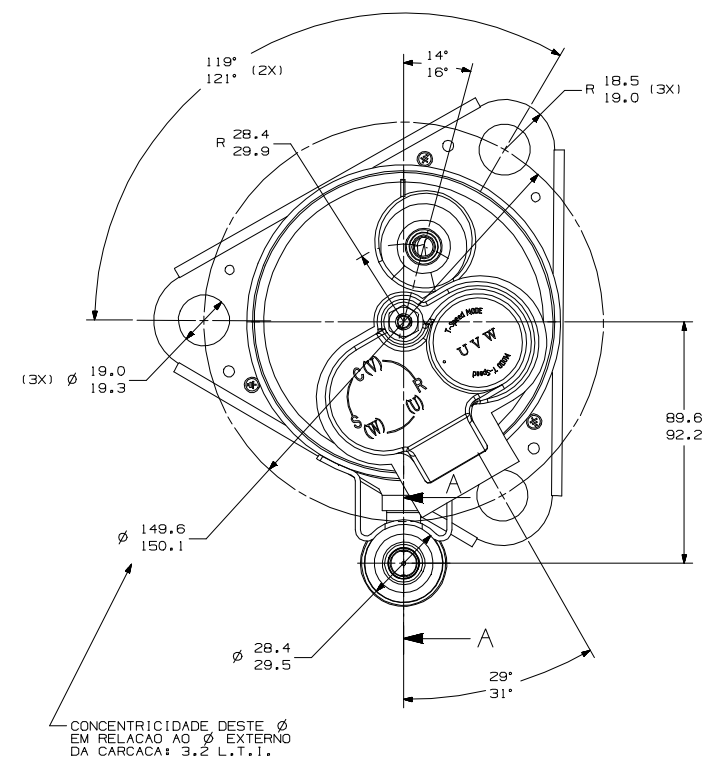
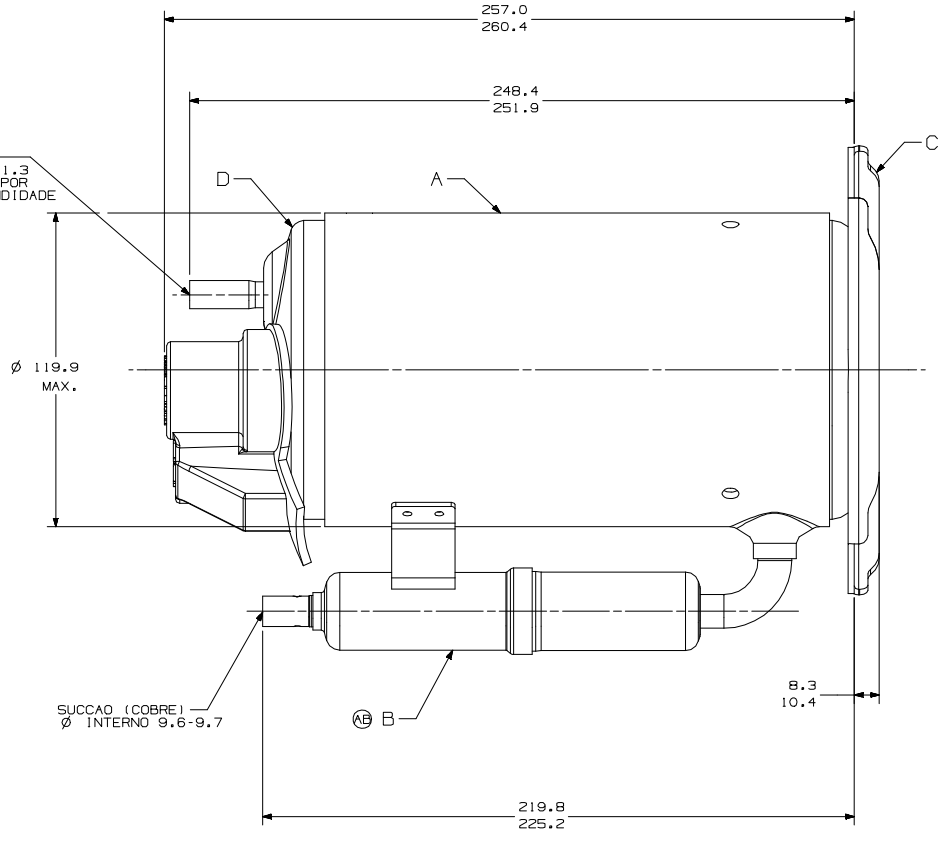


A	CARCACA COMPLETA	BRHA649-11	
B	ACUMULADOR	BRA12108-3	ⓂⓅ
C	SUPOORTE DE MONTAGEM	28823	
D	TAMPA SUPERIOR MONTADA	320-10666	ⓂⓅ
		BRHA706 (ALT 1)	
		320-10396 (ALT 2)	



ⓂⓅ CORTE A-A
ESCALA 2:1

DESCARGA (COBRE)
ESP. DA PAREDE 1.2-1.3
Ø INTERNO 8.0-8.2 POR
22.0-22.5 DE PROFUNDIDADE



<small>ED06075</small> <small>ED06076</small> <small>ED06077</small> <small>ED06078</small> <small>ED06079</small> <small>ED06080</small> <small>ED06081</small> <small>ED06082</small> <small>ED06083</small> <small>ED06084</small> <small>ED06085</small>	<small>ED06086</small> <small>ED06087</small> <small>ED06088</small> <small>ED06089</small> <small>ED06090</small> <small>ED06091</small> <small>ED06092</small> <small>ED06093</small> <small>ED06094</small> <small>ED06095</small>	<small>ED06096</small> <small>ED06097</small> <small>ED06098</small> <small>ED06099</small> <small>ED06100</small> <small>ED06101</small> <small>ED06102</small> <small>ED06103</small> <small>ED06104</small> <small>ED06105</small>	<small>ED06106</small> <small>ED06107</small> <small>ED06108</small> <small>ED06109</small> <small>ED06110</small> <small>ED06111</small> <small>ED06112</small> <small>ED06113</small> <small>ED06114</small> <small>ED06115</small>	<small>ED06116</small> <small>ED06117</small> <small>ED06118</small> <small>ED06119</small> <small>ED06120</small> <small>ED06121</small> <small>ED06122</small> <small>ED06123</small> <small>ED06124</small> <small>ED06125</small>	<small>ED06126</small> <small>ED06127</small> <small>ED06128</small> <small>ED06129</small> <small>ED06130</small> <small>ED06131</small> <small>ED06132</small> <small>ED06133</small> <small>ED06134</small> <small>ED06135</small>	<small>ED06136</small> <small>ED06137</small> <small>ED06138</small> <small>ED06139</small> <small>ED06140</small> <small>ED06141</small> <small>ED06142</small> <small>ED06143</small> <small>ED06144</small> <small>ED06145</small>	<small>ED06146</small> <small>ED06147</small> <small>ED06148</small> <small>ED06149</small> <small>ED06150</small> <small>ED06151</small> <small>ED06152</small> <small>ED06153</small> <small>ED06154</small>	<small>ED06155</small> <small>ED06156</small> <small>ED06157</small> <small>ED06158</small> <small>ED06159</small> <small>ED06160</small> <small>ED06161</small> <small>ED06162</small> <small>ED06163</small> <small>ED06164</small>	<small>ED06165</small> <small>ED06166</small> <small>ED06167</small> <small>ED06168</small> <small>ED06169</small> <small>ED06170</small> <small>ED06171</small> <small>ED06172</small> <small>ED06173</small> <small>ED06174</small>	<small>ED06175</small> <small>ED06176</small> <small>ED06177</small> <small>ED06178</small> <small>ED06179</small> <small>ED06180</small> <small>ED06181</small> <small>ED06182</small> <small>ED06183</small> <small>ED06184</small>	<small>ED06185</small> <small>ED06186</small> <small>ED06187</small> <small>ED06188</small> <small>ED06189</small> <small>ED06190</small> <small>ED06191</small> <small>ED06192</small> <small>ED06193</small> <small>ED06194</small>	<small>ED06195</small> <small>ED06196</small> <small>ED06197</small> <small>ED06198</small> <small>ED06199</small> <small>ED06200</small> <small>ED06201</small> <small>ED06202</small> <small>ED06203</small> <small>ED06204</small>	<small>ED06205</small> <small>ED06206</small> <small>ED06207</small> <small>ED06208</small> <small>ED06209</small> <small>ED06210</small> <small>ED06211</small> <small>ED06212</small> <small>ED06213</small> <small>ED06214</small>	<small>ED06215</small> <small>ED06216</small> <small>ED06217</small> <small>ED06218</small> <small>ED06219</small> <small>ED06220</small> <small>ED06221</small> <small>ED06222</small> <small>ED06223</small> <small>ED06224</small>	<small>ED06225</small> <small>ED06226</small> <small>ED06227</small> <small>ED06228</small> <small>ED06229</small> <small>ED06230</small> <small>ED06231</small> <small>ED06232</small> <small>ED06233</small> <small>ED06234</small>	<small>ED06235</small> <small>ED06236</small> <small>ED06237</small> <small>ED06238</small> <small>ED06239</small> <small>ED06240</small> <small>ED06241</small> <small>ED06242</small> <small>ED06243</small> <small>ED06244</small>	<small>ED06245</small> <small>ED06246</small> <small>ED06247</small> <small>ED06248</small> <small>ED06249</small> <small>ED06250</small> <small>ED06251</small> <small>ED06252</small> <small>ED06253</small> <small>ED06254</small>
<small>UNIDADE: mm</small> <small>FORMAÇÃO: AT</small>												<small>PROJETO: P0100</small> <small>PROJETO: P0101</small> <small>PROJETO: P0102</small> <small>PROJETO: P0103</small> <small>PROJETO: P0104</small> <small>PROJETO: P0105</small> <small>PROJETO: P0106</small> <small>PROJETO: P0107</small> <small>PROJETO: P0108</small> <small>PROJETO: P0109</small> <small>PROJETO: P0110</small>	<small>NOME: COMPRESSOR PARA VENDAS</small> <small>DESENHO: ALEXSANDRO</small> <small>DATA: 28/04/04</small>	<small>APPROVAÇÃO: A. ZANATTA</small> <small>VERIFICADO: SCHIAYONE</small> <small>REF:</small>	<small>ESCALA: 1:1</small> <small>FOLHA: 1/1</small> <small>FAMÍLIA: RG</small>	<small>NÚMERO: DCRG501</small>	