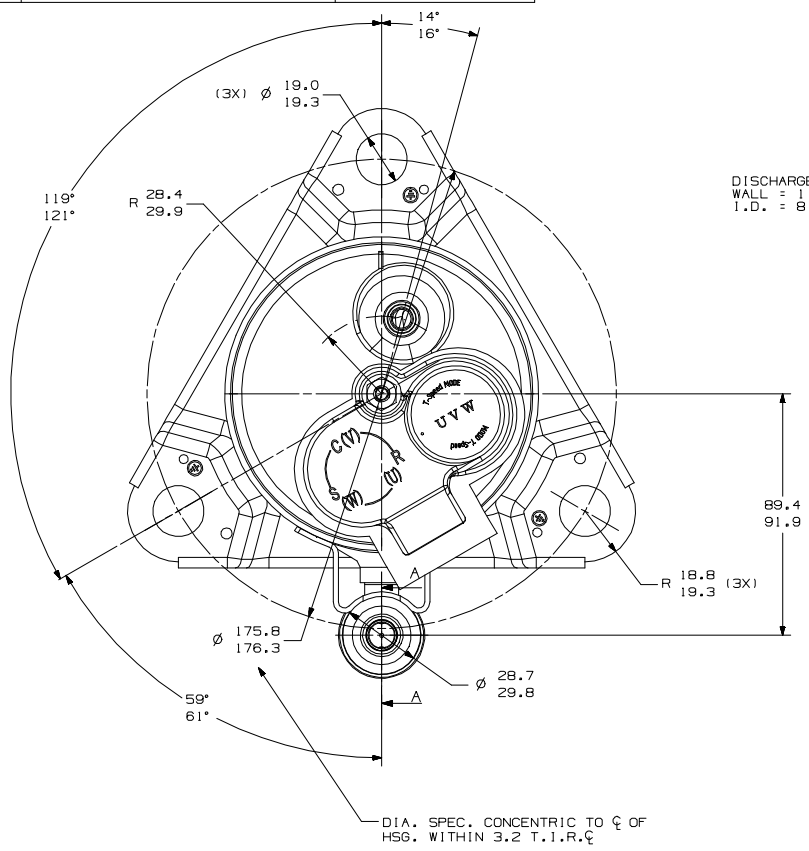
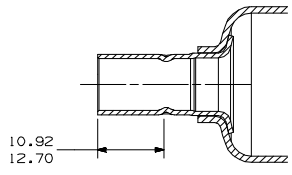
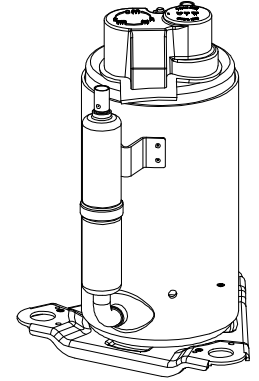
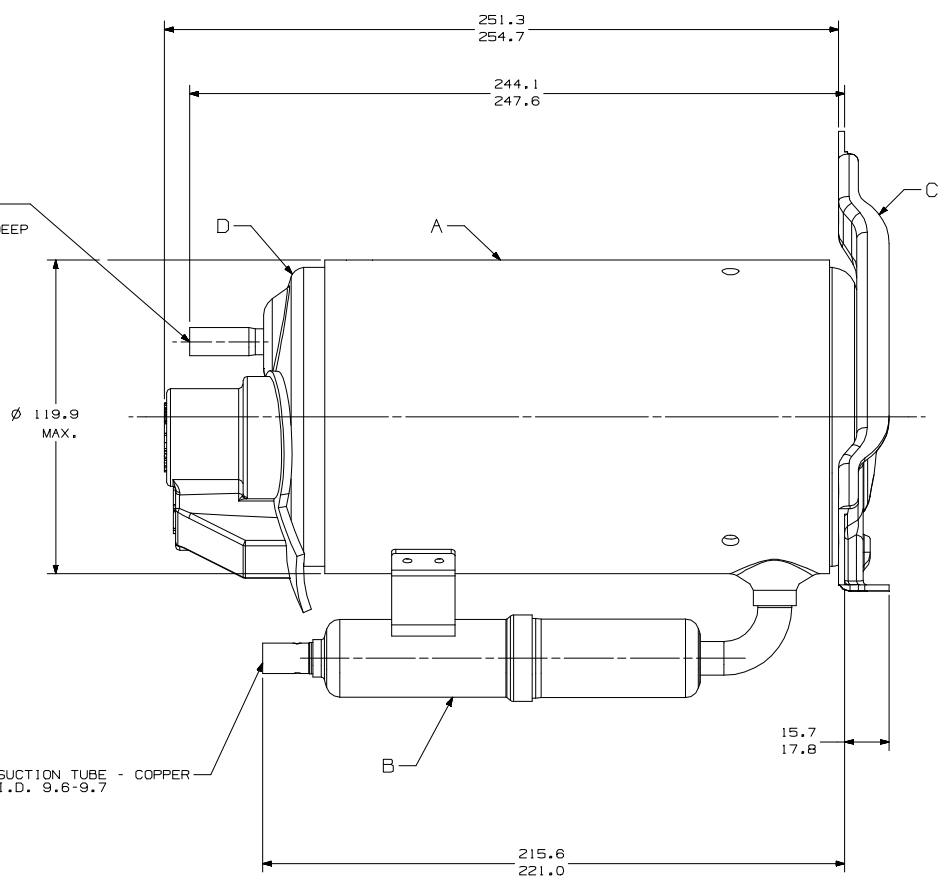


A	HOUSING ASS'Y	BRHA649-11
B	ACCUMULATOR	BRA12108-3
C	MOUNTING PLATE	28822
D	TOP CAP ASSEMBLY	320-10666
		BRHA706 (ALT 1)
		320-10396 (ALT 2)



DISCHARGE TUBE - (COPPER)
 WALL = 1.2-1.3
 I.D. = 8.0-8.2 (22.0-22.5) DEEP

SUCTION TUBE - COPPER
 I.D. 9.6-9.7



SECTION A-A
 SCALE 2:1

KIT 4,5,6

ED8065 05-09-15 CDMC MS		EB8100 15-02-18 CDMC MS		EC7186 01-08-18 CDMC MS		EC7186 01-08-18 CDMC MS		EC7186 01-08-18 CDMC MS	
AC-HG	TIPO DE COMPRESSOR	AB-BB	ACRESSENTADO	MM	LIBERACAO	LT	LC	LV	LV
UNITS: mm DRAWING SIZE: A1 PRESSURE: 28-32 PSI CATEGORY I CATEGORY II CATEGORY III CATEGORY IV									
NAME: SALES COMPRESSOR PART NO.: DCRG531		DATE: 11/05/16 REF.:		APPR.: WALTER CORREA SCALE: 1:1 PAGE: 1/1		FAMILY: RG		TECUMSEH	