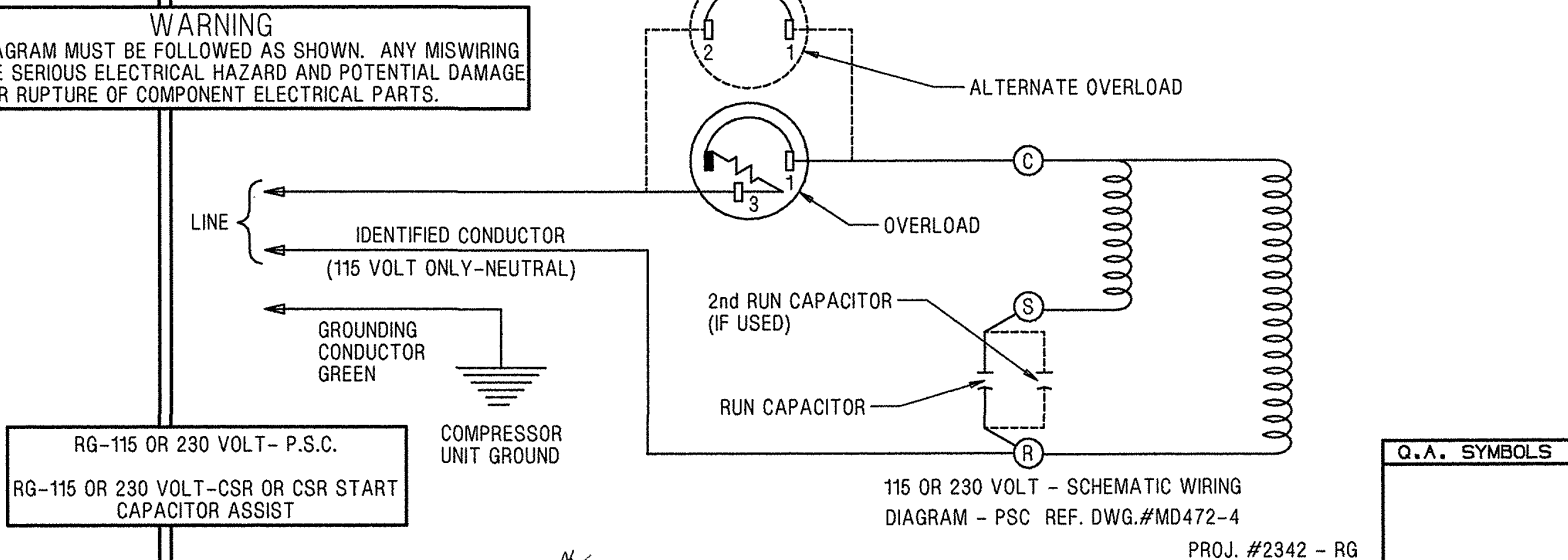
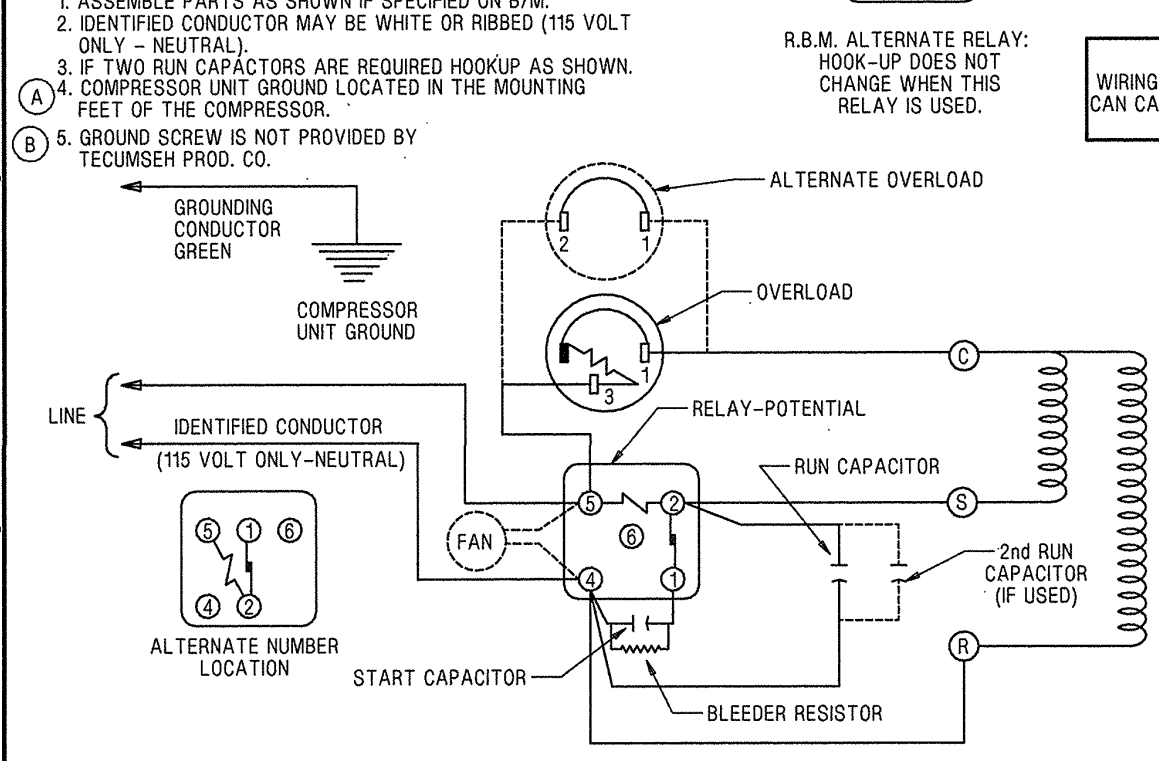


- NOTE:
1. ASSEMBLE PARTS AS SHOWN IF SPECIFIED ON B/M.
 2. IDENTIFIED CONDUCTOR MAY BE WHITE OR RIBBED (115 VOLT ONLY - NEUTRAL).
 3. IF TWO RUN CAPACITORS ARE REQUIRED HOOKUP AS SHOWN.
 - (A) 4. COMPRESSOR UNIT GROUND LOCATED IN THE MOUNTING FEET OF THE COMPRESSOR.
 - (B) 5. GROUND SCREW IS NOT PROVIDED BY TECUMSEH PROD. CO.

WARNING
 WIRING DIAGRAM MUST BE FOLLOWED AS SHOWN. ANY MISWIRING CAN CAUSE SERIOUS ELECTRICAL HAZARD AND POTENTIAL DAMAGE OR RUPTURE OF COMPONENT ELECTRICAL PARTS.



115 OR 230 VOLT - SCHEMATIC WIRING DIAGRAM - PSC REF. DWG.#MD472-4
 PROJ. #2342 - RG

REF. DWG. #MD472-35

115 OR 230 VOLT - SCHEMATIC WIRING DIAGRAM CSR OR CSR START CAPACITOR ASSIST

RG-115 OR 230 VOLT - P.S.C.
 RG-115 OR 230 VOLT - CSR OR CSR START CAPACITOR ASSIST

LT	LC	CHANGE	DATE	DESCRIPTION
			4/10/97	S.J.S. ADDED NOTE 5
				ADDED NOTE 4
				#228417-217

DIS. CODE	NAME	ELECTRICAL HOOKUP	
345	DWN. A.S.C. 6/3/94	CK. M. DUGHEZ 4-15-97	APR. BLANDEN
MATERIAL		TECUMSEH PRODUCTS CO. TECUMSEH, MICHIGAN	
INTERNAL USE ONLY		UGIDISK6;SHERMANRG-DERGO1CB-C.PRT	

Q.A. SYMBOLS

THIS PRINT SUPERSEDES ALL PRINTS PRIOR TO

PART NO. DERG1